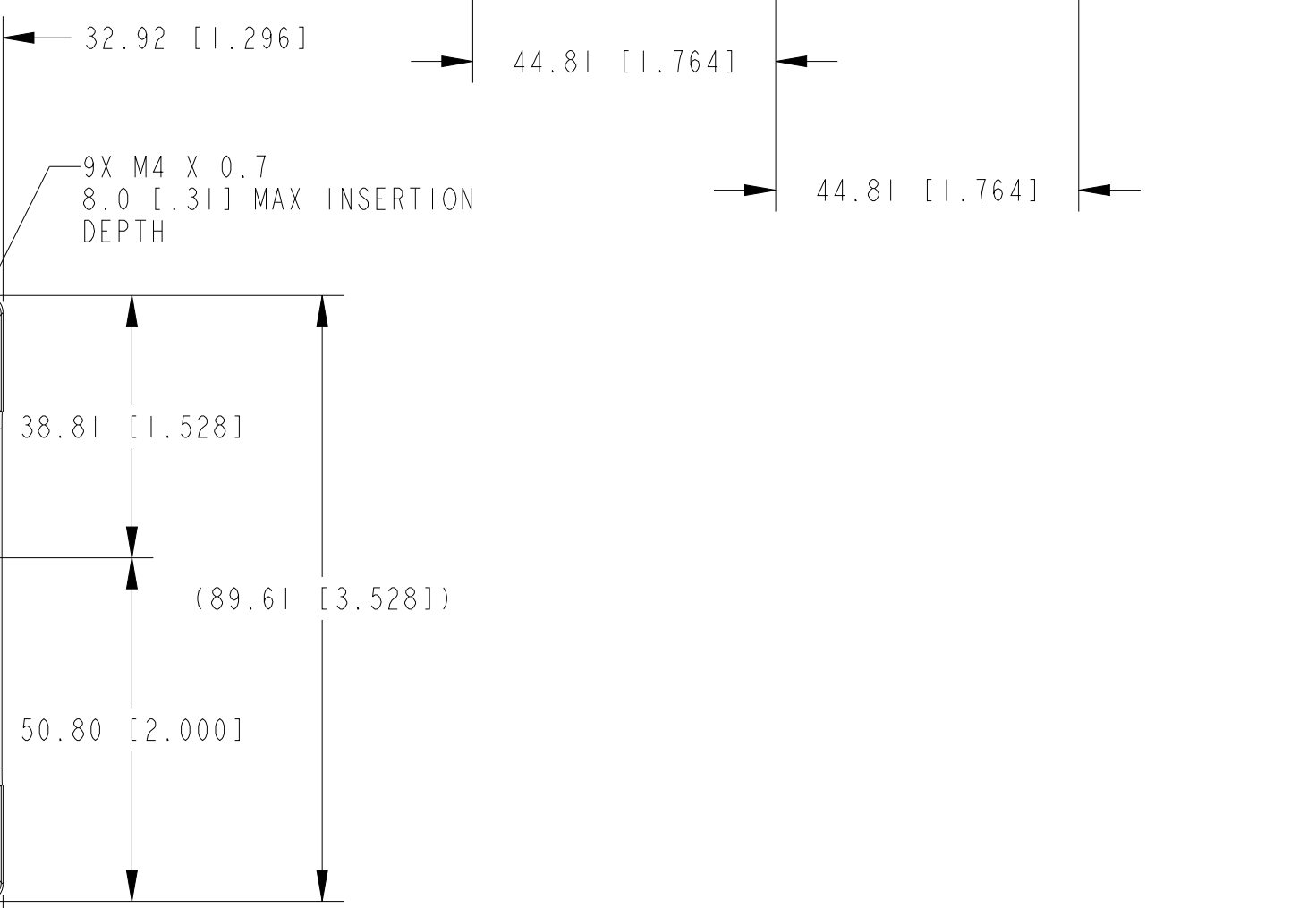
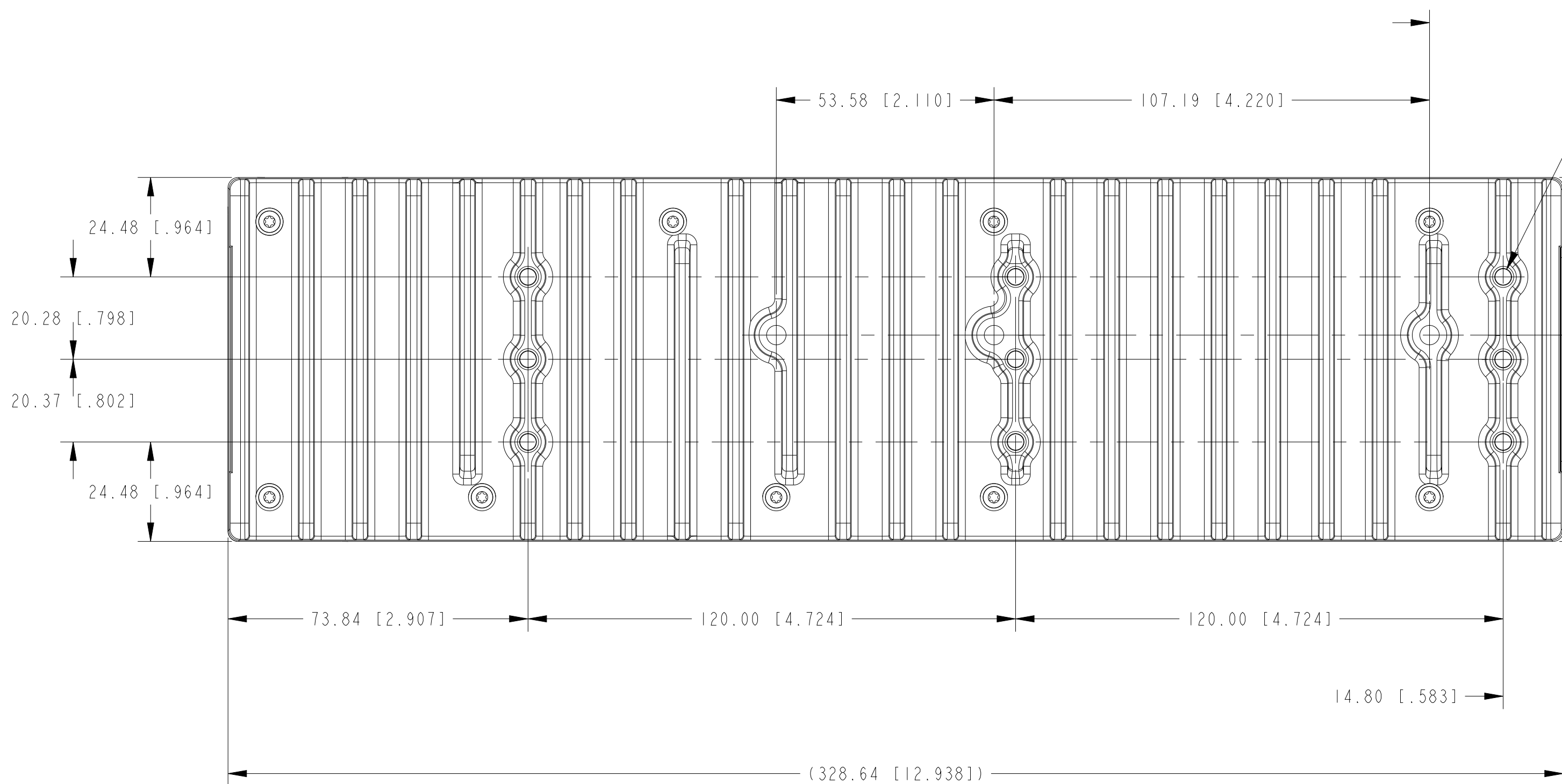
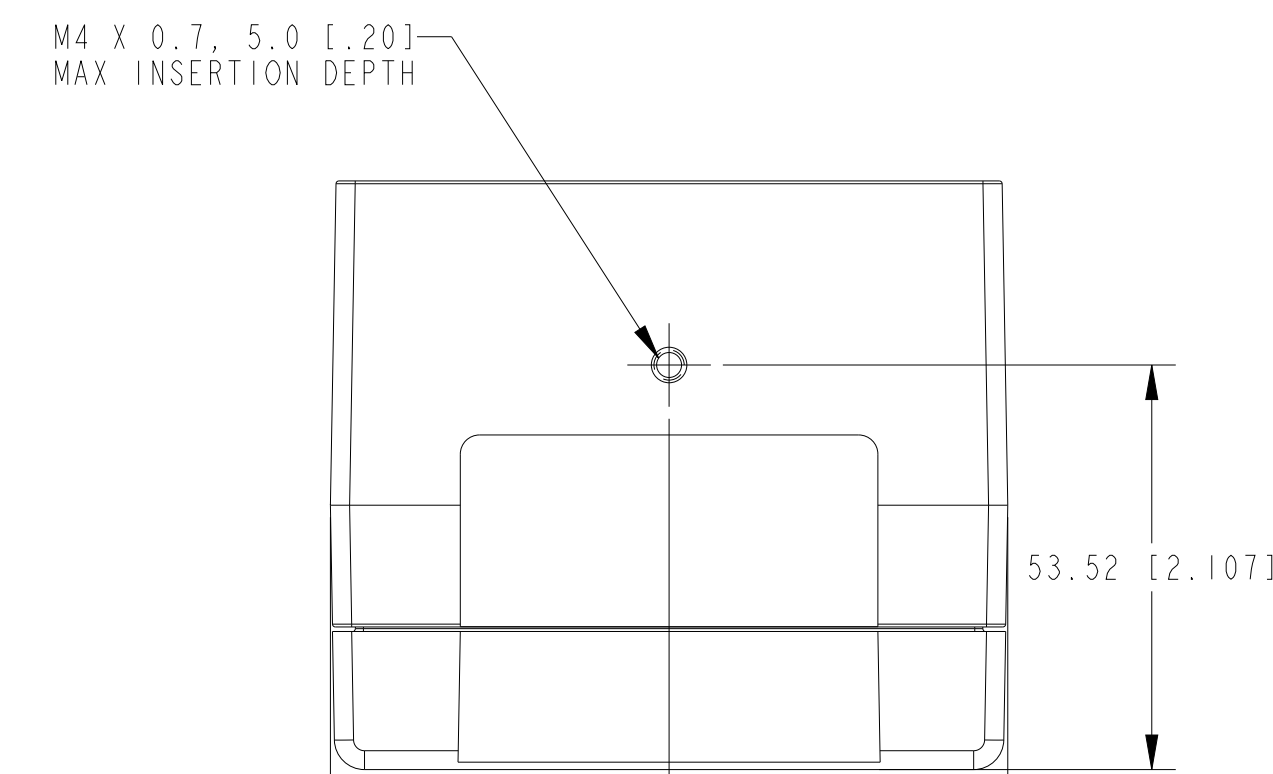
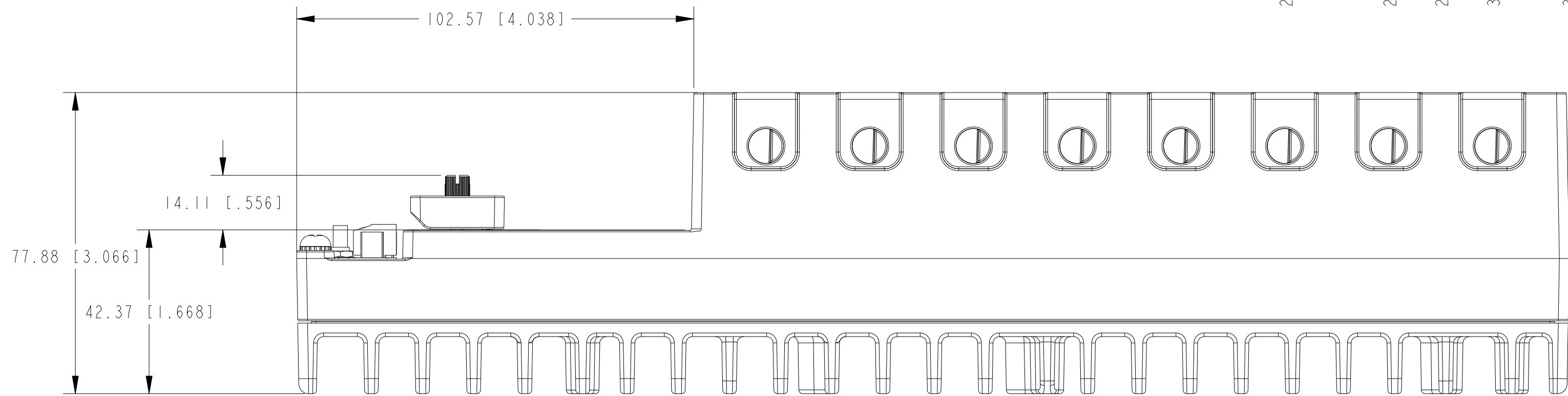
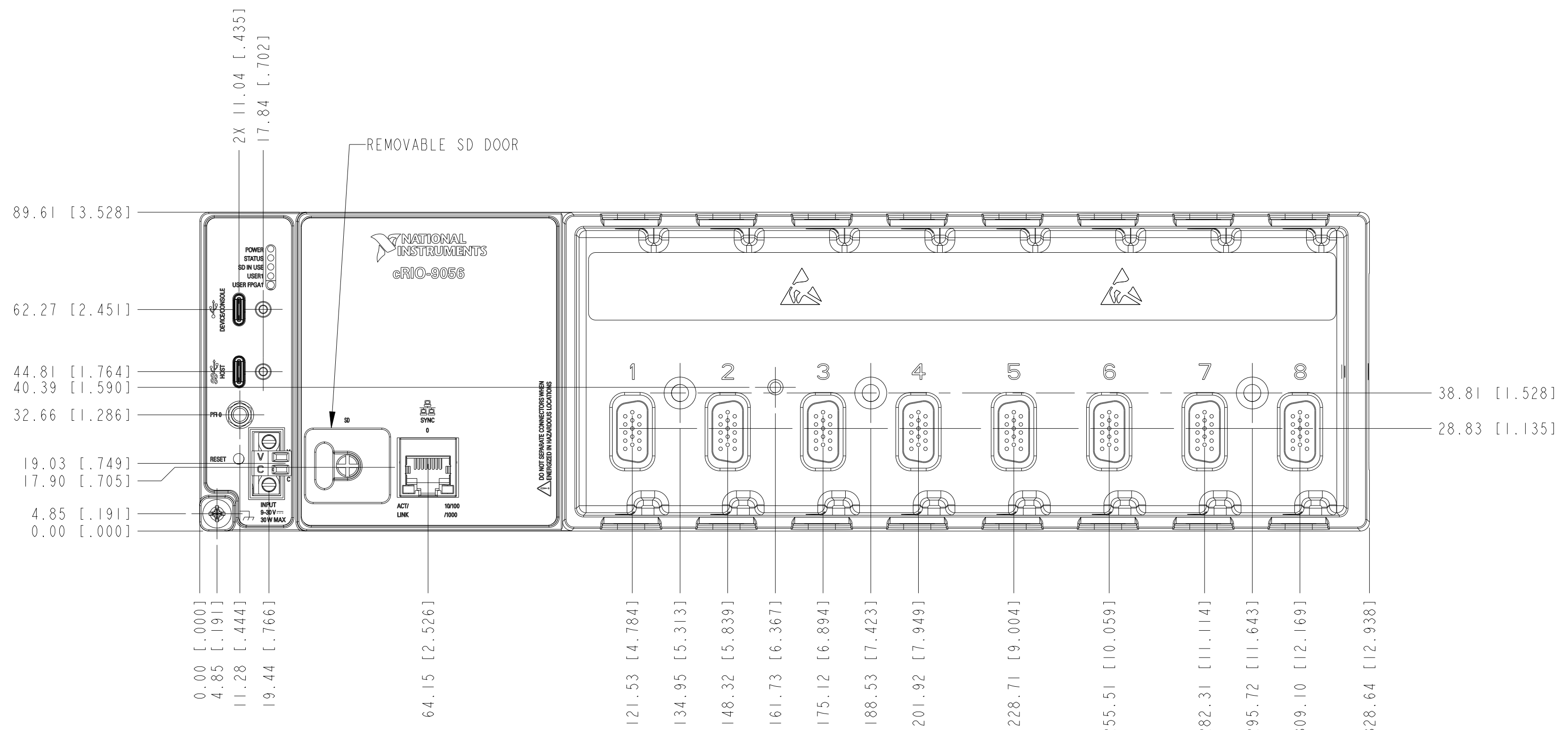


ISOMETRIC VIEW
 SCALE 3/4



3. DIMENSIONS IN () ARE FOR REFERENCE ONLY.
 2. ALL DIMENSIONS SHOWN ARE SPECIFIED FROM THE LARGEST PART OF THE DRAFTED FEATURE. FOR ADDITIONAL INFORMATION, PLEASE REFER TO THE 3D MODELS.
 1. REFER TO PRODUCT MANUAL ON NI.COM FOR MORE DETAILS
 NOTES: UNLESS OTHERWISE SPECIFIED.

METRIC UNLESS OTHERWISE SPECIFIED DIMENSIONS ARE IN MILLIMETERS AND [INCHES] DO NOT SCALE DRAWING THIRD ANGLE PROJECTION 	CUSTOMER DRAWING	
	AUSTIN, TEXAS TITLE cRIO-9056	
	SIZE CODE IDENT NO./MM/DD/YYYY D7U296 09/04/2018	SCALE: 1/1 SHEET 1 OF 1 CU-CRIO-9056