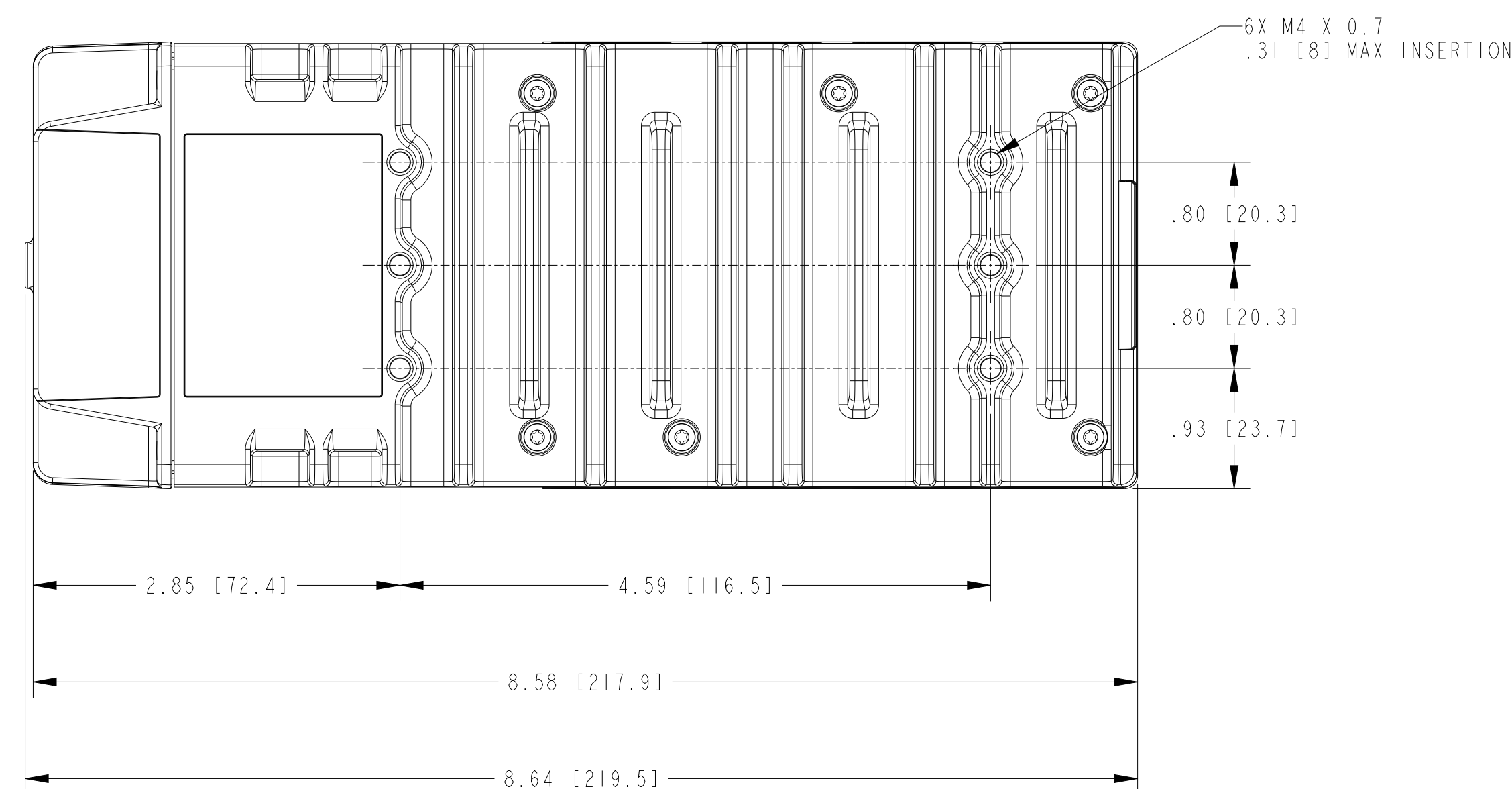
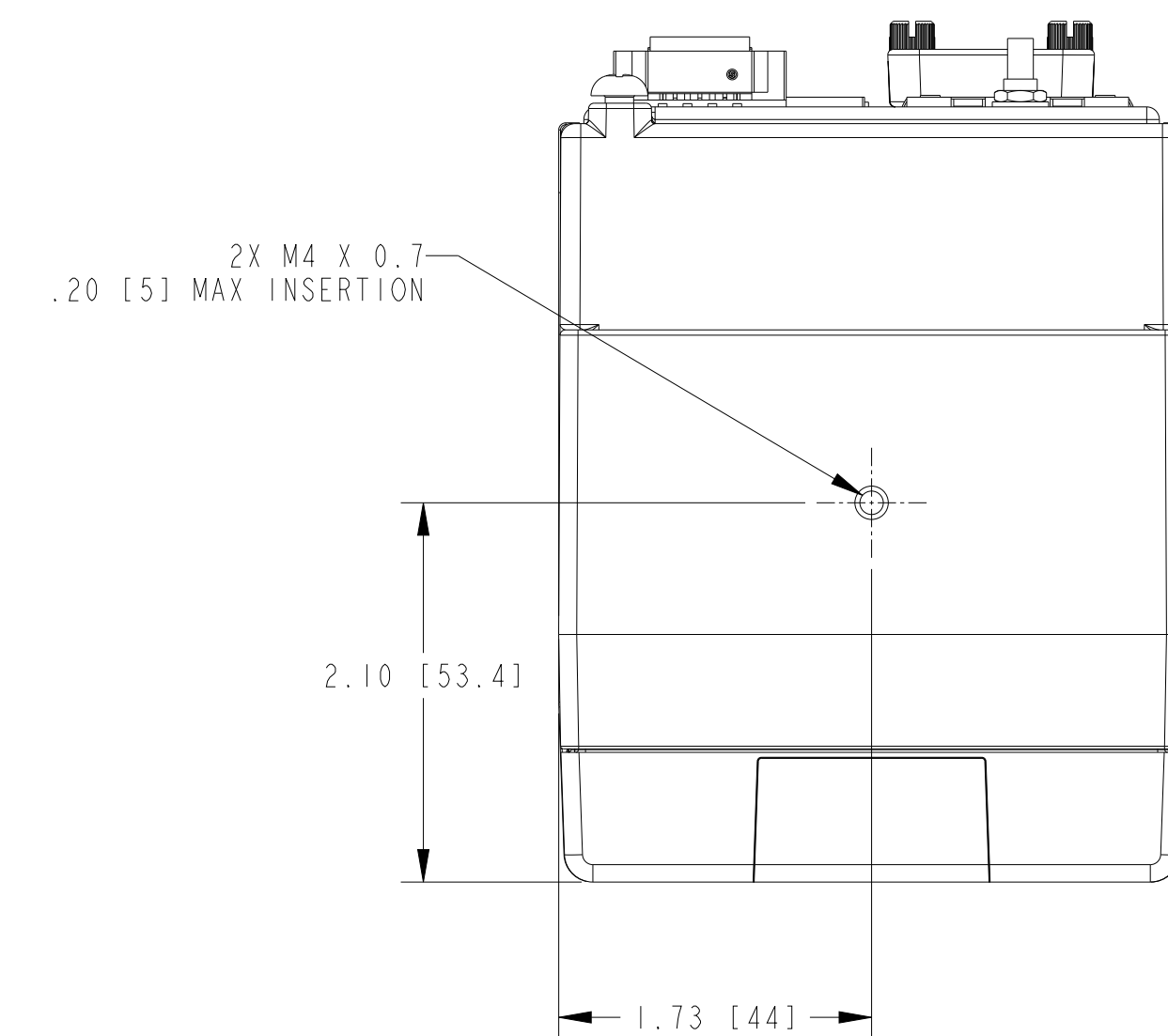
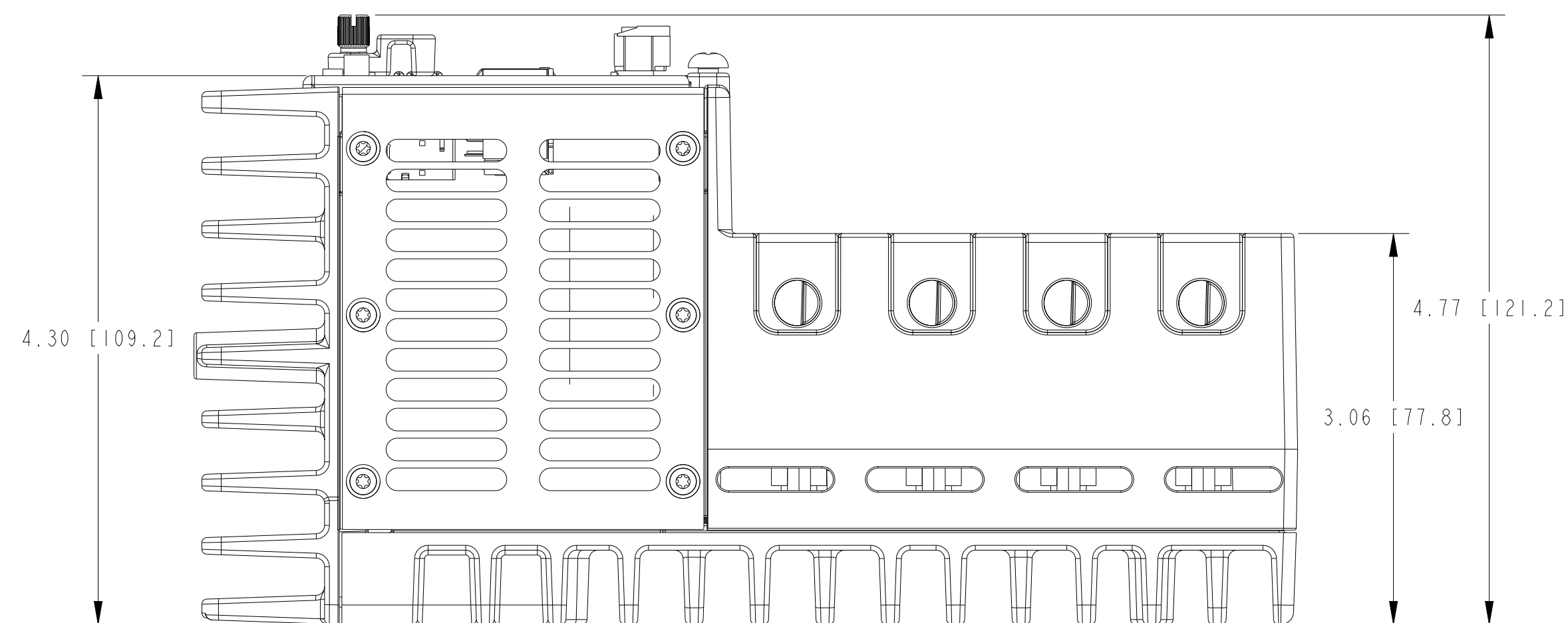
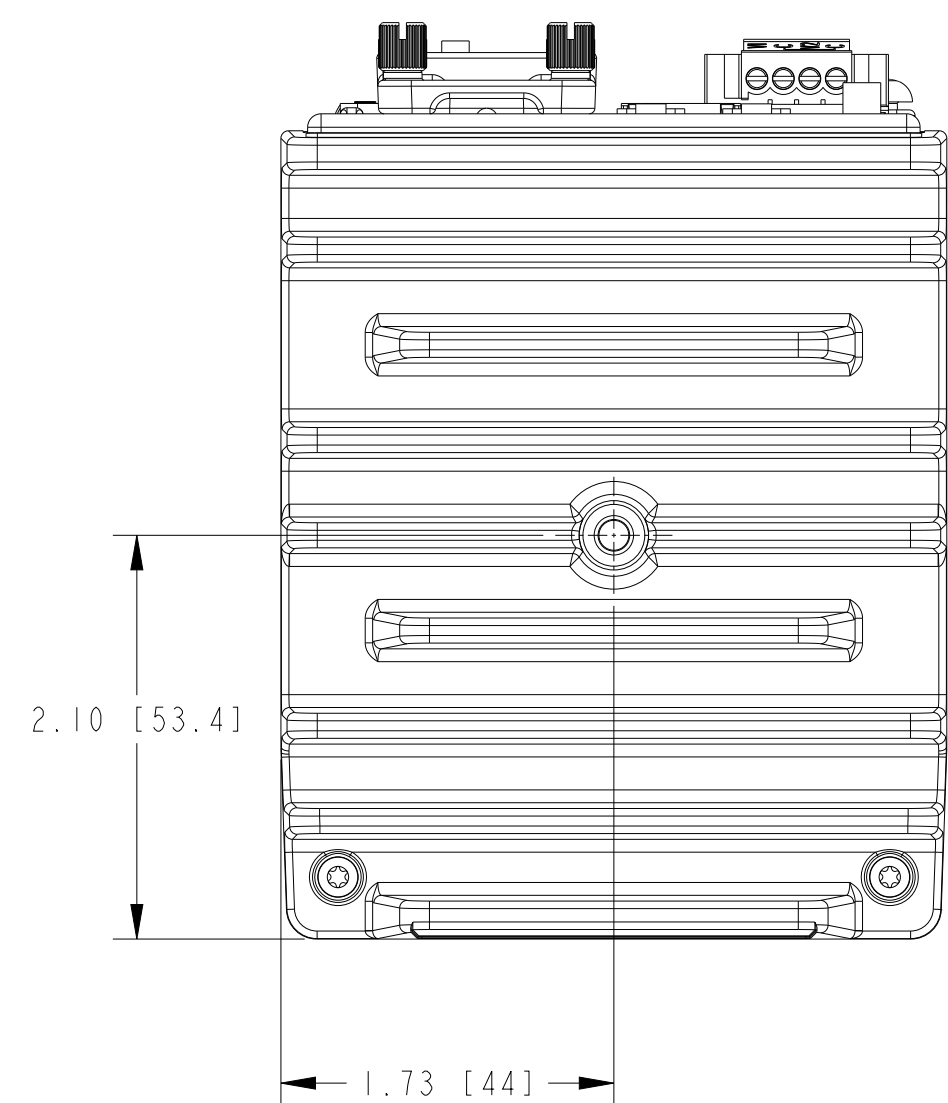
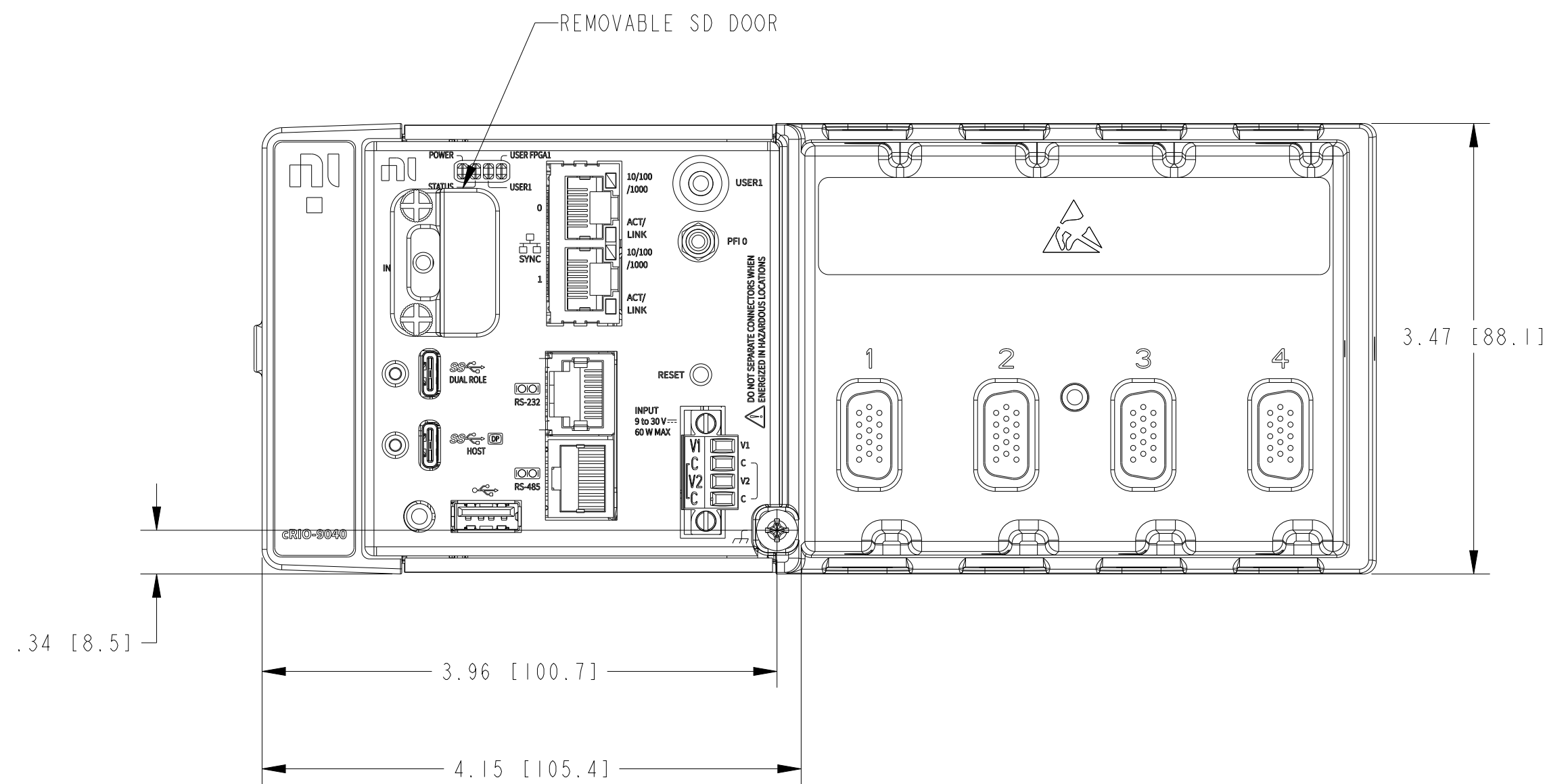


ISOMETRIC VIEW
 SCALE 3/4



NOTES: UNLESS OTHERWISE SPECIFIED.

CUSTOMER DRAWING

UNLESS OTHERWISE SPECIFIED DIMENSIONS ARE IN INCHES AND [MILLIMETERS].

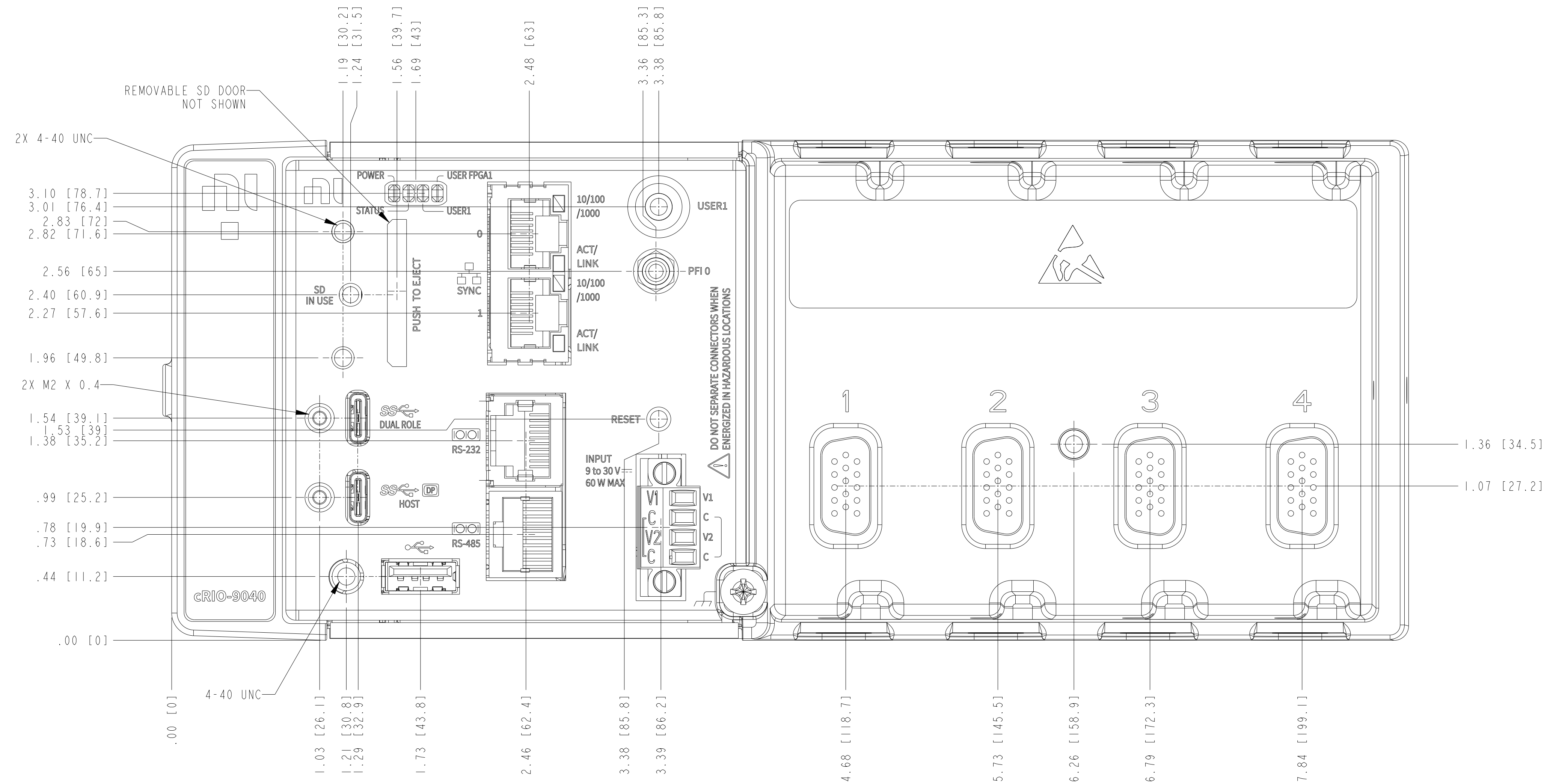
NI .COM
 AUSTIN, TEXAS

DO NOT SCALE DRAWING
 THIRD ANGLE PROJECTION

TITLE
 cRIO-9040, 9041, 9042, 9043

SIZE CODE IDENT NO. MM/DD/YYYY
 D7U296 12/22/2025

SCALE: 1/1 SHEET 1 OF 2
 CU-CRIO-904X.4SL



SCALE 2/1