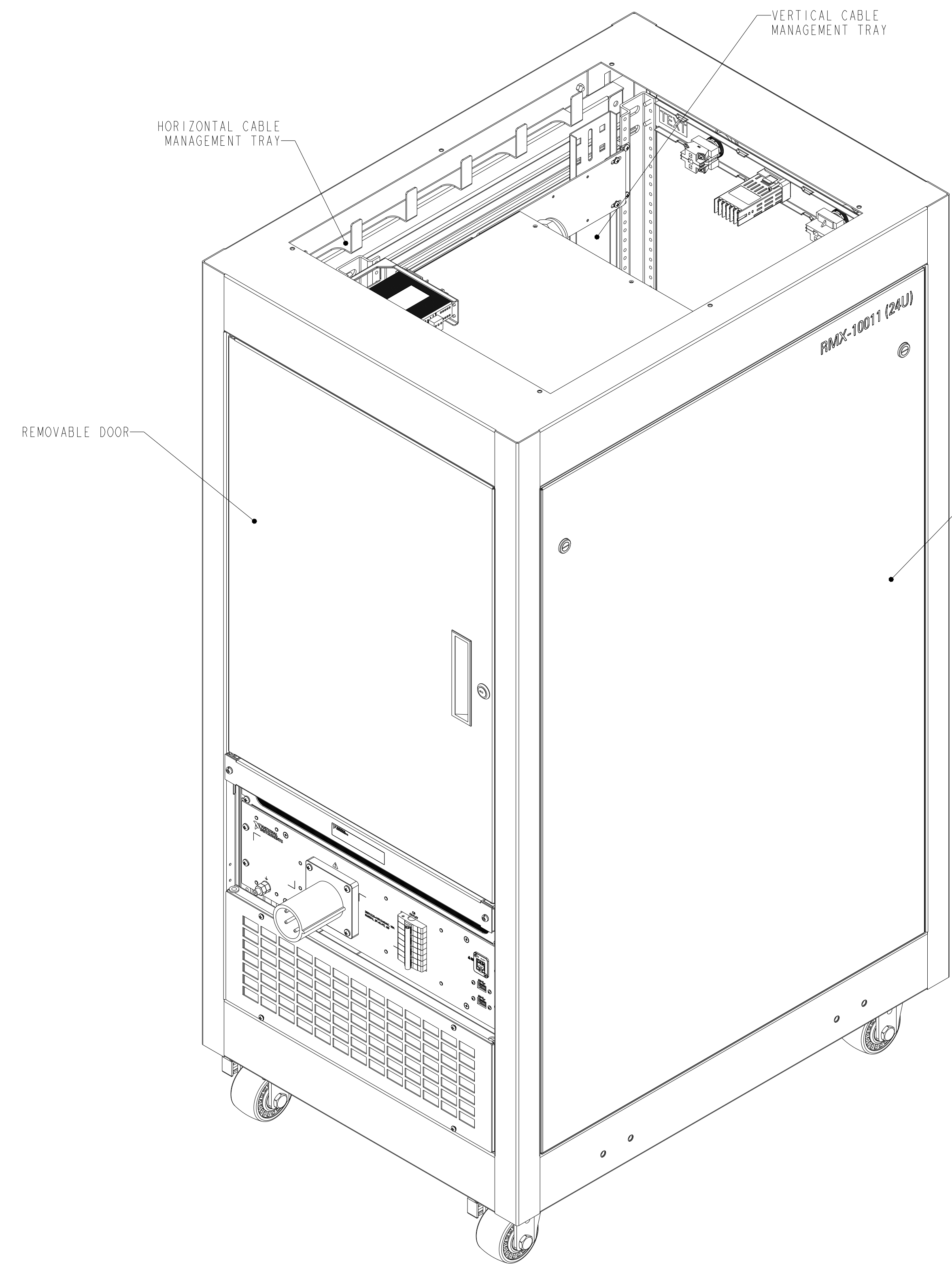


REMOVABLE SIDE PANEL



24U HIGH POWER
 RACK SHOWN

1. REFER TO PRODUCT MANUAL ON NI.COM FOR MORE DETAILS
 NOTES: UNLESS OTHERWISE SPECIFIED.

UNLESS OTHERWISE SPECIFIED
 DIMENSIONS ARE IN INCHES AND
 (MILLIMETERS).

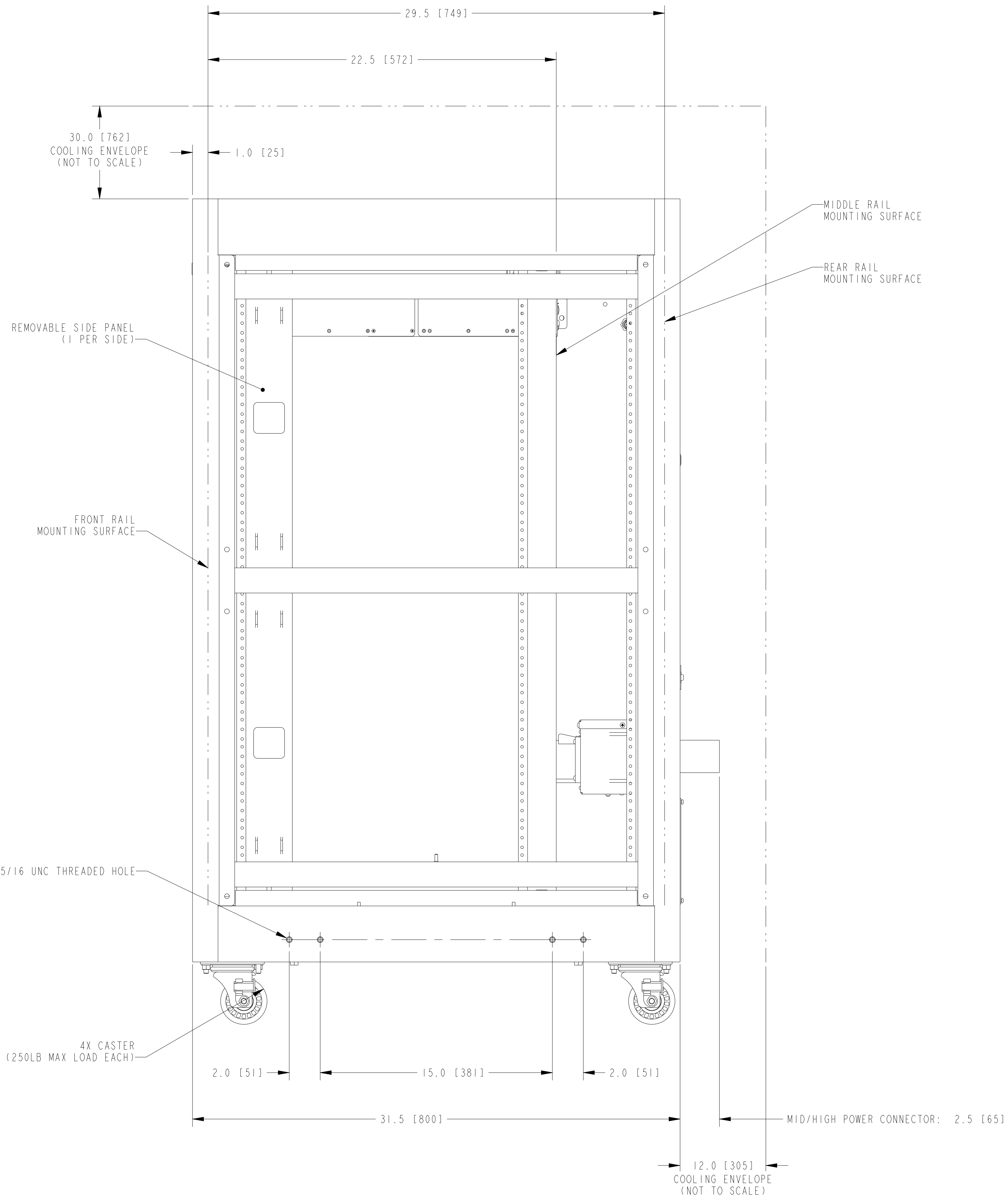
DO NOT SCALE DRAWING
 THIRD ANGLE PROJECTION

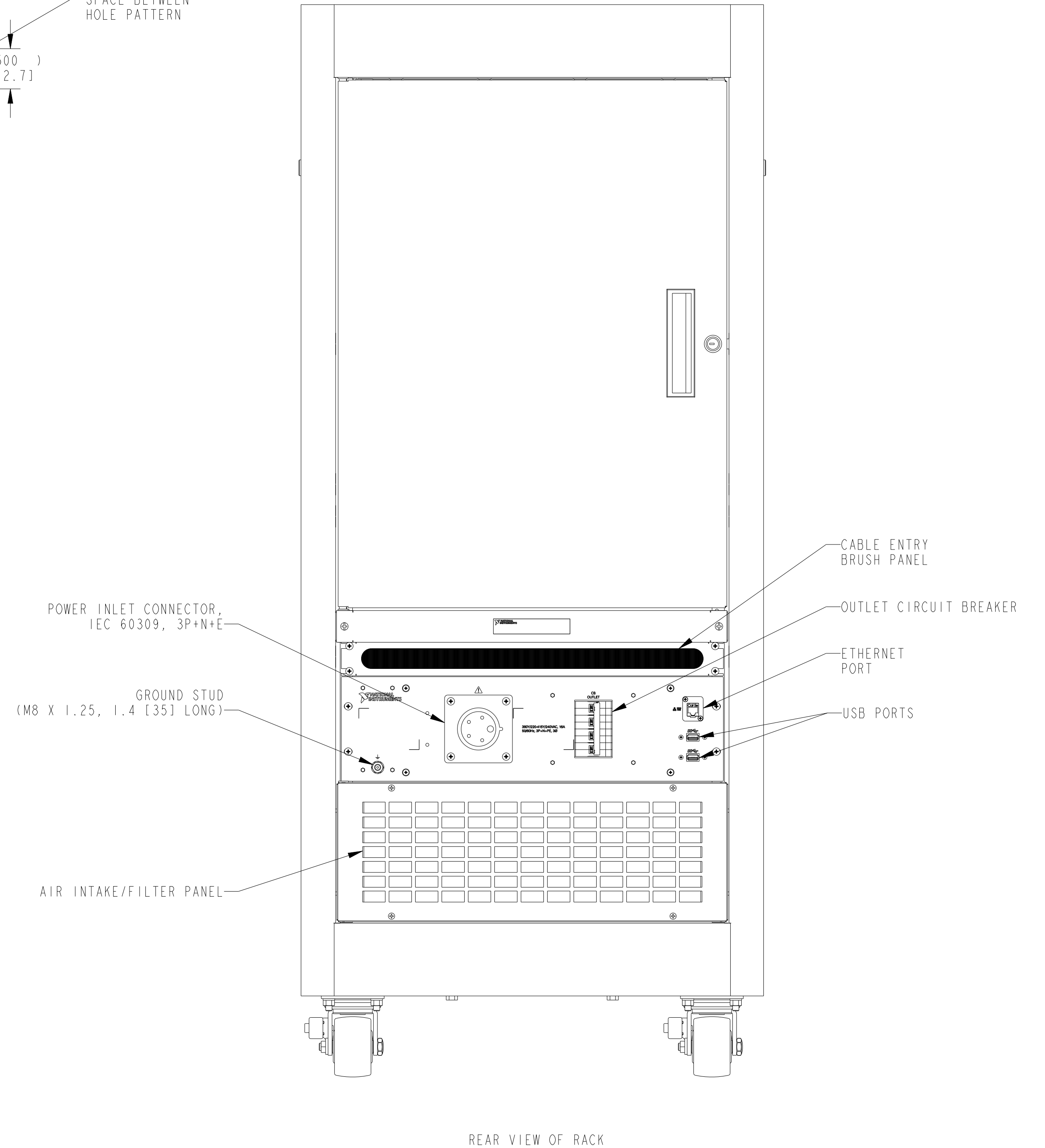
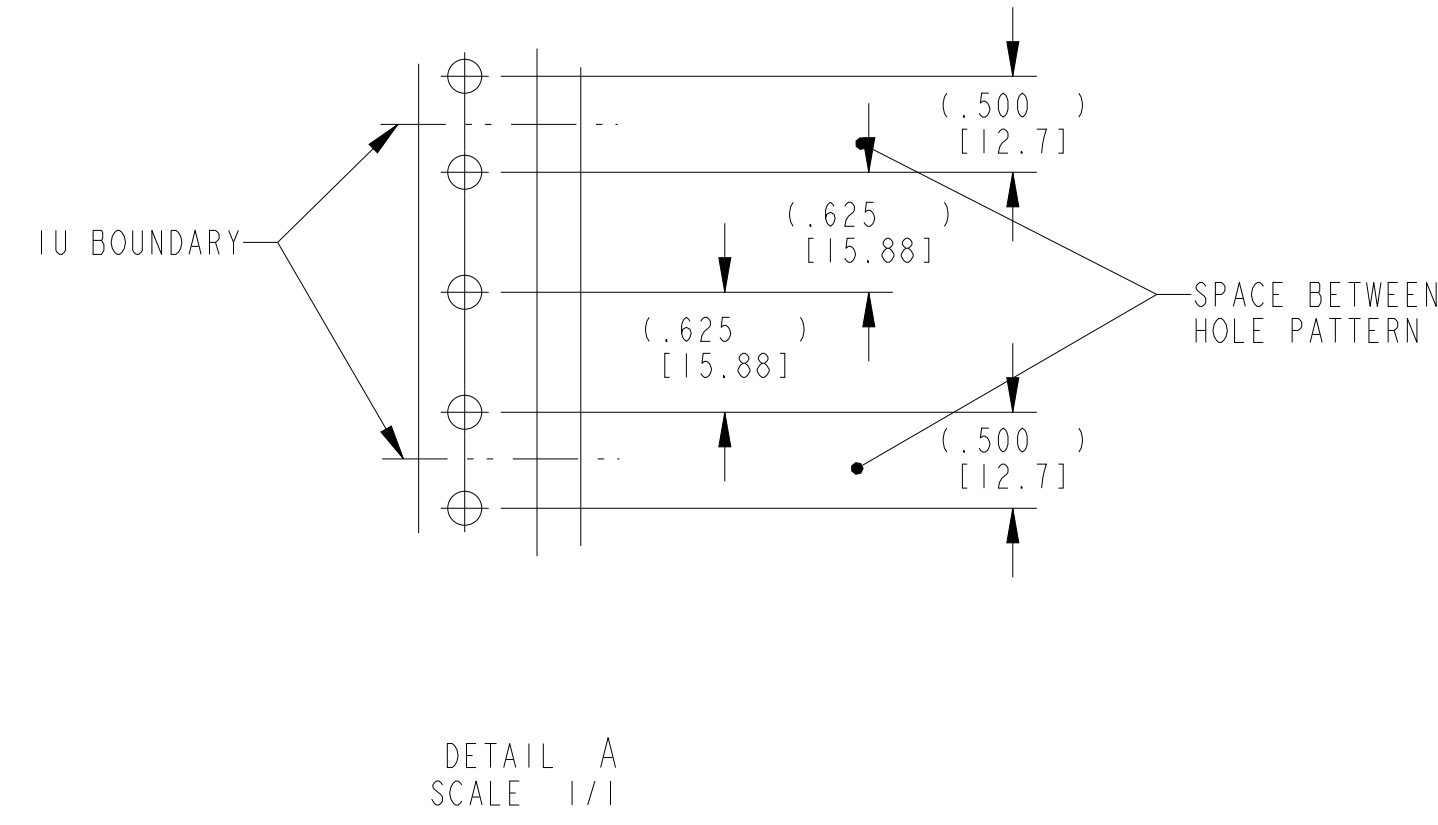
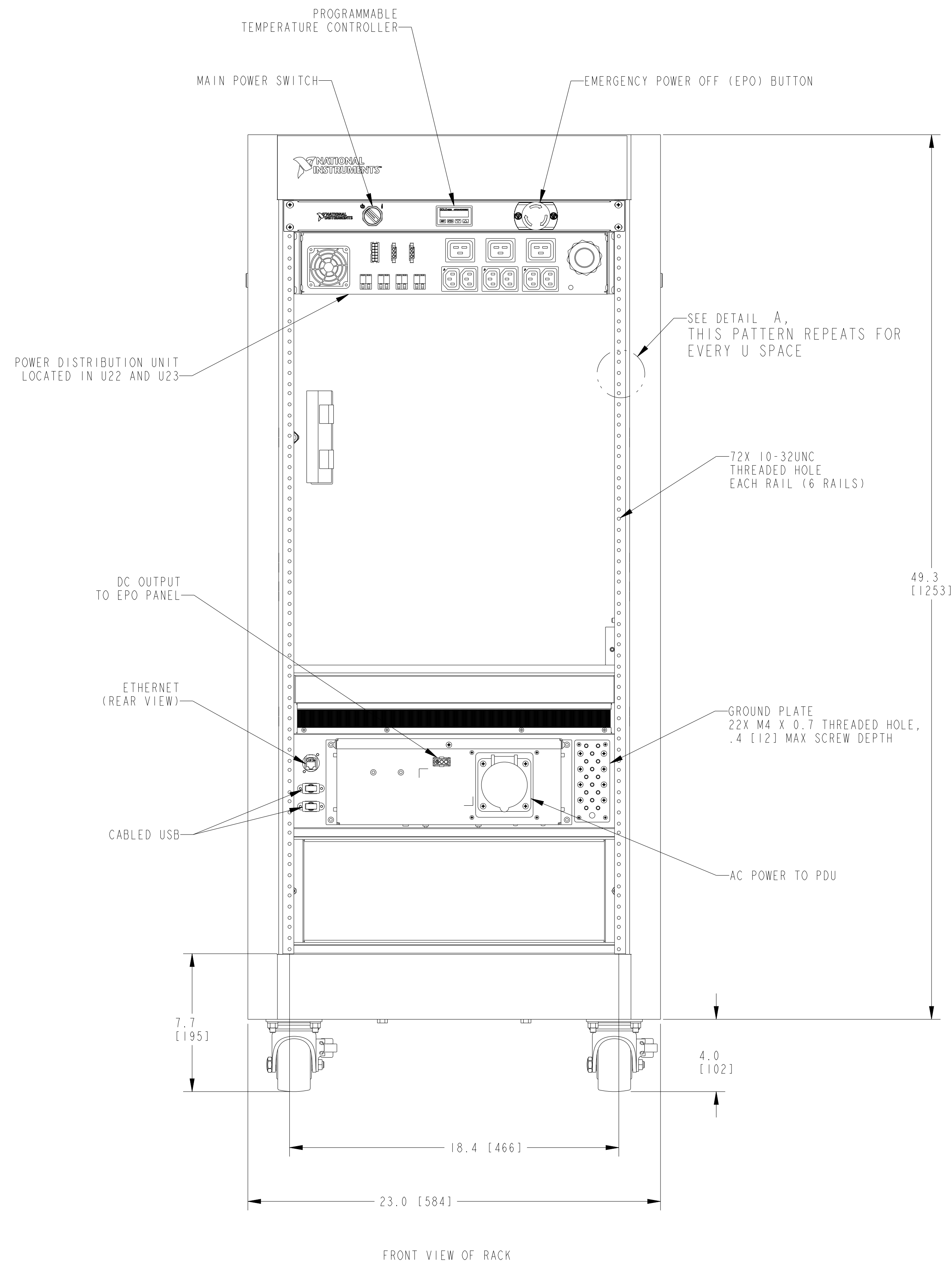
NATIONAL INSTRUMENTS® AUSTIN, TEXAS

TITLE
 CORE CONFIGURATIONS,
 ALL VERSIONS, ATE

SIZE CODE IDENT NO. MM/DD/YYYY
 D 7U296 10/07/2020

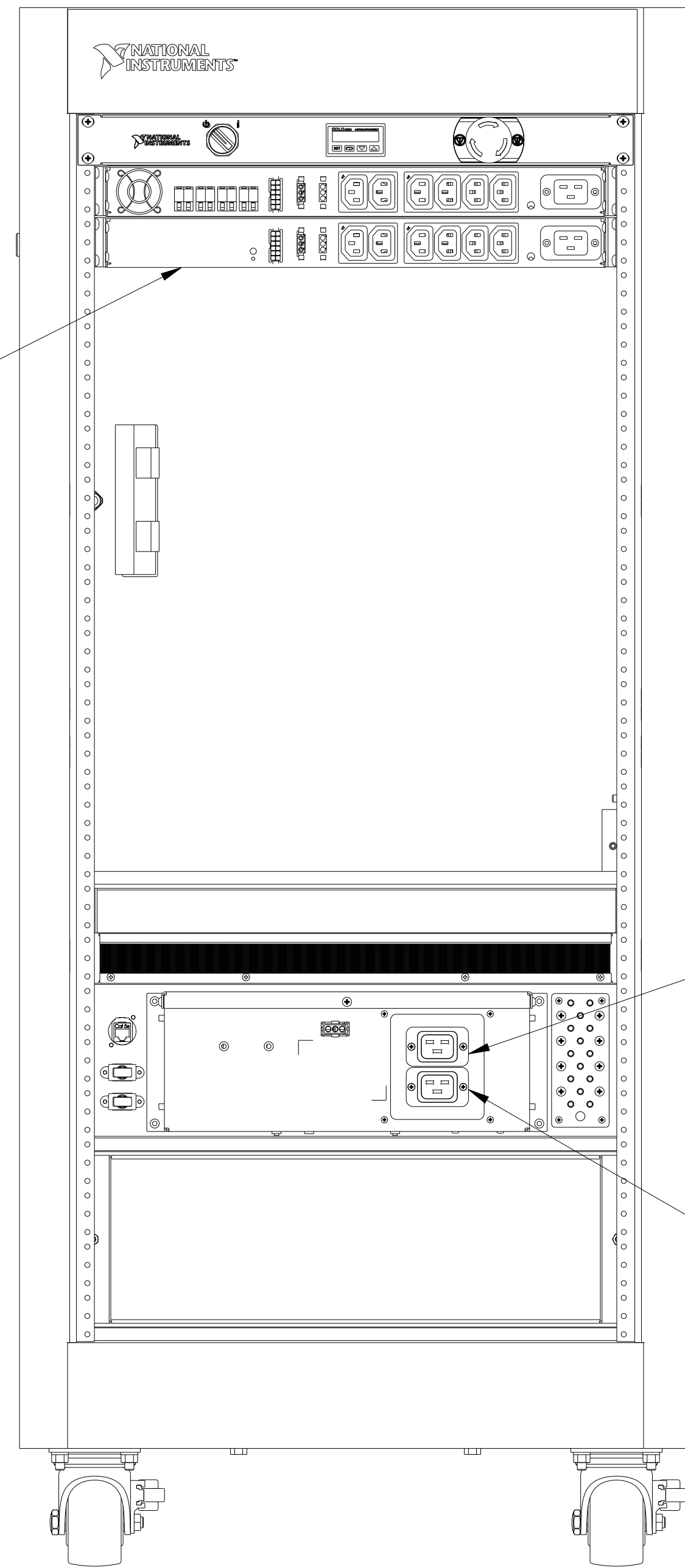
SCALE: 1/4 SHEET 1 OF 7
 CU_CORE_CONFIG.ALL.VERSIONS





24U HIGH POWER CONFIGURATION

2X POWER DISTRIBUTION UNIT
LOCATED IN U22 AND U23

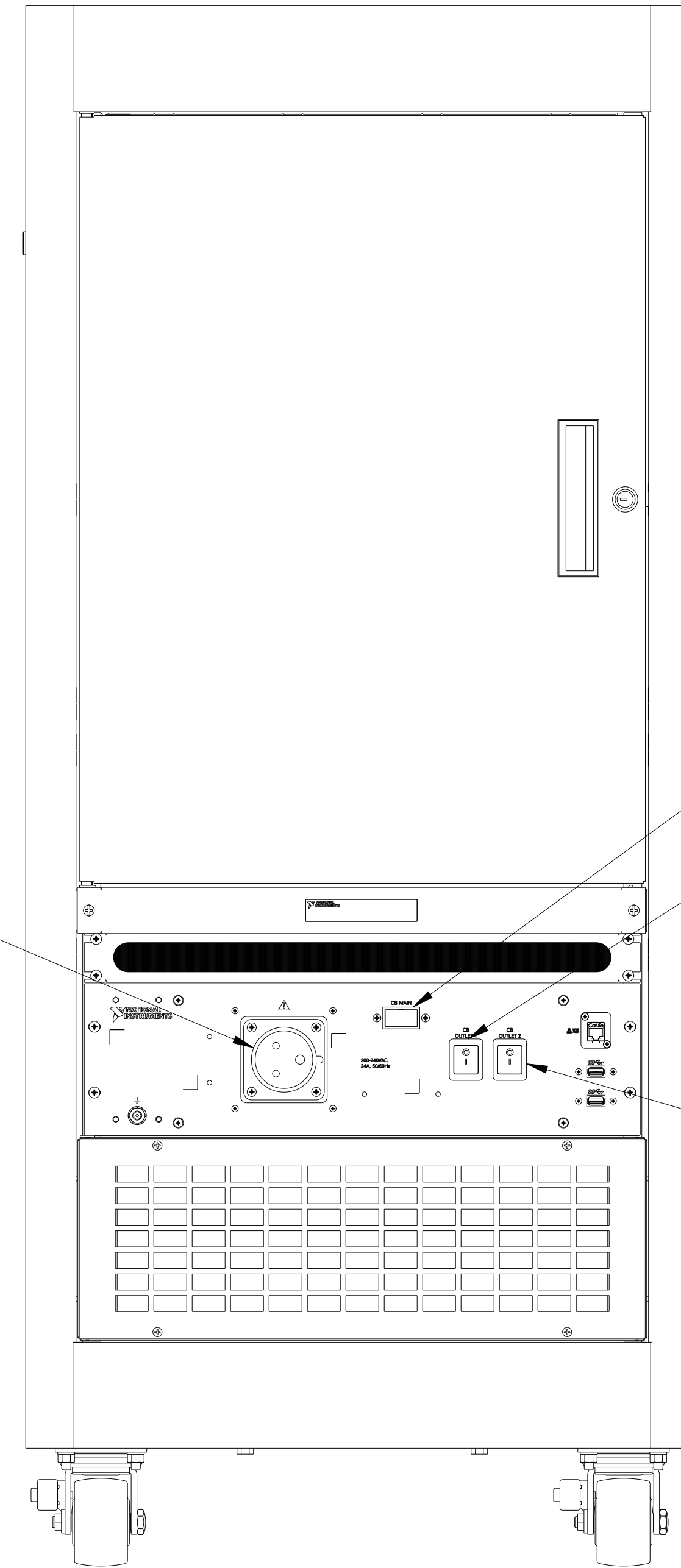


FRONT VIEW OF RACK

AC POWER OUTLET TO
PDU 1

AC POWER OUTLET TO
PDU 2

POWER INLET CONNECTOR,
IEC 60309, 2P+E



REAR VIEW OF RACK

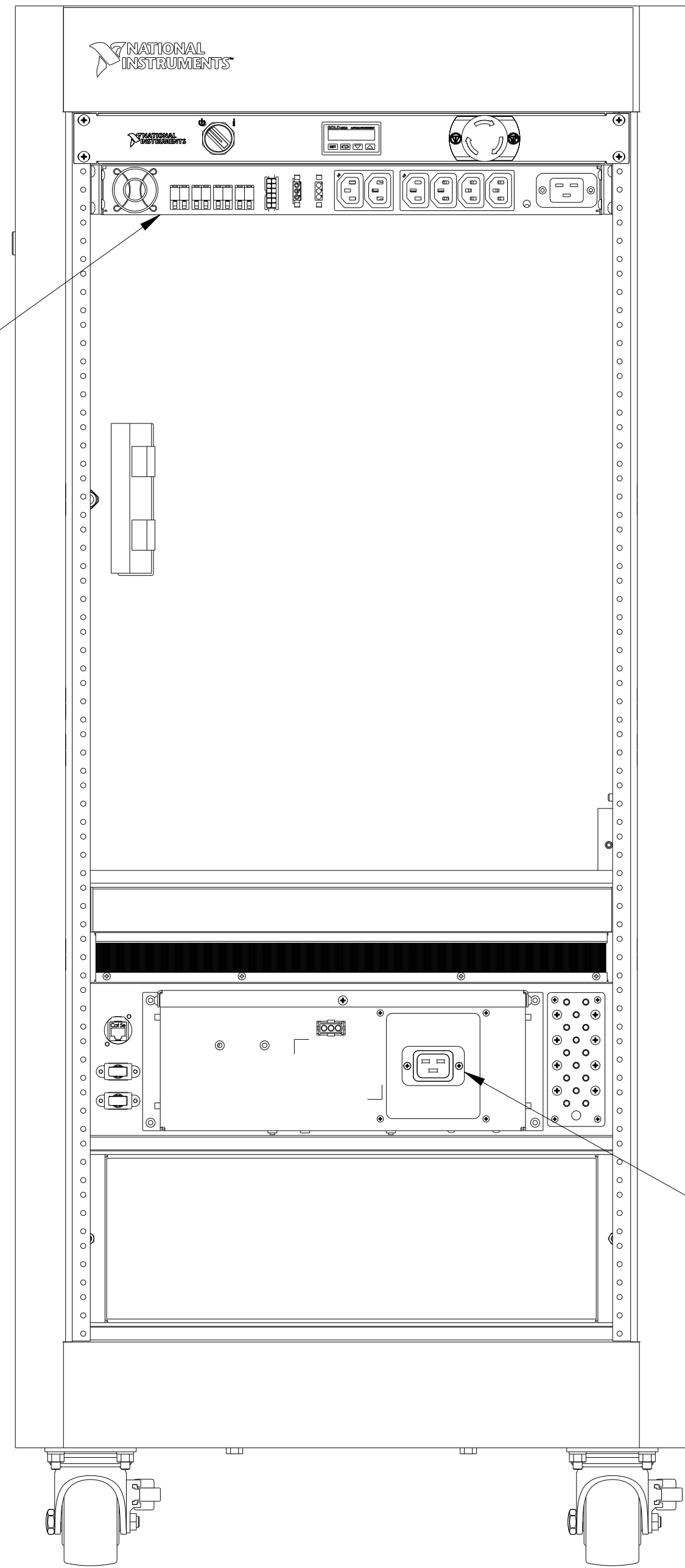
MAIN CIRCUIT BREAKER

OUTLET 1
CIRCUIT BREAKER

OUTLET 2
CIRCUIT BREAKER

24U MID POWER CONFIGURATION

POWER DISTRIBUTION UNIT
LOCATED IN U23

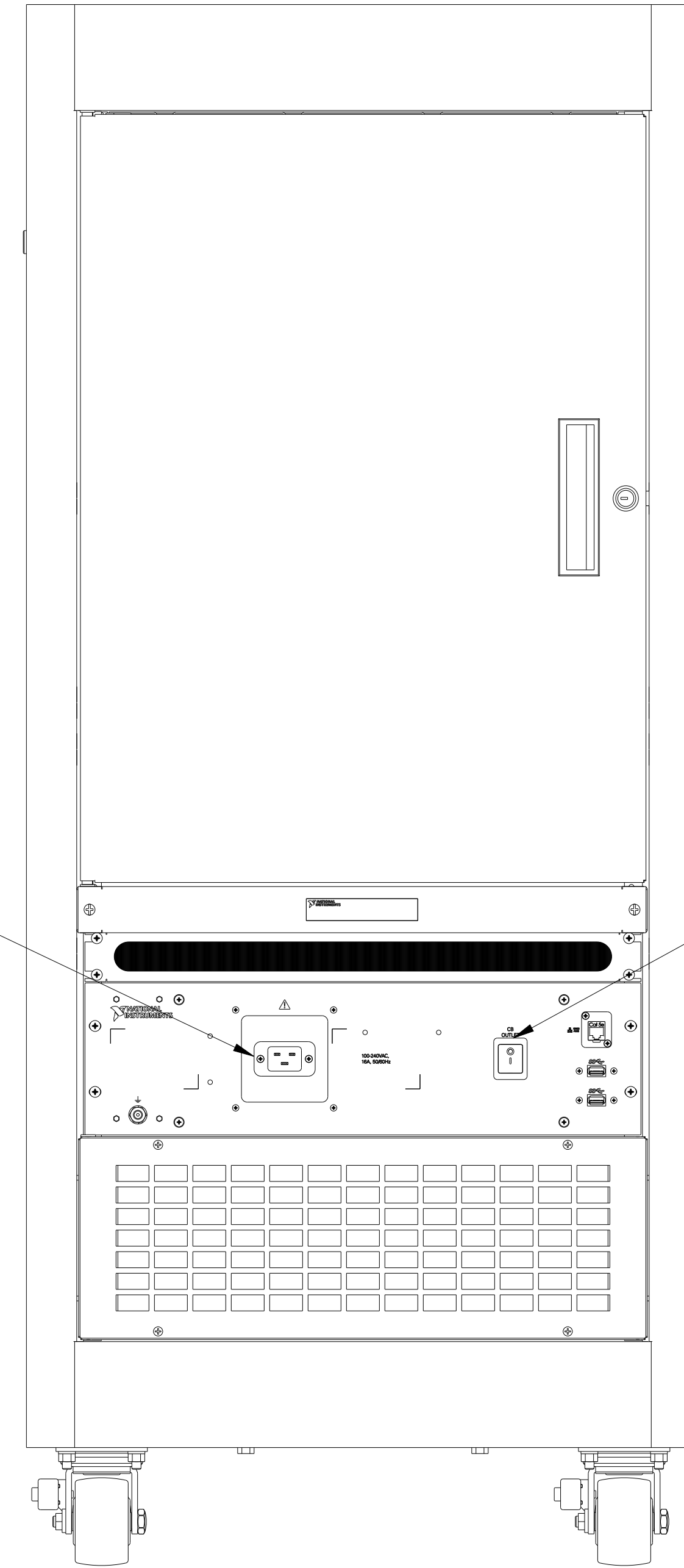


FRONT VIEW OF RACK

OUTPUT CONNECTOR

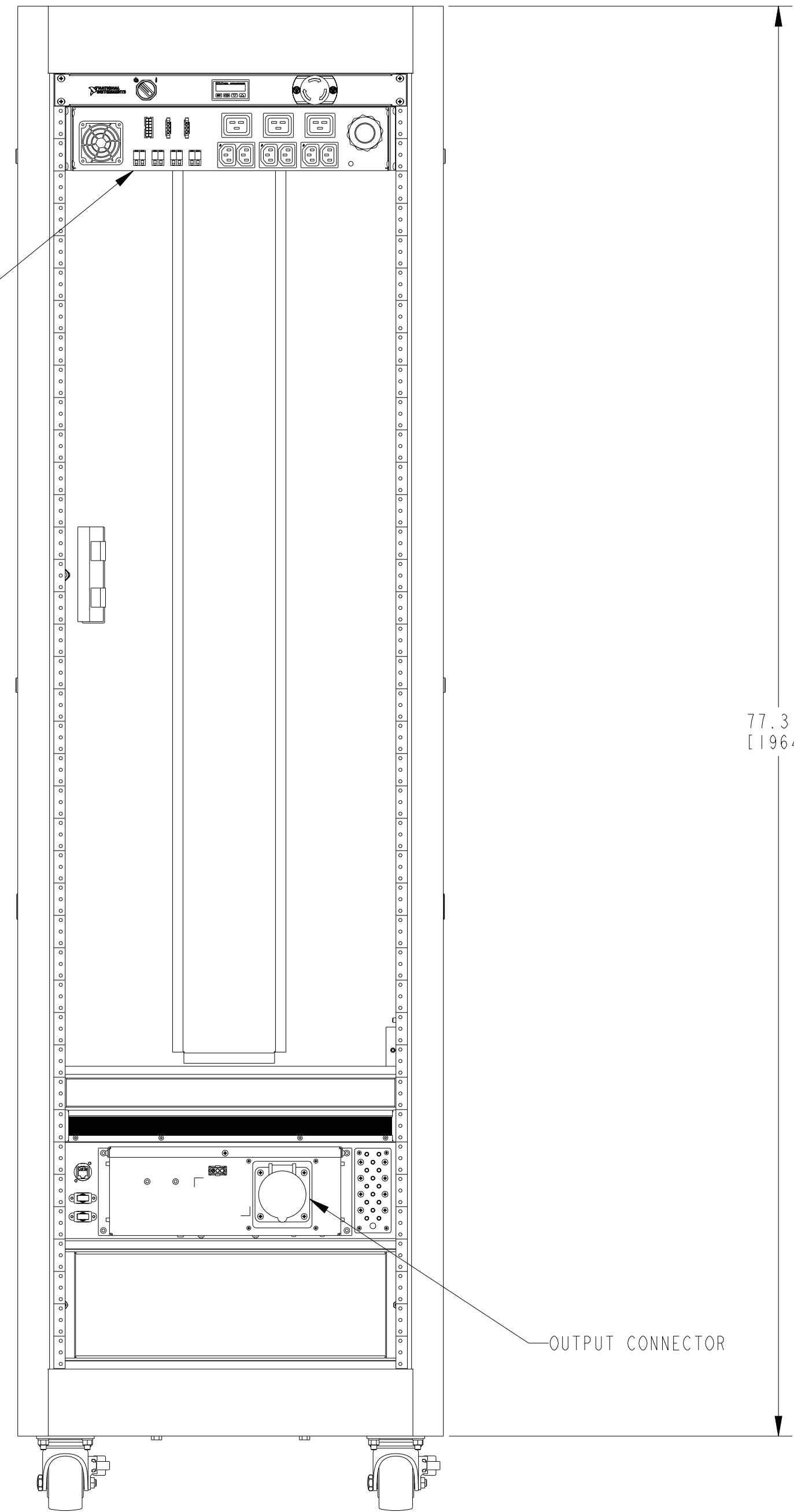
POWER INPUT CONNECTOR,
IEC 60320, C20

OUTLET
CIRCUIT BREAKER

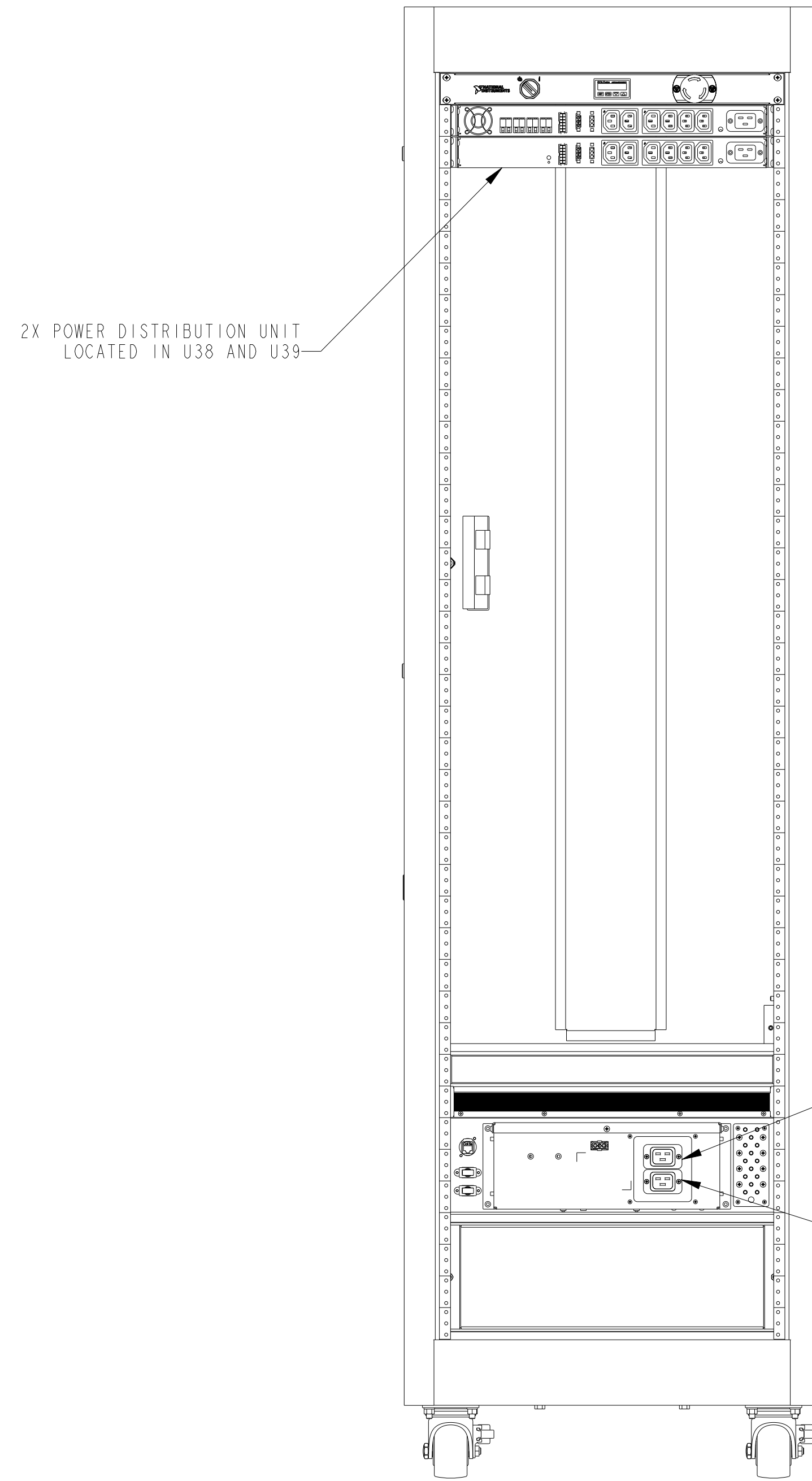


REAR VIEW OF RACK

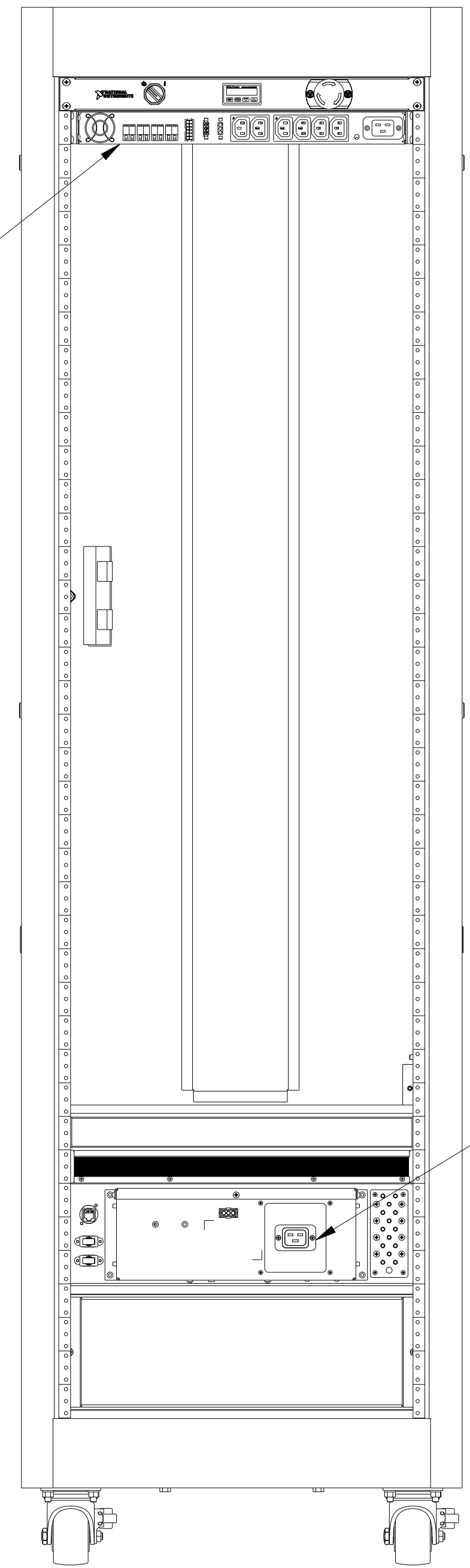
24U LOW POWER CONFIGURATION



HIGH POWER
FRONT VIEW OF RACK



MID POWER
FRONT VIEW OF RACK



LOW POWER
FRONT VIEW OF RACK

40U CONFIGURATIONS

