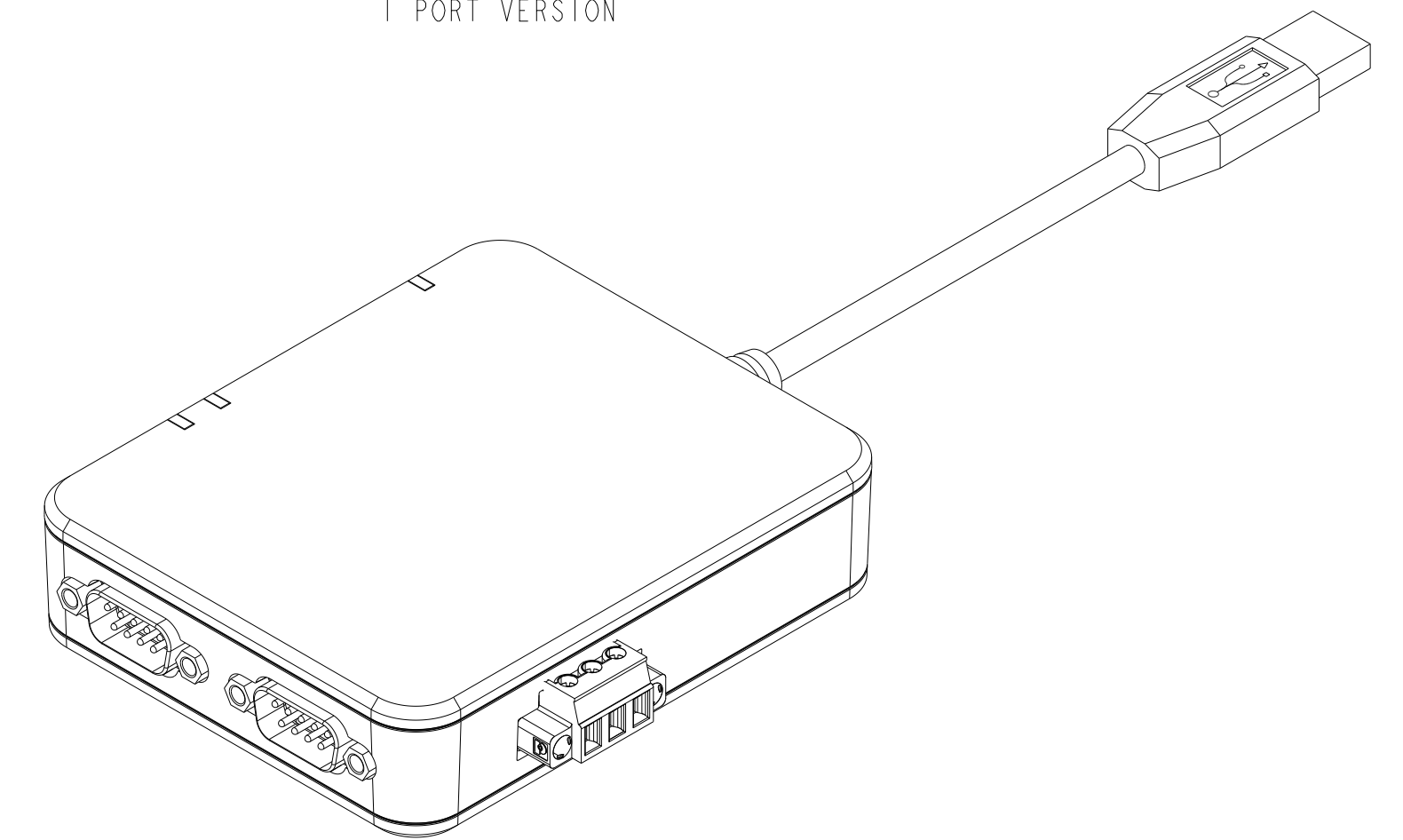
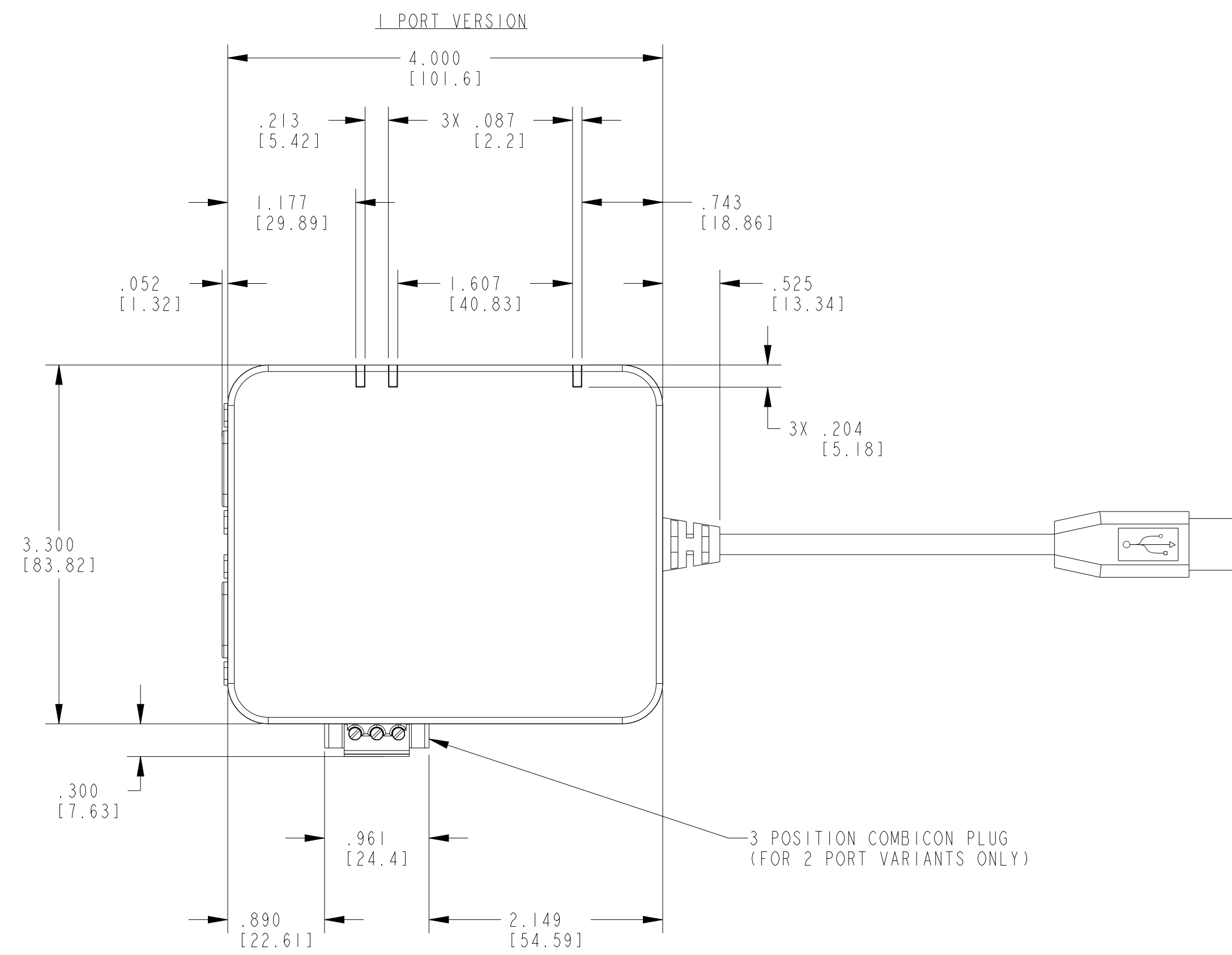
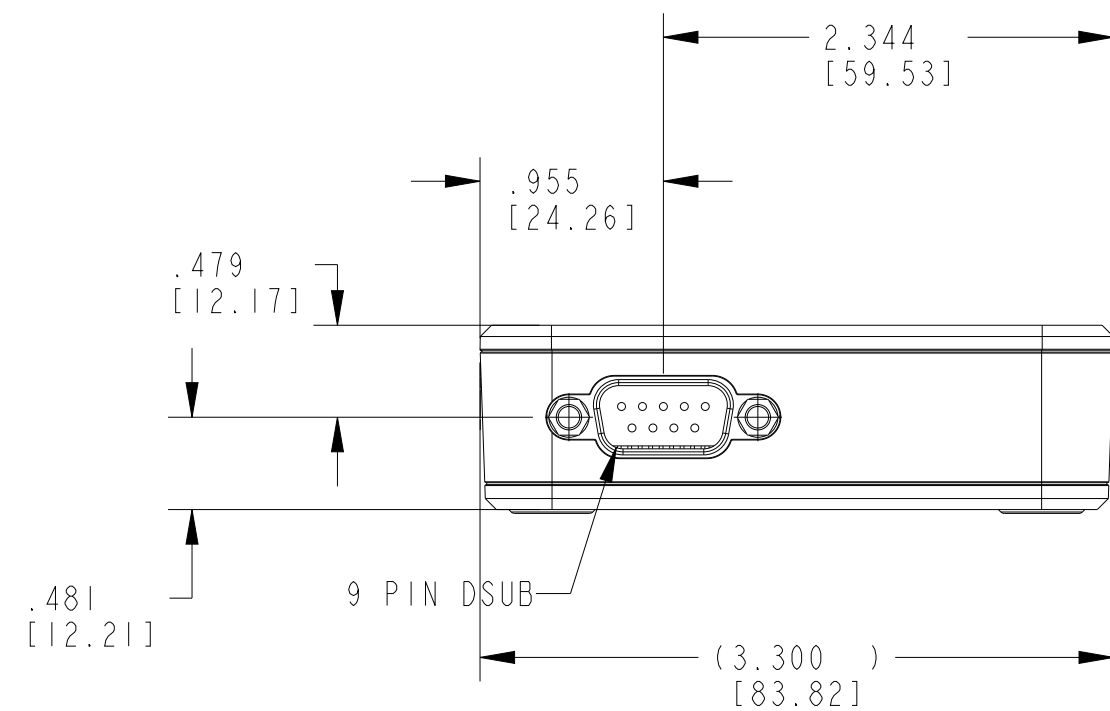


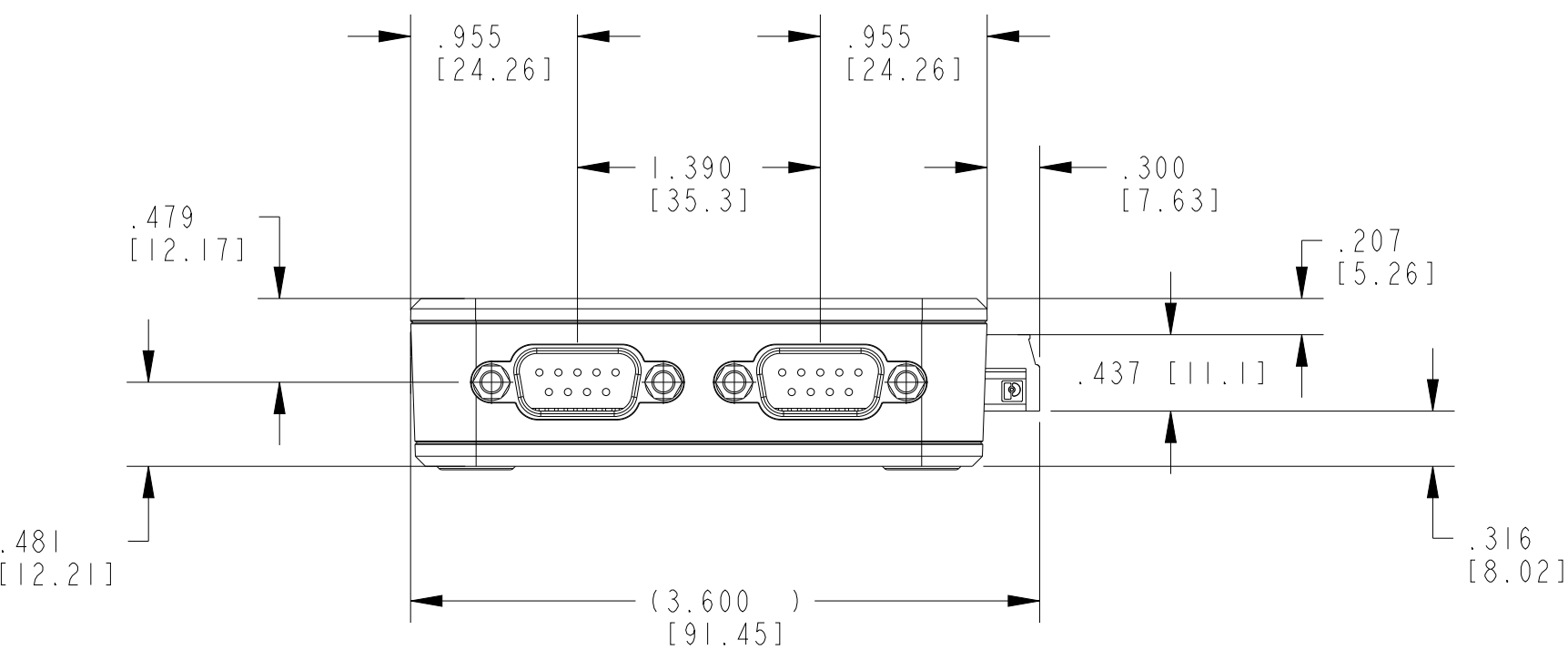
ISOMETRIC VIEW
 1 PORT VERSION



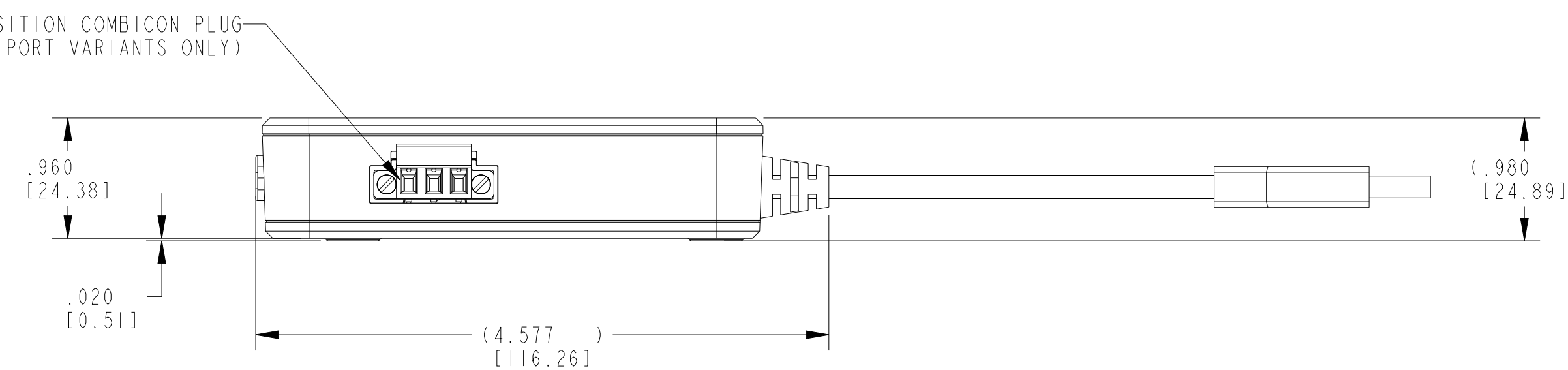
ISOMETRIC VIEW
 2 PORT VERSION



1 PORT VERSION



2 PORT VERSION



2 PORT VERSION

2. DIMENSIONS IN () ARE FOR REFERENCE ONLY.
 1. REFER TO PRODUCT MANUAL ON NI.COM FOR MORE DETAILS
 NOTES: UNLESS OTHERWISE SPECIFIED.

UNLESS OTHERWISE SPECIFIED DIMENSIONS ARE IN INCHES AND [MILLIMETERS].	NATIONAL INSTRUMENTS® AUSTIN, TEXAS
DO NOT SCALE DRAWING THIRD ANGLE PROJECTION	USB-850X
	SIZE CODE IDENT NO. MM/DD/YYYY
	D 7U296 10/26/2017
SCALE: 1/1	SHEET 1 OF 1