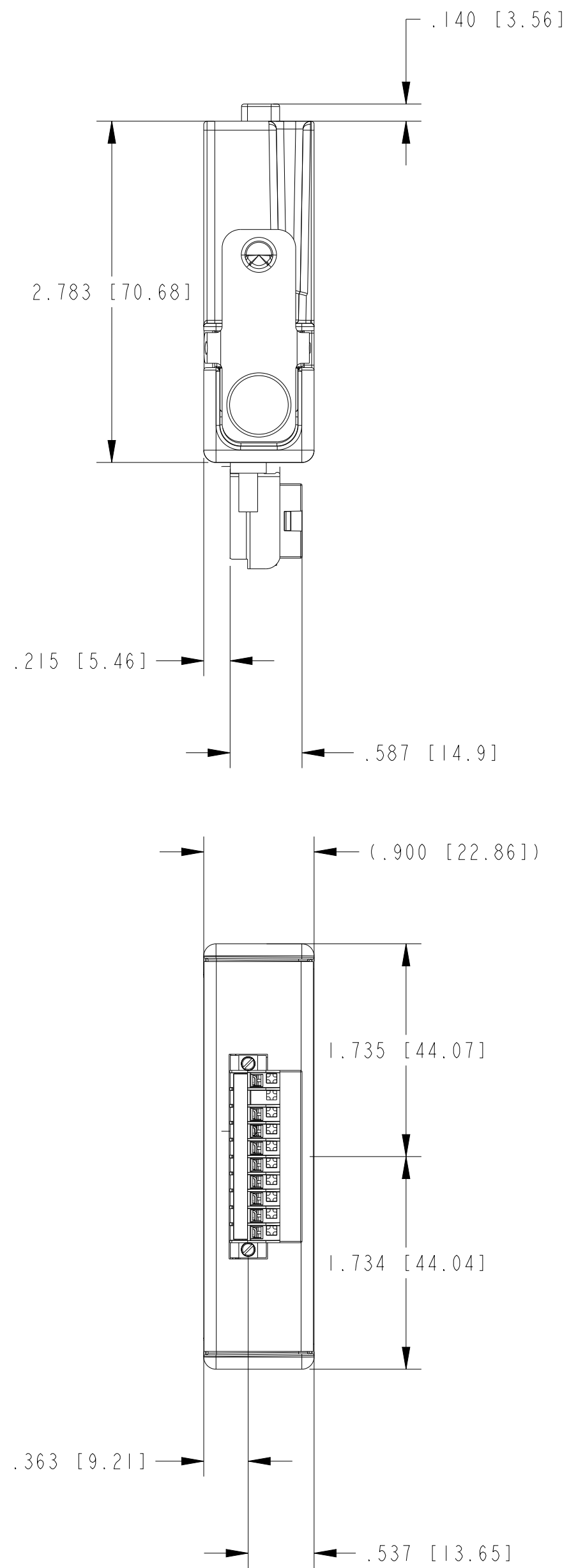
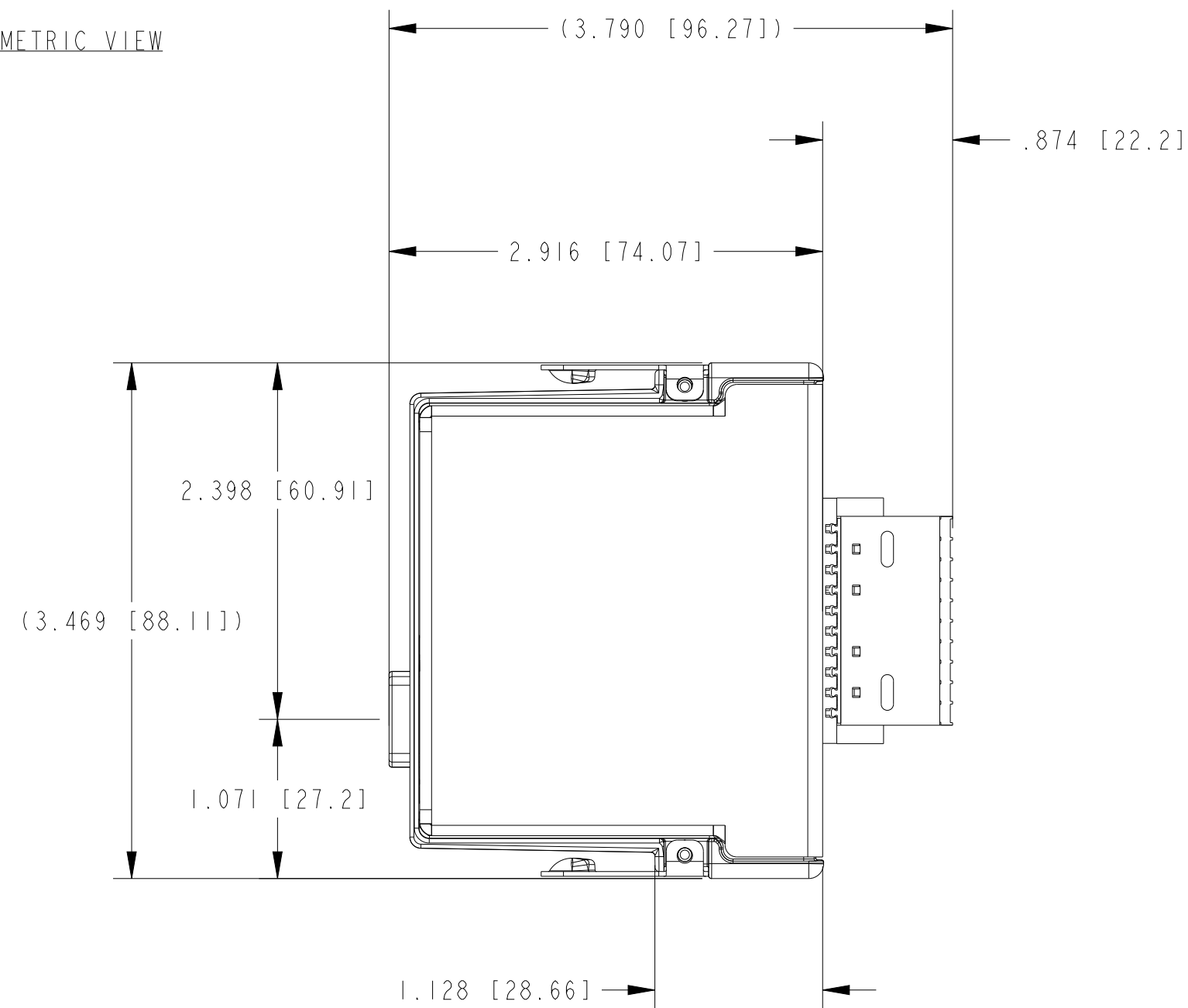


ISOMETRIC VIEW

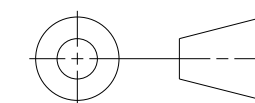


CUSTOMER DRAWING

UNLESS OTHERWISE SPECIFIED
 DIMENSIONS ARE IN INCHES AND
 (MILLIMETERS).

DO NOT SCALE DRAWING

THIRD ANGLE PROJECTION



AUSTIN, TEXAS

TITLE

NI 9210
 SPRING TERMINAL

SIZE CODE IDENT NO. MM/DD/YYYY

C7U296

01/03/2018

SCALE: 1/1

SHEET 1 OF 1

2. DIMENSIONS IN () ARE FOR REFERENCE ONLY.

1. REFER TO PRODUCT MANUAL ON NI.COM FOR MORE DETAILS

NOTES: UNLESS OTHERWISE SPECIFIED.