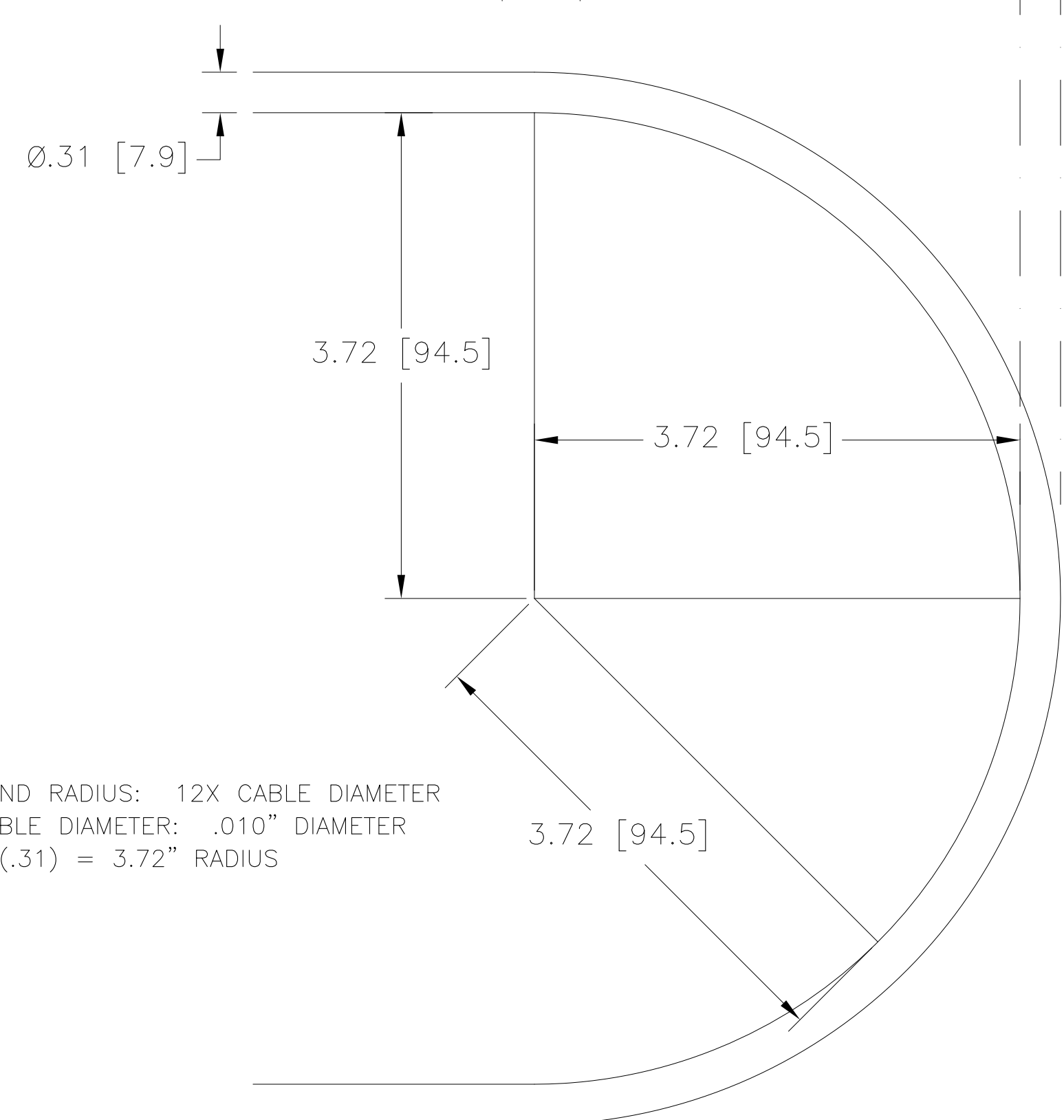
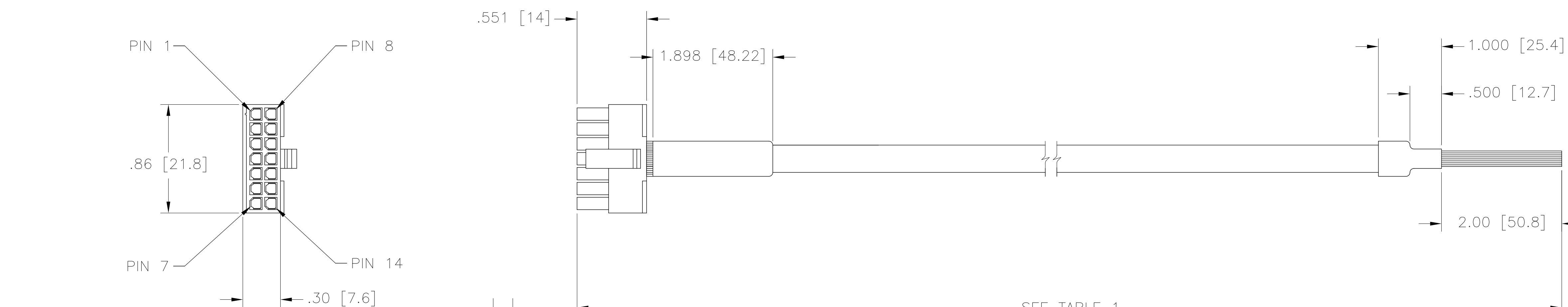


CUSTOMER DRAWING COMPATIBILITY			
REV	DESCRIPTION	DATE	APPROVED
A	DRAWING COMPATIBLE, RELEASED		



BEND RADIUS: 12X CABLE DIAMETER  
 CABLE DIAMETER: .010" DIAMETER  
 12(.31) = 3.72" RADIUS

BEND RADIUS EXAMPLE

CONDUCTOR SPECIFICATIONS:

CONDUCTOR: 22AWG 7/30 TIN PLATED COPPER, .010 INCH DIAMETER  
 INSULATION: .0032 INCHES OF HIGH DENSITY POLYPROPYLENE, .031 INCH DIAMETER

BEND RADIUS: 12X CABLE DIAMETER (SEE EXAMPLE) PER SPECIFICATIONS  
 2014 NEC SECTION 300.34 CONDUCTOR BEND RADIUS  
 2014 NEC SECTION 300.24 BENDING RADIUS

1. REFER TO PRODUCT MANUAL ON NI.COM FOR MORE DETAILS.

NOTES: UNLESS OTHERWISE SPECIFIED.

TABLE 1 $\triangle$ <sub>2</sub>	
LENGTH	TOLERANCE
<2M	+5 CM/-0 CM
2 TO 5M	+10 CM/-0 CM
>5M	+15 CM/-0 CM

WIRE LIST	
P1	COLOR CODE
1	BLACK
1	BROWN
2	RED
3	ORANGE
4	YELLOW
5	GREEN
6	BLUE
7	VIOLET
7	GRAY
8	WHITE
9	WHITE/BLACK
10	WHITE/BROWN
11	WHITE/RED
12	DRAIN WIRE
13	WHITE/ORANGE
14	WHITE/YELLOW

CUSTOMER DRAWING

UNLESS OTHERWISE SPECIFIED DIMENSIONS ARE IN INCHES AND [MILLIMETERS]	NATIONAL INSTRUMENTS® AUSTIN, TEXAS	
	TITLE 14 POS MFIT-PIGTAIL	
DO NOT SCALE DRAWING THIRD ANGLE PROJECTION	SIZE CODE IDENT NO. DRAWING NO. D 7U296 07/17/17	
	SCALE: NONE	SHEET 1 OF 1