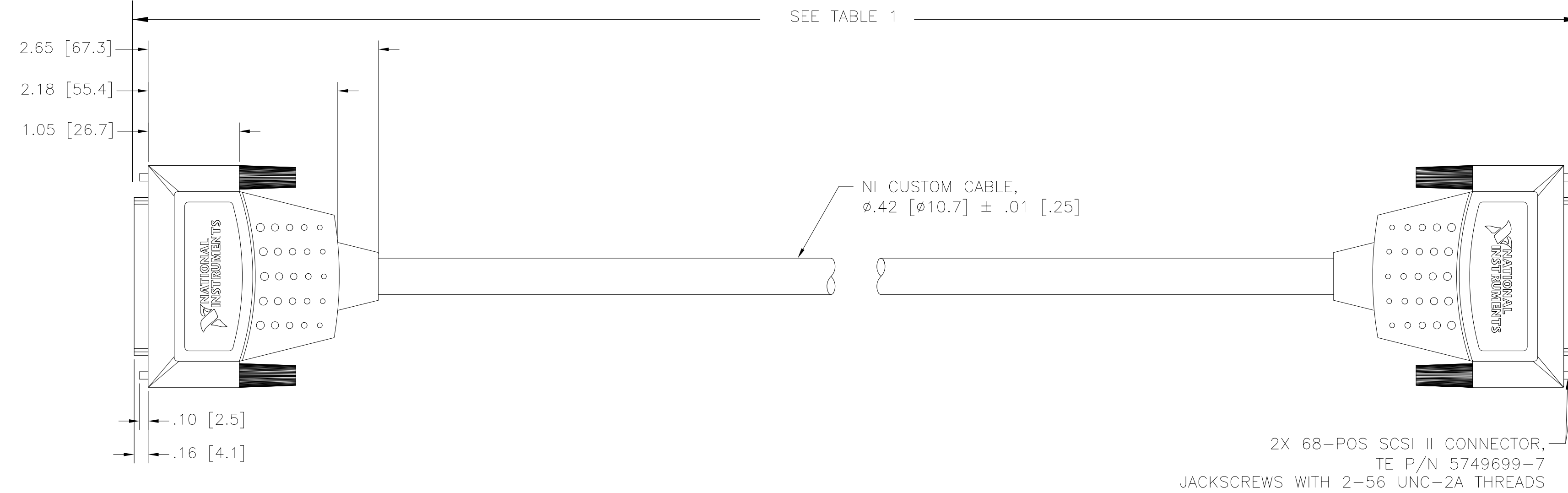
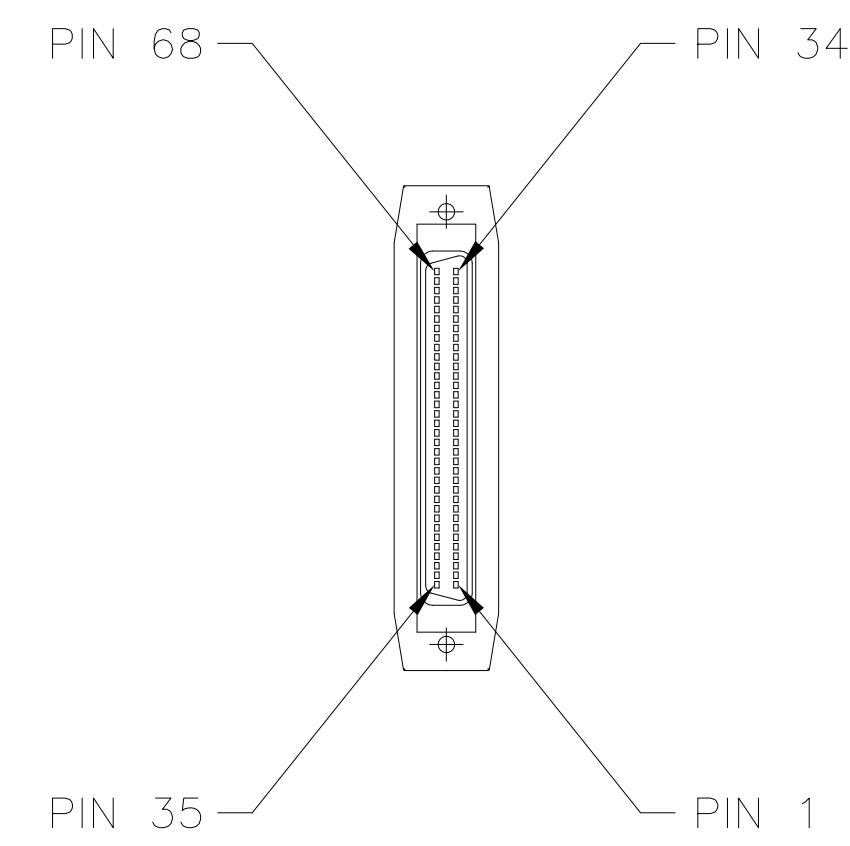
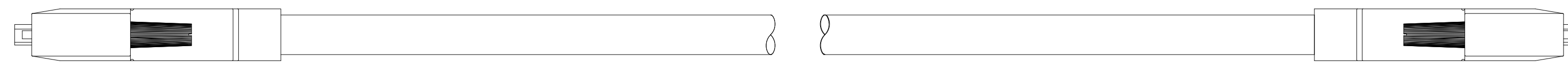
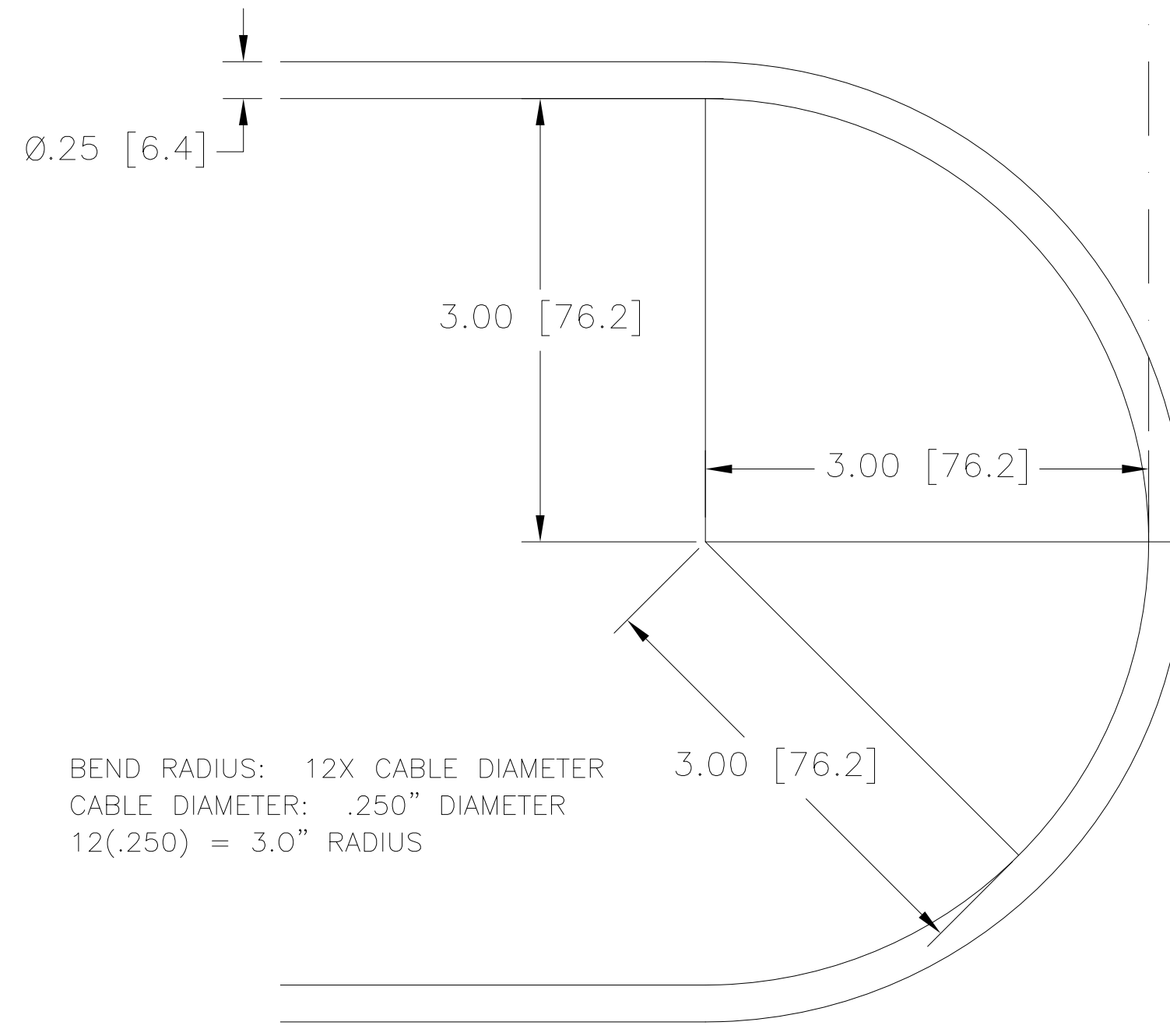
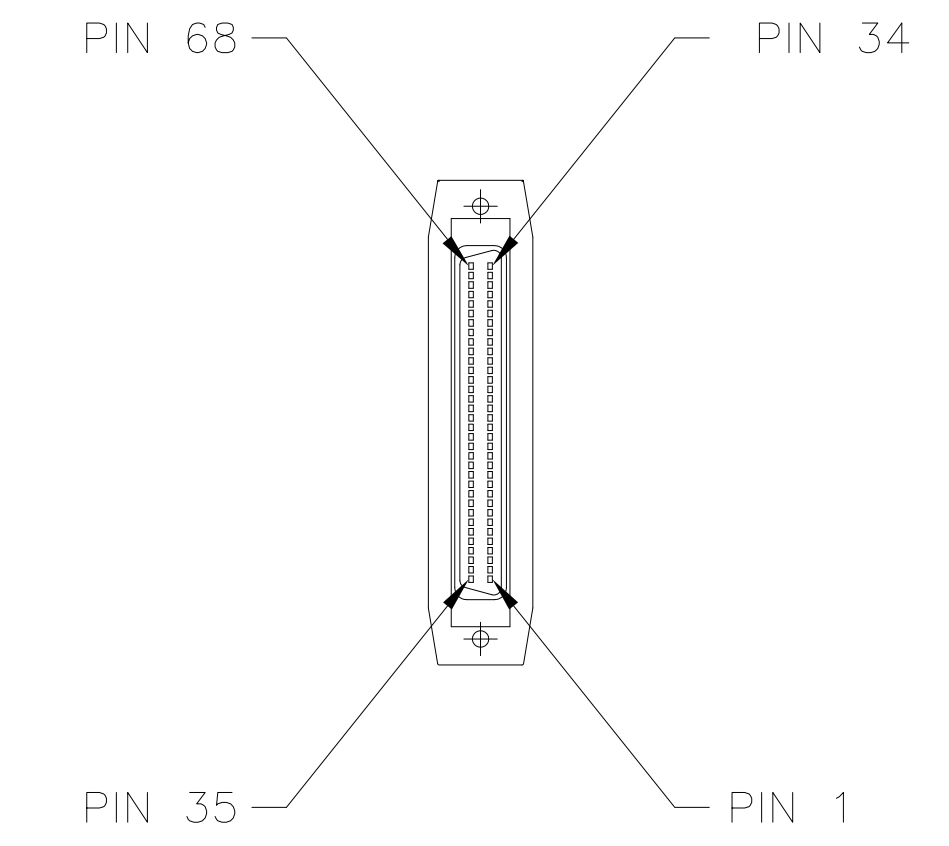


CUSTOMER DRAWING COMPATIBILITY			
REV	DESCRIPTION	DATE	APPROVED
A	DRAWING COMPATIBLE, OBSOLETE		
B	DRAWING COMPATIBLE, OBSOLETE		
C	DRAWING COMPATIBLE, RELEASED		

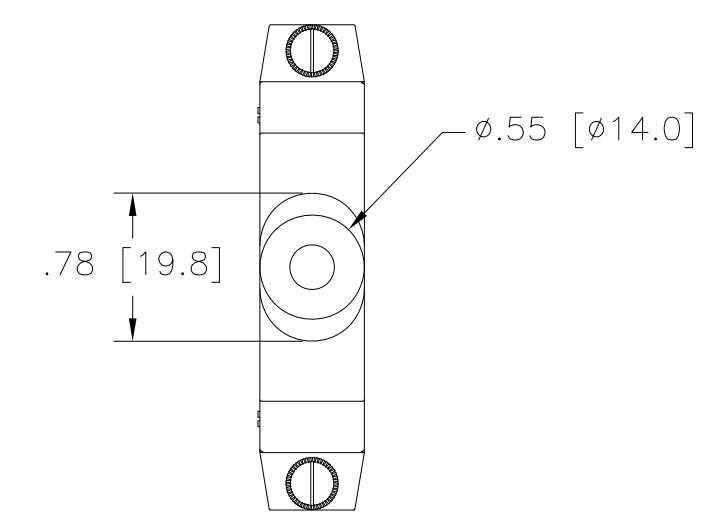
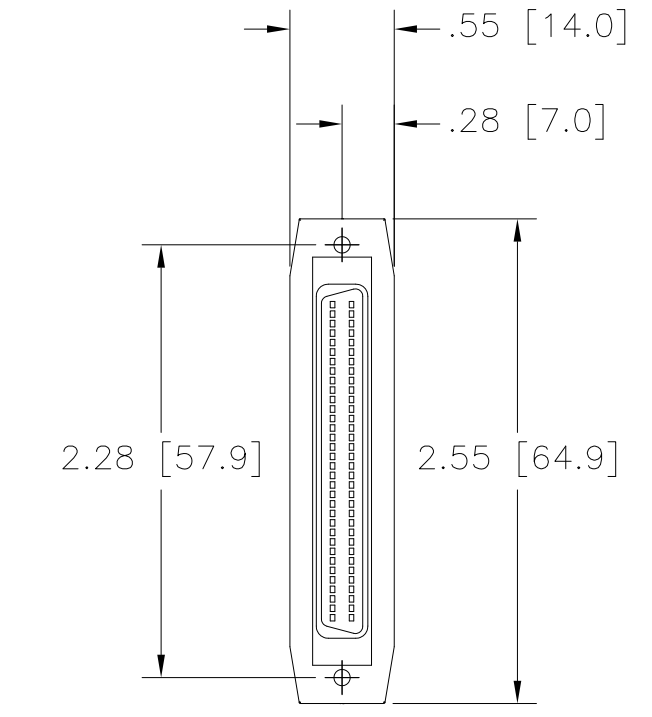


2X 68-POS SCSI II CONNECTOR,  
TE P/N 5749699-7  
JACKSCREWS WITH 2-56 UNC-2A THREADS



BEND RADIUS: 12X CABLE DIAMETER  
CABLE DIAMETER: .250" DIAMETER  
12(.250) = 3.0" RADIUS

BEND RADIUS EXAMPLE



WIRE LIST 1					
P1	COLOR MAIN/STRIPE	P2	P1	COLOR MAIN/STRIPE	P2
65	WHITE/BLACK	65	49	BLACK/YELLOW	49
31	BLACK/WHITE	31	15	YELLOW/BLACK	15
63	WHITE/BROWN	63	50	BLACK/GREEN	50
30	BROWN/WHITE	30	17	GREEN/BLACK	17
57	WHITE/RED	57	52	BLACK/BLUE	52
23	RED/WHITE	23	18	BLUE/BLACK	18
68	WHITE/ORANGE	68	53	BLACK/VIOLET	53
34	ORANGE/WHITE	34	19	VIOLET/BLACK	19
62	WHITE/YELLOW	62	35	BLACK/GRAY	35
29	YELLOW/WHITE	29	1	GRAY/BLACK	1
66	WHITE/GREEN	66	36	BROWN/RED	36
33	GREEN/WHITE	33	2	RED/BROWN	2
58	WHITE/BLUE	58	38	BROWN/ORANGE	38
25	BLUE/WHITE	25	4	ORANGE/BROWN	4
60	WHITE/VIOLET	60	39	BROWN/YELLOW	39
26	VIOLET/WHITE	26	6	YELLOW/BROWN	6
61	WHITE/GRAY	61	40	BROWN/GREEN	40
28	GRAY/WHITE	28	7	GREEN/BROWN	7
55	BLACK/BROWN	55	43	BROWN/BLUE	43
22	BROWN/BLACK	22	9	BLUE/BROWN	9
54	BLACK/RED	54	44	BROWN/VIOLET	44
21	RED/BLACK	21	10	VIOLET/BROWN	10
46	BLACK/ORANGE	46	45	BROWN/GRAY	45
13	ORANGE/BLACK	13	12	GRAY/BROWN	12

WIRE LIST 2		
P1	COLOR MAIN/STRIPE	P2
59	RED/ORANGE	59
24	ORANGE/RED	24
64	RED/YELLOW	64
56	YELLOW/RED	56
67	RED/GREEN	67
32	GREEN/RED	32
20	RED/BLUE	20
51	BLUE/RED	51
42	RED/VIOLET	42
8	VIOLET/RED	8
14	RED/GRAY	14
48	GRAY/RED	48
11	ORANGE/YELLOW	11
47	YELLOW/ORANGE	47
41	ORANGE/GREEN	41
5	GREEN/ORANGE	5
37	ORANGE/BLUE	37
3	BLUE/ORANGE	3
16	ORANGE/VIOLET	16
27	INNER DRAIN WIRE	27
SHELL	OUTER SHIELD	SHELL

TABLE 1	
LENGTH	TOLERANCE
<2M	+5 CM/-0 CM
2 TO 5M	+10 CM/-0 CM
>5M	+15 CM/-0 CM

**CONDUCTOR SPECIFICATIONS:**  
 CONDUCTOR: 26AWG 7/36 TIN PLATED COPPER, .015 INCH DIAMETER  
 INSULATION: .0075 INCHES OF POLYPROPYLENE, .030 INCH DIAMETER  
 BEND RADIUS: 12X CABLE DIAMETER (SEE EXAMPLE) PER SPECIFICATIONS  
 2014 NEC SECTION 300.34 CONDUCTOR BEND RADIUS  
 2014 NEC SECTION 300.24 BENDING RADIUS  
 1. REFER TO PRODUCT MANUAL ON NI.COM FOR MORE DETAILS.  
 NOTES: UNLESS OTHERWISE SPECIFIED.

CUSTOMER DRAWING

UNLESS OTHERWISE SPECIFIED DIMENSIONS ARE IN INCHES AND [MILLIMETERS]

**NATIONAL INSTRUMENTS®** AUSTIN, TEXAS

DO NOT SCALE DRAWING  
THIRD ANGLE PROJECTION

TITLE: SH68-68

SIZE: D 7U296 CODE IDENT NO.: 10/04/16 DRAWING NO.: 10/04/16

SCALE: 1/1 SHEET 1 OF 1