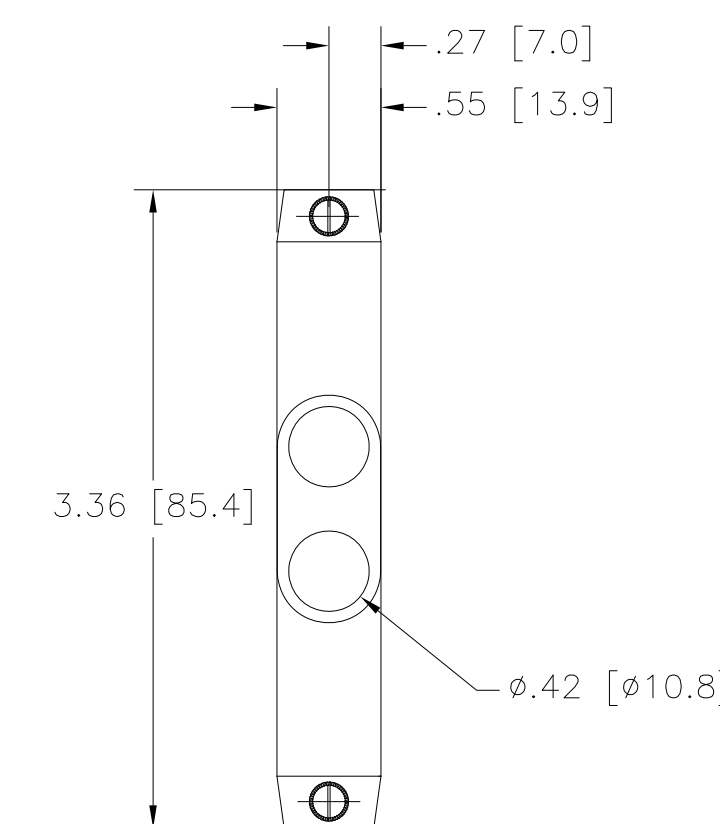
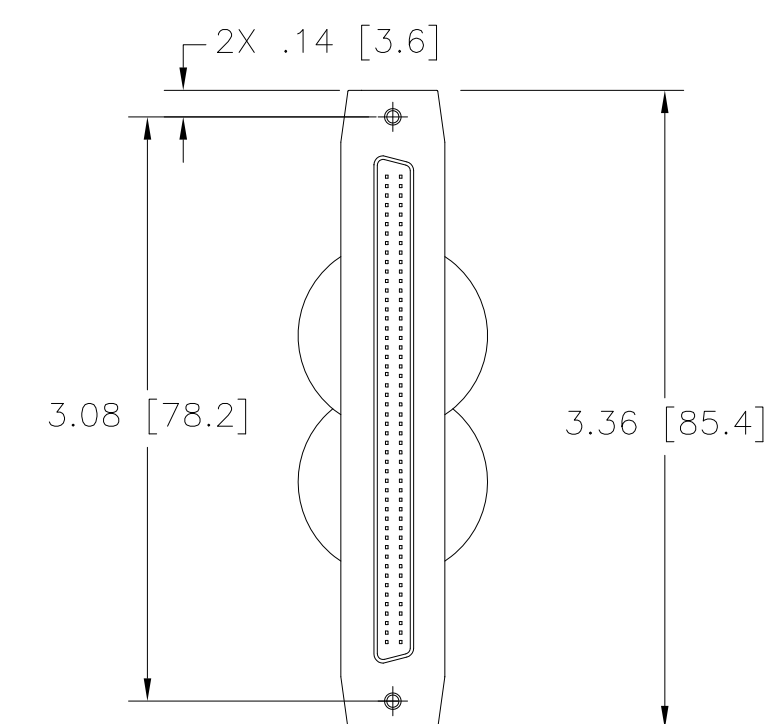
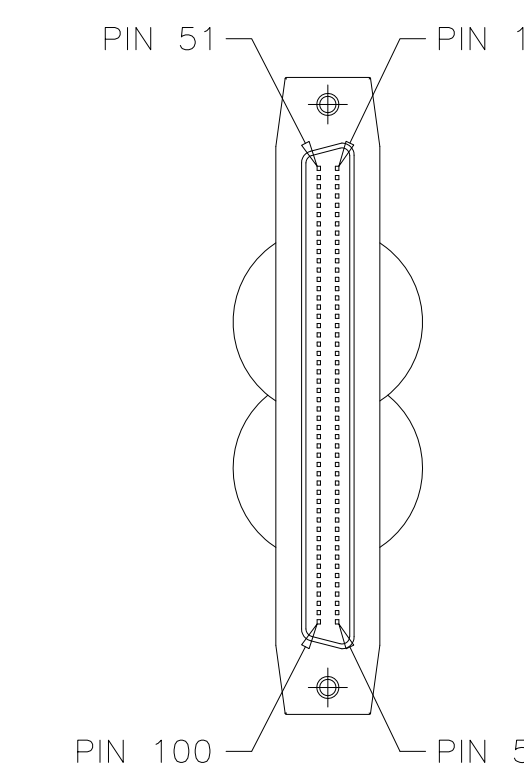
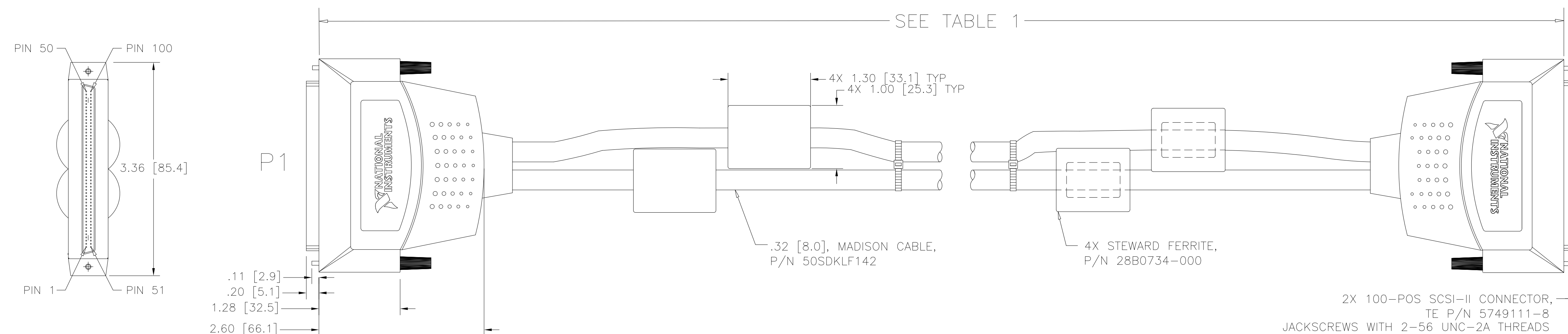


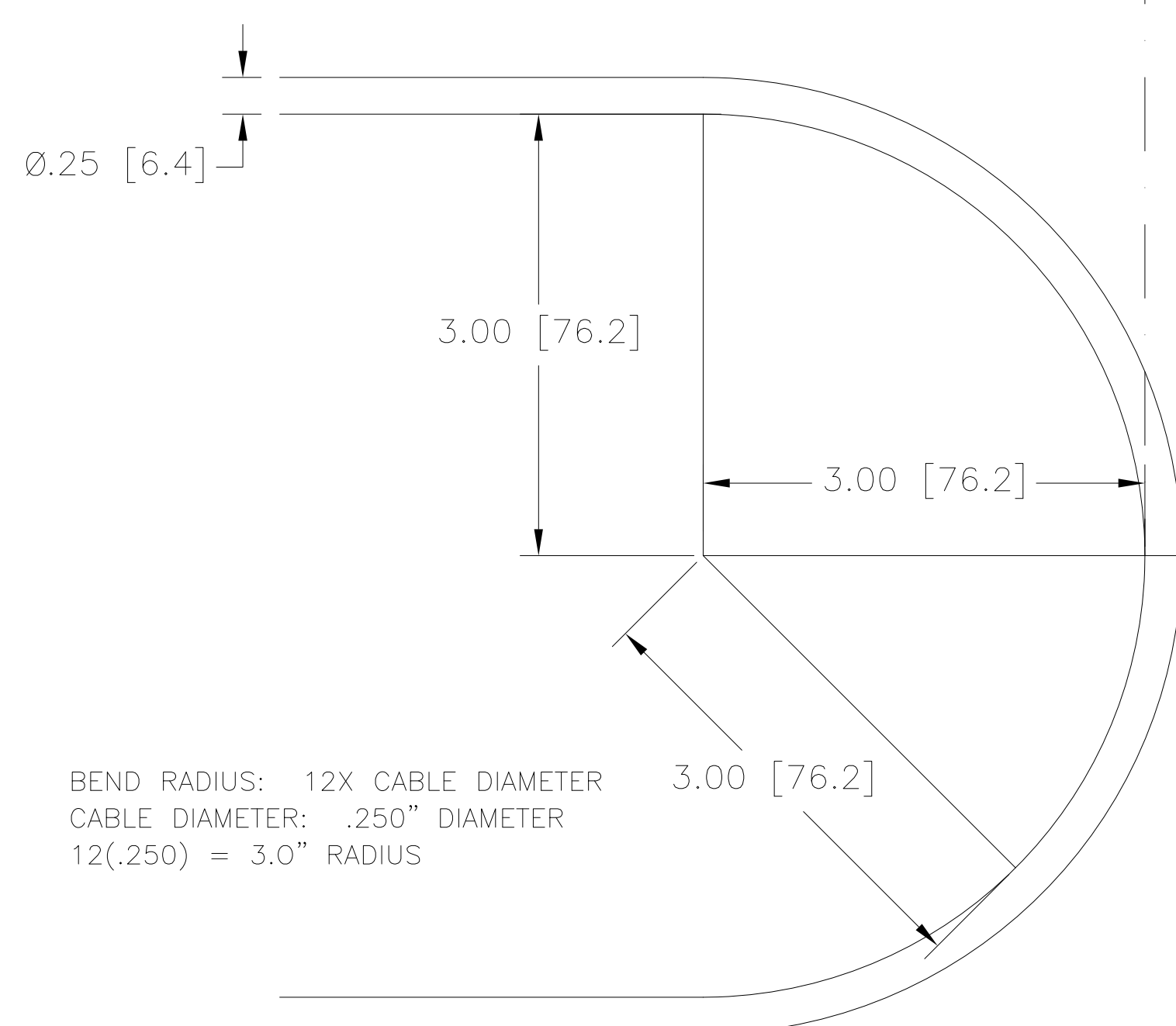
CUSTOMER DRAWING COMPATIBILITY			
REV	DESCRIPTION	DATE	APPROVED
A	DRAWING COMPATIBLE, OBSOLETE		
B	DRAWING COMPATIBLE, OBSOLETE		
C	DRAWING COMPATIBLE, RELEASED		
D	DRAWING COMPATIBLE, RELEASED		



WIRE LIST 1A		
P1 100-POS	MAIN COLOR/LINE COLOR	P2 100-POS
PIN NO	COLOR CODE	PIN NO
7	WHITE/BLACK	7
8	BLACK/WHITE	8
1,2	SHIELD 1	1,2
10	WHITE/BROWN	10
9	BROWN/WHITE	9
1,2	SHIELD 2	1,2
17	WHITE/RED	17
18	RED/WHITE	18
1,2	SHIELD 3	1,2
3	WHITE/ORANGE	3
4	ORANGE/WHITE	4
1,2	SHIELD 4	1,2
6	WHITE/GREEN	6
5	GREEN/WHITE	5
1,2	SHIELD 5	1,2
16	WHITE/BLUE	16
15	BLUE/WHITE	15
1,2	SHIELD 6	1,2
13	WHITE/VIOLET	13
14	VIOLET/WHITE	14
1,2	SHIELD 7	1,2
12	WHITE/GRAY	12
11	GRAY/WHITE	11
1,2	SHIELD 8	1,2
36	BLACK/ORANGE	36
24,33	ORANGE/BLACK	24,33
29	BLACK/YELLOW	29
24,33	YELLOW/BLACK	24,33
24,33	BLACK/GREEN	24,33
27	GREEN/BLACK	27
25	BLACK/BLUE	25
24,33	BLUE/BLACK	24,33
24,33	BLACK/VIOLET	24,33
26	VIOLET/BLACK	26
24,33	BLACK/GRAY	24,33
50	GRAY/BLACK	50
24,33	BROWN/RED	24,33
49	RED/BROWN	49
46	BROWN/ORANGE	46
24,33	ORANGE/BROWN	24,33
24,33	BROWN/YELLOW	24,33
44	YELLOW/BROWN	44
43	BROWN/GREEN	43
24,33	GREEN/BROWN	24,33
40	BROWN/BLUE	40
24,33	BLUE/BROWN	24,33
24,33	BROWN/VIOLET	24,33
39	VIOLET/BROWN	39
37	BROWN/GRAY	37
24,33	GRAY/BROWN	24,33

WIRE LIST 1B		
P1 100-POS	MAIN COLOR/LINE COLOR	P2 100-POS
PIN NO	COLOR CODE	PIN NO
20	BROWN/BLACK	20
23	SHIELD 9	23
21	RED/BLACK	21
23	SHIELD 10	23
19	WHITE/YELLOW	19
22	RED/BLUE	22
28	BLUE/RED	28
41	RED/VIOLET	41
32	GRAY/RED	32
38	ORANGE/YELLOW	38
31	YELLOW/ORANGE	31
42	ORANGE/GREEN	42
45	GREEN/ORANGE	45
47	ORANGE/BLUE	47
48	BLUE/ORANGE	48
30	ORANGE/VIOLET	30
35	VIOLET/RED	35
34	RED/GRAY	34
SHELL	OUTER SHIELD	SHELL

WIRE LIST 2		
P1 100-POS CONN.	MAIN COLOR/LINE COLOR	P2 100-POS CONN.
PIN NO	COLOR CODE	PIN NO
51	WHITE/TAN	51
52	TAN/WHITE	52
53	WHITE/BROWN	53
54	BROWN/WHITE	54
55	WHITE/PINK	55
56	PINK/WHITE	56
57	WHITE/ORANGE	57
58	ORANGE/WHITE	58
59	WHITE/YELLOW	59
60	YELLOW/WHITE	60
61	WHITE/GREEN	61
62	GREEN/WHITE	62
63	WHITE/BLUE	63
64	BLUE/WHITE	64
65	WHITE/VIOLET	65
66	VIOLET/WHITE	66
67	WHITE/GRAY	67
68	GRAY/WHITE	68
69	TAN/BROWN	69
70	BROWN/TAN	70
71	TAN/PINK	71
72	PINK/TAN	72
73	TAN/ORANGE	73
74	ORANGE/TAN	74
75	TAN/YELLOW	75
76	YELLOW/TAN	76
77	TAN/GREEN	77
78	GREEN/TAN	78
79	TAN/BLUE	79
80	BLUE/TAN	80
81	TAN/VIOLET	81
82	VIOLET/TAN	82
83	TAN/GRAY	83
84	GRAY/TAN	84
85	BROWN/PINK	85
86	PINK/BROWN	86
87	BROWN/ORANGE	87
88	ORANGE/BROWN	88
89	BROWN/YELLOW	89
90	YELLOW/BROWN	90
91	BROWN/GREEN	91
92	GREEN/BROWN	92
93	BROWN/BLUE	93
94	BLUE/BROWN	94
95	BROWN/VIOLET	95
96	VIOLET/BROWN	96
97	BROWN/GRAY	97
98	GRAY/BROWN	98
99	PINK/ORANGE	99
100	ORANGE/PINK	100
76	INNER SHIELD	76
SHELL	OUTER SHIELD	SHELL



BEND RADIUS: 12X CABLE DIAMETER
CABLE DIAMETER: .250" DIAMETER
12(.250) = 3.0" RADIUS

BEND RADIUS EXAMPLE

CONDUCTOR SPECIFICATIONS:

CONDUCTOR: 28AWG 7/36 TIN PLATED COPPER, .015 INCH DIAMETER
INSULATION: .010 INCHES OF POLYPROPYLENE, .035 INCH DIAMETER

BEND RADIUS: 12X CABLE DIAMETER (SEE EXAMPLE) PER SPECIFICATIONS
2014 NEC SECTION 300.34 CONDUCTOR BEND RADIUS
2014 NEC SECTION 300.24 BENDING RADIUS

1. REFER TO PRODUCT MANUAL ON NI.COM FOR MORE DETAILS.

NOTES: UNLESS OTHERWISE SPECIFIED.

TABLE 1	
LENGTH	TOLERANCE
<2M	+5 CM/-0 CM
2 TO 5M	+10 CM/-0 CM
>5M	+15 CM/-0 CM

CUSTOMER DRAWING

UNLESS OTHERWISE SPECIFIED DIMENSIONS ARE IN INCHES AND [MILLIMETERS] DO NOT SCALE DRAWING THIRD ANGLE PROJECTION	AUSTIN, TEXAS	
	TITLE SH100100	
	SIZE CODE IDENT NO. DRAWING NO. D 7U296 09/15/16	SCALE: 3/4 SHEET 1 OF 1