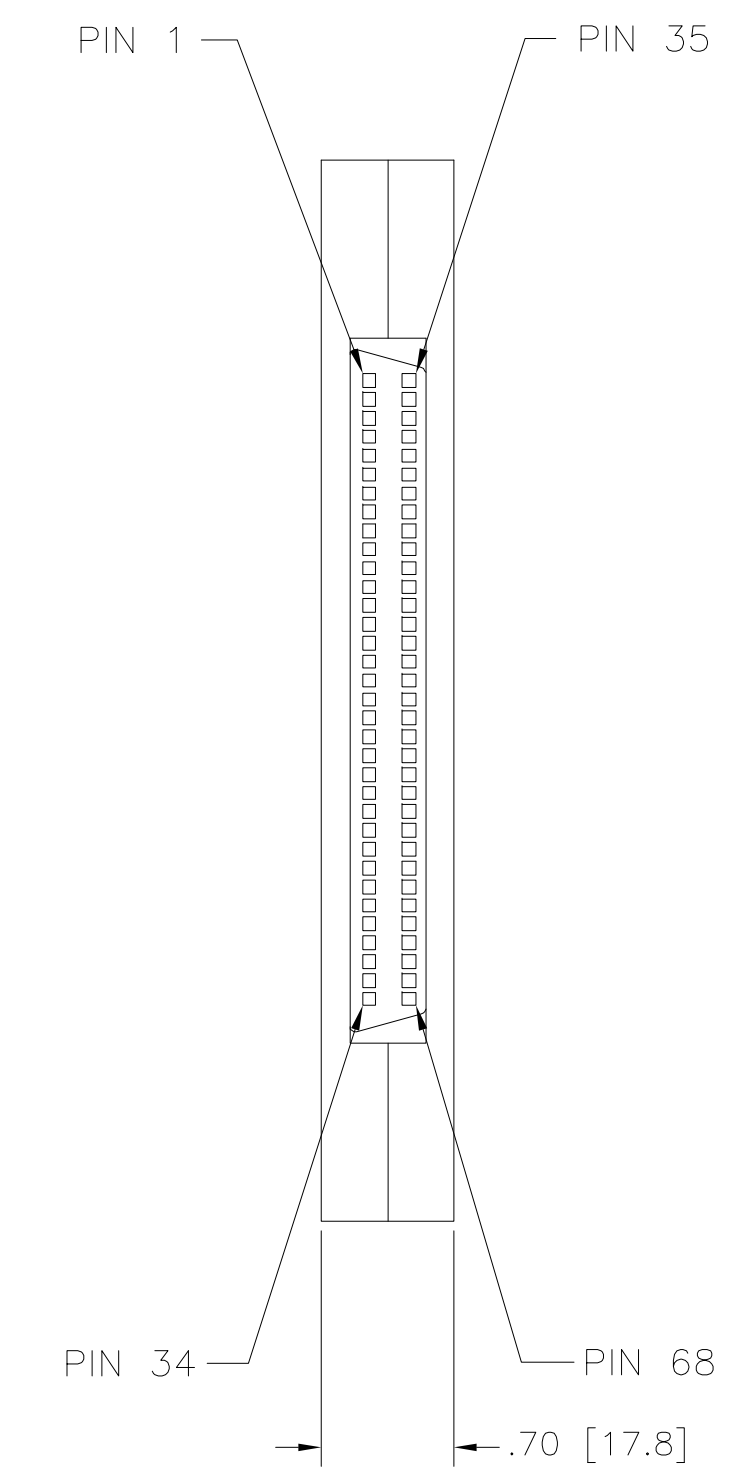
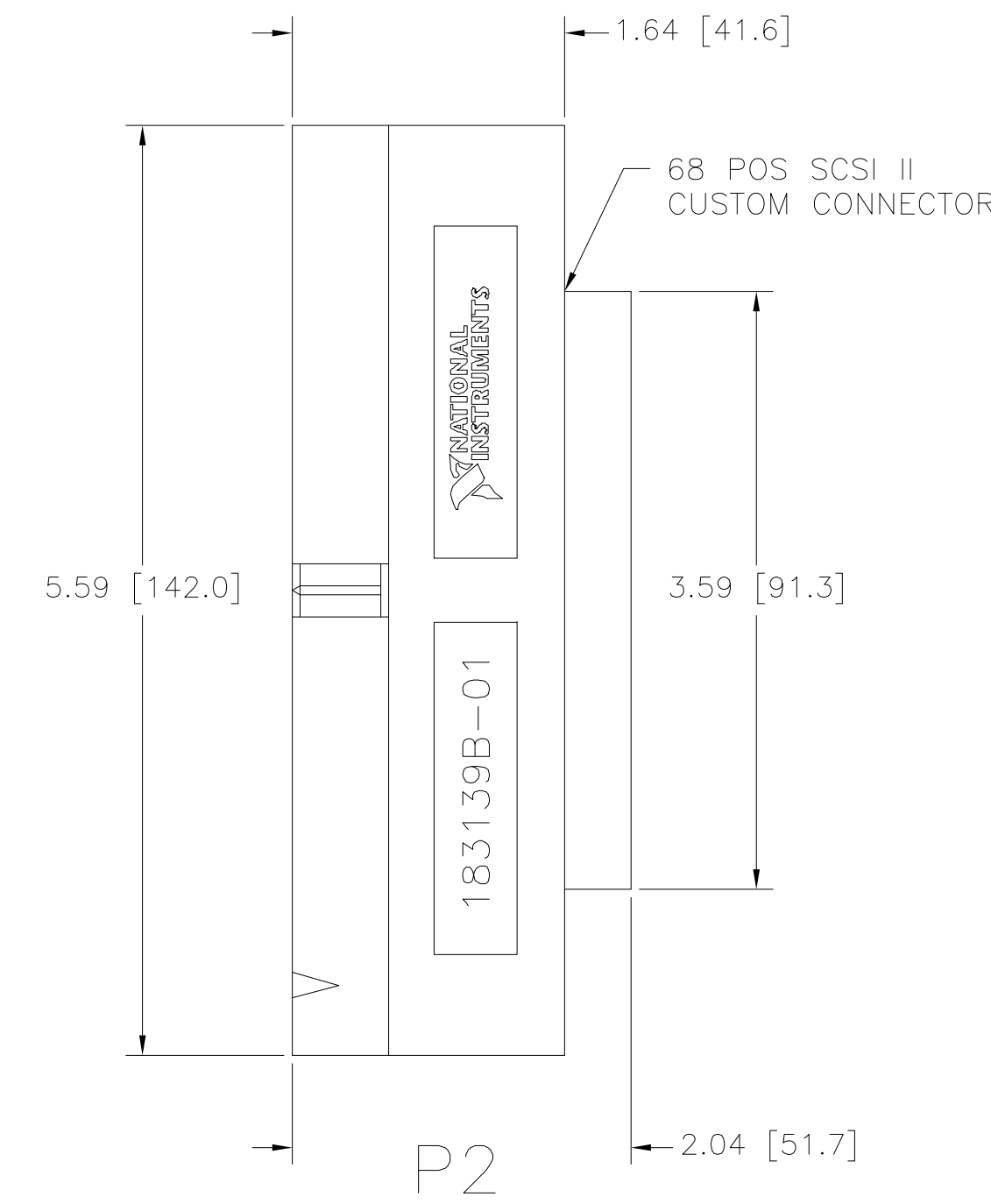
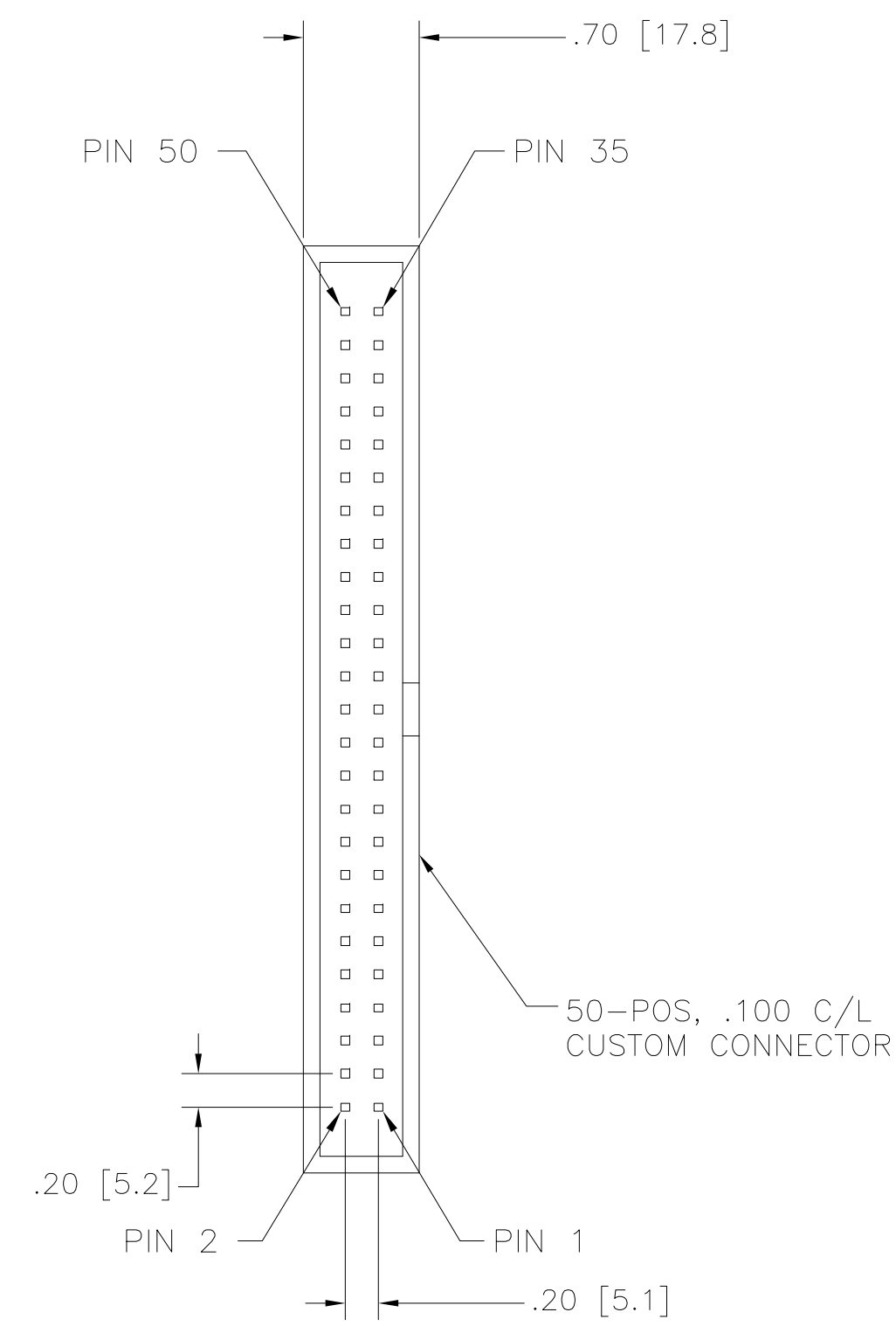
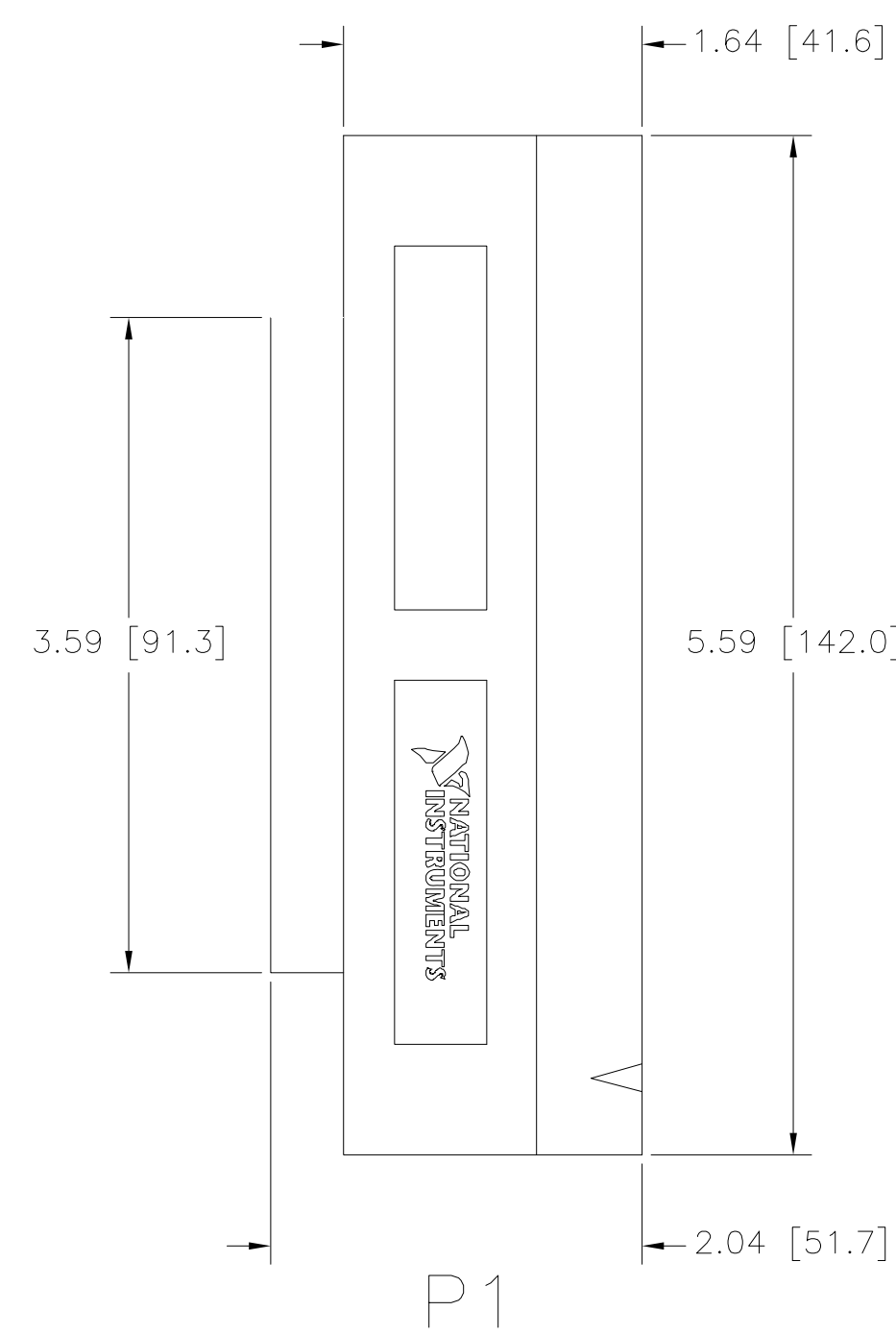


| CUSTOMER DRAWING COMPATIBILITY |                              |      |          |
|--------------------------------|------------------------------|------|----------|
| REV                            | DESCRIPTION                  | DATE | APPROVED |
| A                              | DRAWING COMPATIBLE, OBSOLETE |      |          |
| B                              | DRAWING COMPATIBLE, RELEASED |      |          |
|                                |                              |      |          |



| WIRE LIST |                                     |
|-----------|-------------------------------------|
| P1 PIN NO | P2 PIN NO                           |
| 1,2       | 22,27,29,32,56,59,64,67             |
| 3         | 68                                  |
| 4         | 34                                  |
| 5         | 33                                  |
| 6         | 66                                  |
| 7         | 65                                  |
| 8         | 31                                  |
| 9         | 30                                  |
| 10        | 63                                  |
| 11        | 28                                  |
| 12        | 61                                  |
| 13        | 60                                  |
| 14        | 26                                  |
| 15        | 25                                  |
| 16        | 58                                  |
| 17        | 57                                  |
| 18        | 23                                  |
| 19        | 62                                  |
| 20        | 22                                  |
| 21        | 21                                  |
| 22        | 20                                  |
| 23        | 54,55                               |
| 24,33     | 4,7,9,12,13,15,18,35,36,39,44,50,53 |
| 25        | 52                                  |
| 26        | 19                                  |
| 27        | 17                                  |
| 28        | 51                                  |
| 29        | 49                                  |
| 30        | 16                                  |

| WIRE LIST |           |
|-----------|-----------|
| P1 PIN NO | P2 PIN NO |
| 31        | 47        |
| 32        | 48        |
| 34        | 14        |
| 35        | 8         |
| 36        | 46        |
| 37        | 45        |
| 38        | 11        |
| 39        | 10        |
| 40        | 43        |
| 41        | 42        |
| 42        | 41        |
| 43        | 40        |
| 44        | 6         |
| 45        | 5         |
| 46        | 38        |
| 47        | 37        |
| 48        | 3         |
| 49        | 2         |
| 50        | 1         |

1. REFER TO PRODUCT MANUAL ON NI.COM FOR MORE DETAILS.  
 NOTES: UNLESS OTHERWISE SPECIFIED.

CUSTOMER DRAWING

|   |   |              |
|---|---|--------------|
| UNLESS OTHERWISE SPECIFIED DIMENSIONS ARE IN INCHES AND [MILLIMETERS] | AUSTIN, TEXAS                                       |              |
|   | TITLE: R6850  |              |
| DO NOT SCALE DRAWING<br>THIRD ANGLE PROJECTION                        | SIZE CODE IDENT NO. DRAWING NO.<br>D 7U296 09/29/16 |              |
|   | SCALE: 2/1  | SHEET 1 OF 1 |