

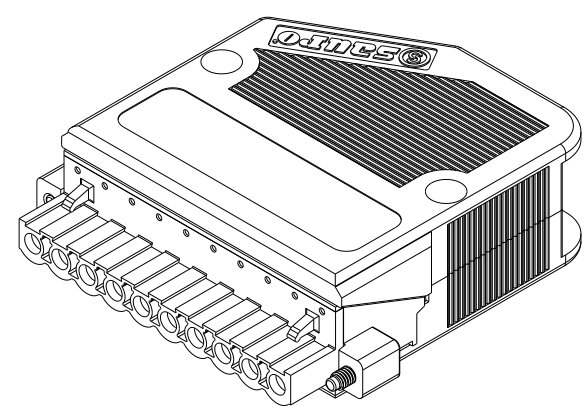
4

3

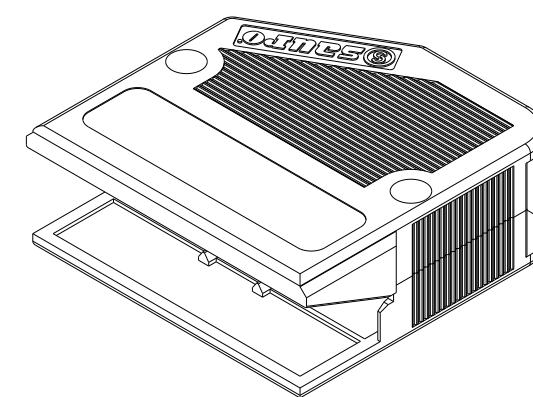
2

1

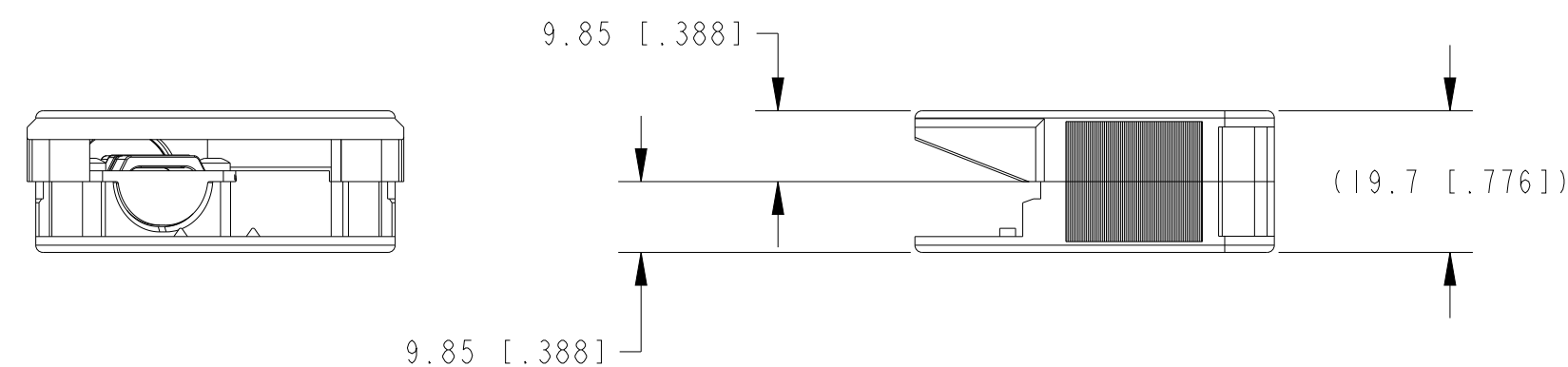
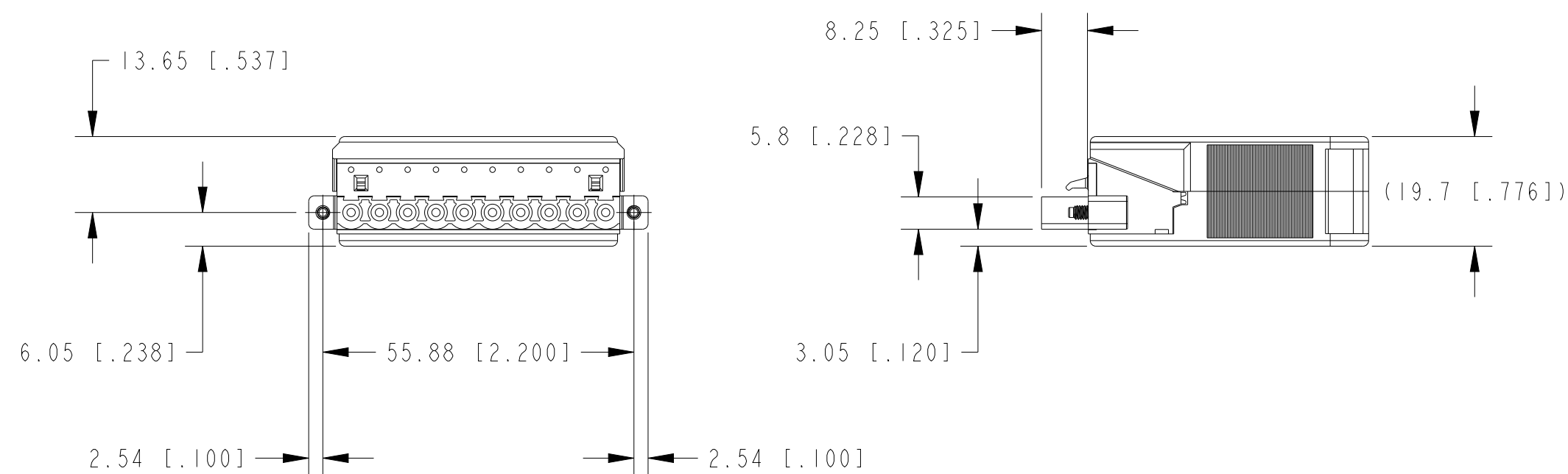
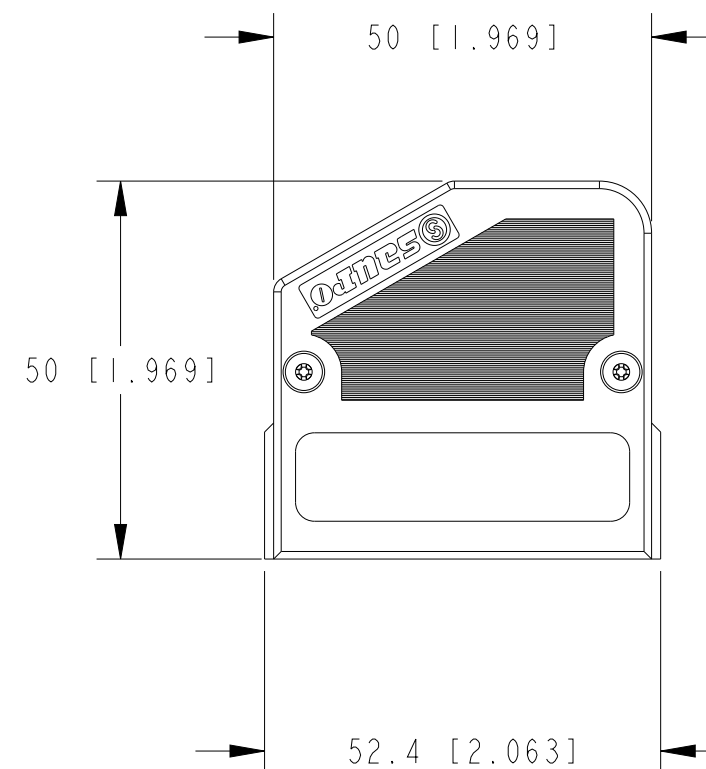
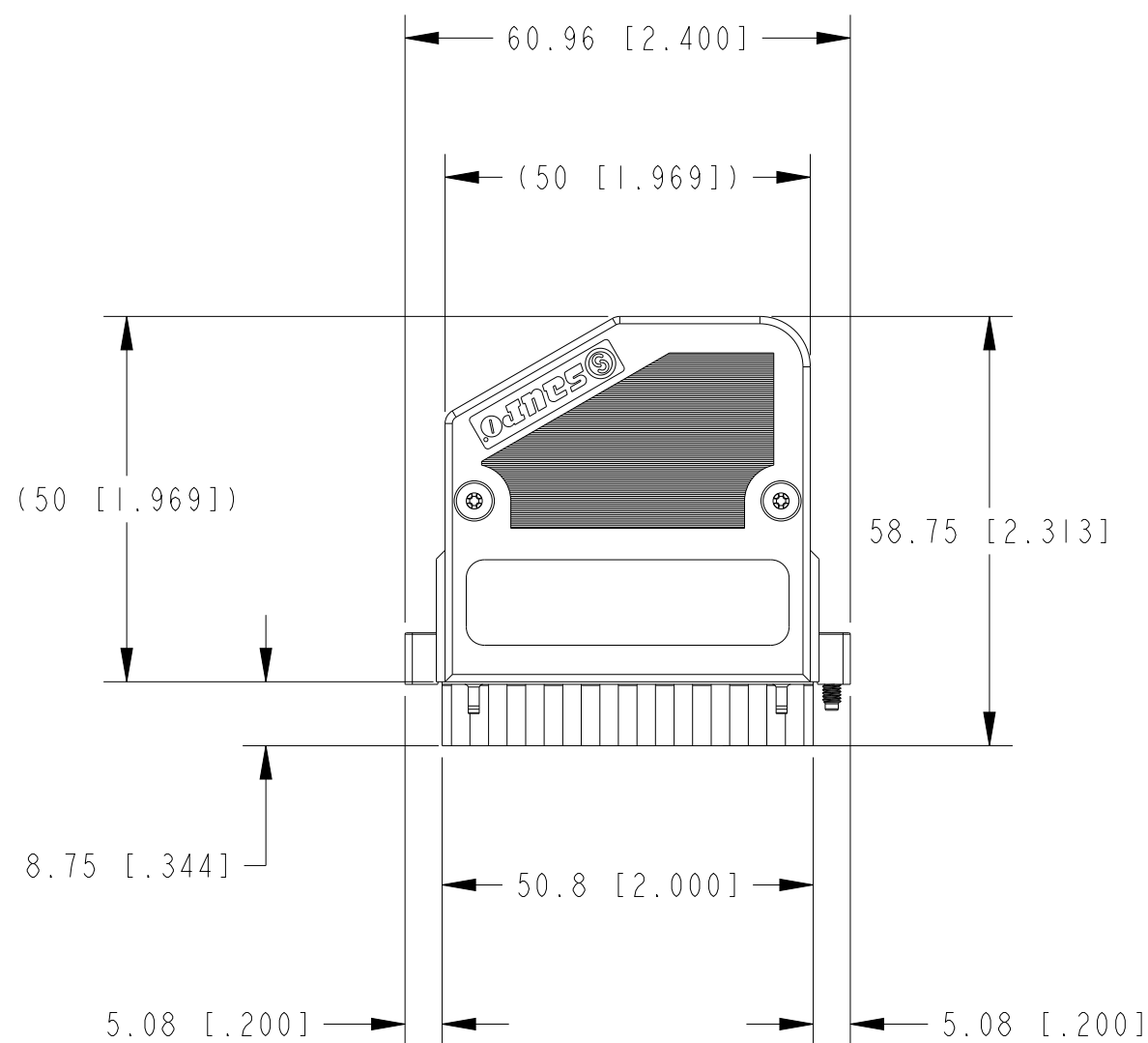
COPYRIGHT ©2016 NATIONAL INSTRUMENTS CORPORATION AND ITS LICENSORS. ALL RIGHTS RESERVED.



ISOMETRIC VIEW SHOWING 10PIN CONNECTOR



ISOMETRIC VIEW WITHOUT CONNECTOR

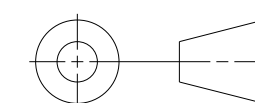


CUSTOMER DRAWING

UNLESS OTHERWISE SPECIFIED DIMENSIONS ARE IN INCHES AND [MILLIMETERS].

DO NOT SCALE DRAWING

THIRD ANGLE PROJECTION



AUSTIN, TEXAS

TITLE

NI 9981 STRAIN RELIEF

SIZE CODE IDENT NO. MM/DD/YYYY

C7U296

01/26/2016

SCALE: 1/1

SHEET 1 OF 1

- 2. DIMENSIONS IN () ARE FOR REFERENCE ONLY.
 - 1. REFER TO PRODUCT MANUAL ON NI.COM FOR MORE DETAILS
- NOTES: UNLESS OTHERWISE SPECIFIED.

4

3

2

1