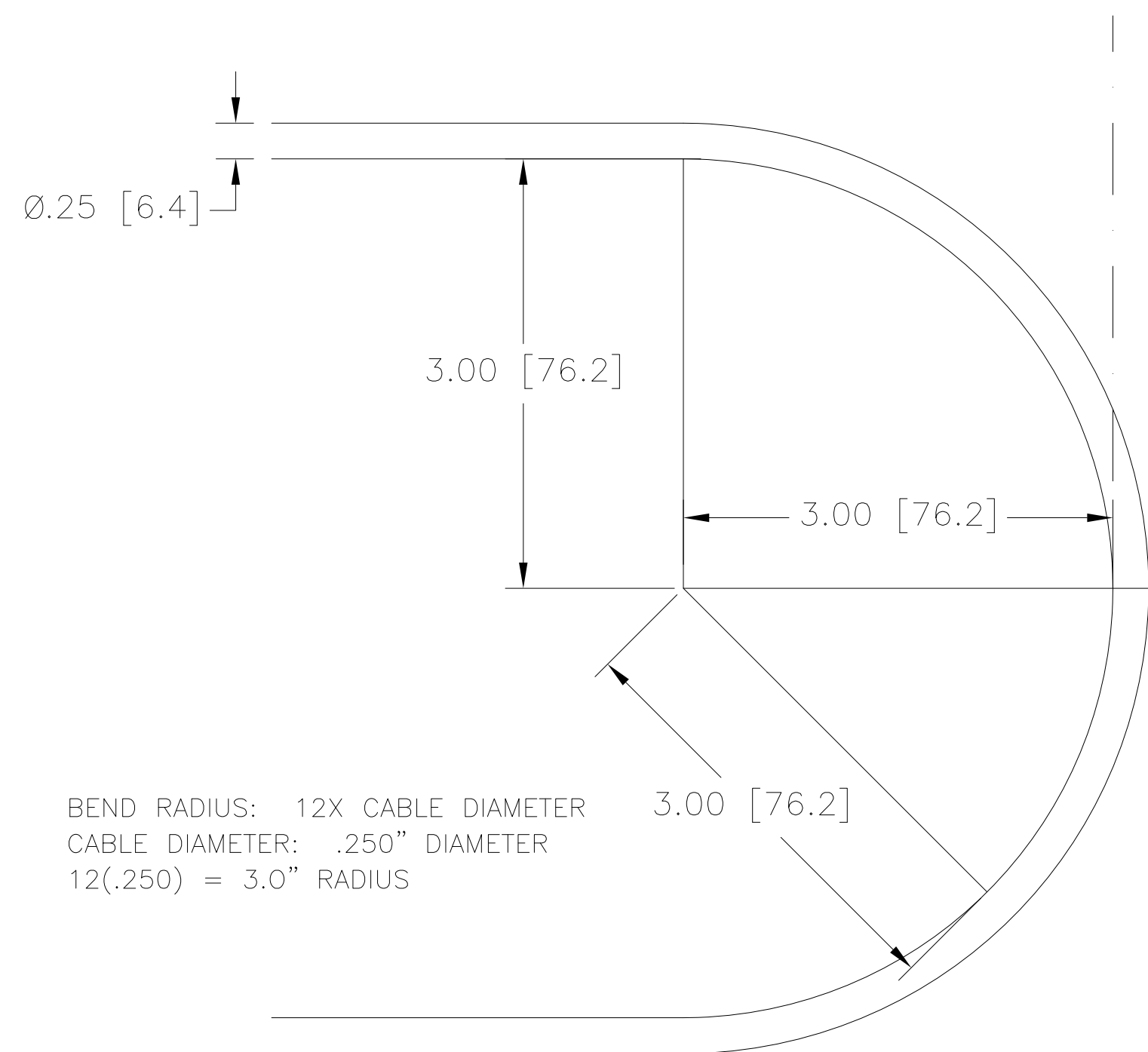
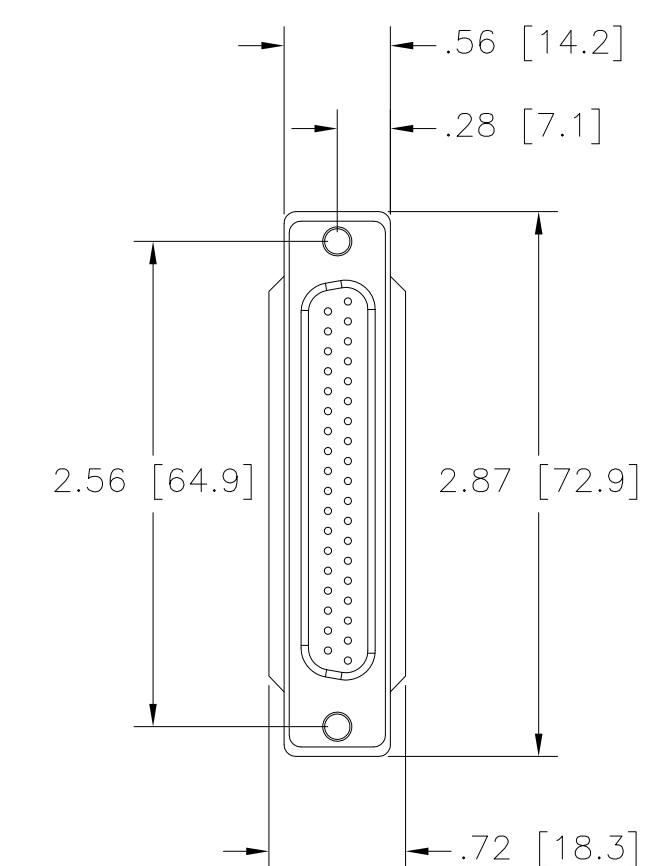
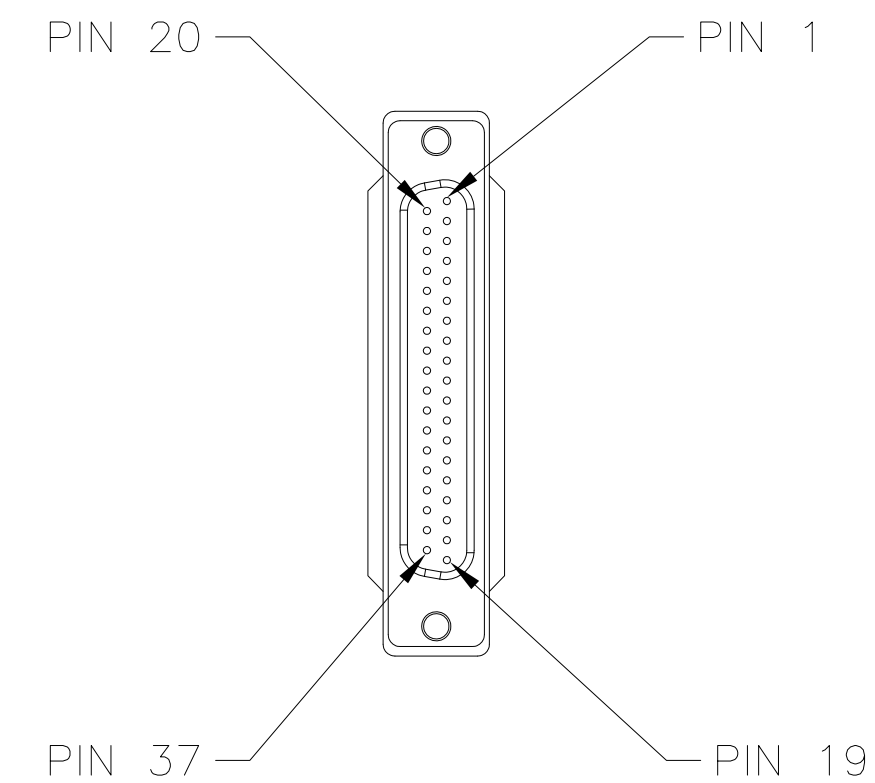
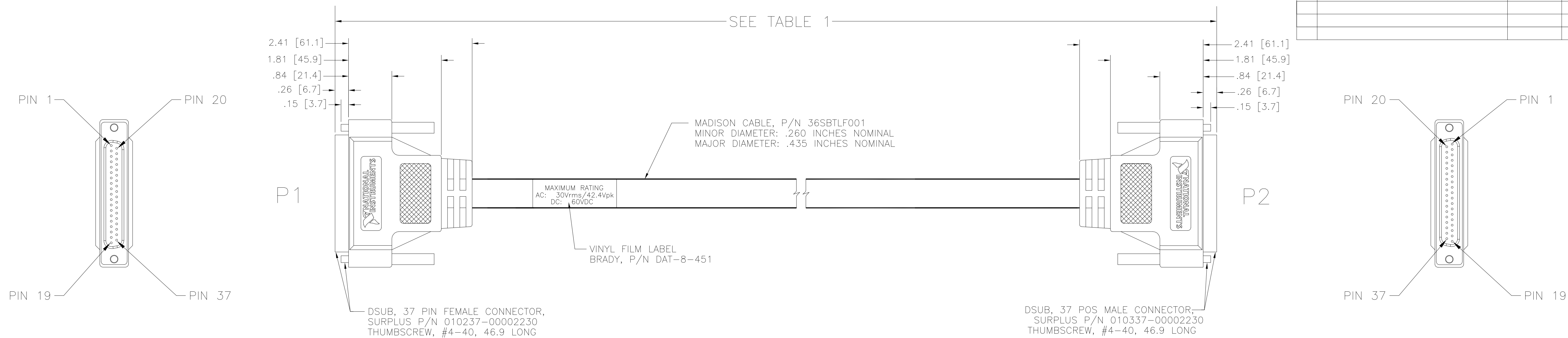


CUSTOMER DRAWING COMPATIBILITY			
REV	DESCRIPTION	DATE	APPROVED
A	DRAWING COMPATIBLE, RELEASED		



BEND RADIUS: 12X CABLE DIAMETER
 CABLE DIAMETER: .250" DIAMETER
 12(.250) = 3.0" RADIUS

BEND RADIUS EXAMPLE

WIRE LIST		
P1 DSUB	MAIN COLOR/LINE COLOR	P2 DSUB
PIN NO	COLOR CODE	PIN NO
20	WHITE/BLACK	20
1	BLACK/WHITE	1
2	SHIELD 1	2
3	WHITE/BROWN	3
21	BROWN/WHITE	21
22	SHIELD 2	22
23	WHITE/RED	23
4	RED/WHITE	4
5	SHIELD 3	5
6	WHITE/ORANGE	6
24	ORANGE/WHITE	24
25	SHIELD 4	25
26	WHITE/GREEN	26
7	GREEN/WHITE	7
8	SHIELD 5	8
9	WHITE/BLUE	9
27	BLUE/WHITE	27
28	SHIELD 6	28
29	WHITE/VIOLET	29
10	VIOLET/WHITE	10
11	SHIELD 7	11
12	WHITE/GRAY	12
30	GRAY/WHITE	30
31	SHIELD 8	31
SHELL		SHELL

WIRE LIST (CONT.)		
P1 DSUB	MAIN COLOR/LINE COLOR	P2 DSUB
PIN NO	COLOR CODE	PIN NO
13	BROWN/BLACK	13
14	BLACK/BROWN	14
32	RED/BLACK	32
14	BLACK/RED	14
33	BLACK/VIOLET	33
14	VIOLET/BLACK	14
15	BLACK/BLUE	15
16	BLUE/BLACK	16
34	BLUE/GREEN	34
16	GREEN/BLUE	16
35	BLACK/GREEN	35
16	GREEN/BLACK	16
17	VIOLET/ORANGE	17
18	ORANGE/VIOLET	18
36	BLACK/YELLOW	36
18	YELLOW/BLACK	18
37	GRAY/RED	37
18	RED/GRAY	18
19	YELLOW/ORANGE	19
18	ORANGE/YELLOW	18
SHELL		SHELL
SHELL		SHELL

TABLE 1	
LENGTH	TOLERANCE
<2M	+5 CM/-0 CM
2 TO 5M	+10 CM/-0 CM
>5M	+15 CM/-0 CM

CONDUCTOR SPECIFICATIONS:
 CONDUCTOR: 30AWG 7/38 TIN PLATED COPPER, .012 INCH DIAMETER
 INSULATION: .0075 INCHES OF HIGH DENSITY POLYPROPYLENE, .027 INCH DIAMETER
 BEND RADIUS: 12X CABLE DIAMETER (SEE EXAMPLE) PER SPECIFICATIONS
 2014 NEC SECTION 300.34 CONDUCTOR BEND RADIUS
 2014 NEC SECTION 300.24 BENDING RADIUS
 1. REFER TO PRODUCT MANUAL ON NI.COM FOR MORE DETAILS.
 NOTES: UNLESS OTHERWISE SPECIFIED.

CUSTOMER DRAWING

UNLESS OTHERWISE SPECIFIED DIMENSIONS ARE IN INCHES AND [MILLIMETERS]

NATIONAL INSTRUMENTS® AUSTIN, TEXAS

DO NOT SCALE DRAWING
 THIRD ANGLE PROJECTION

TITLE: DB37M-DB37F-EP

SIZE: D 7U296
 CODE IDENT NO.:
 DRAWING NO.: 09/19/16
 SCALE: 1/1 SHEET 1 OF 1