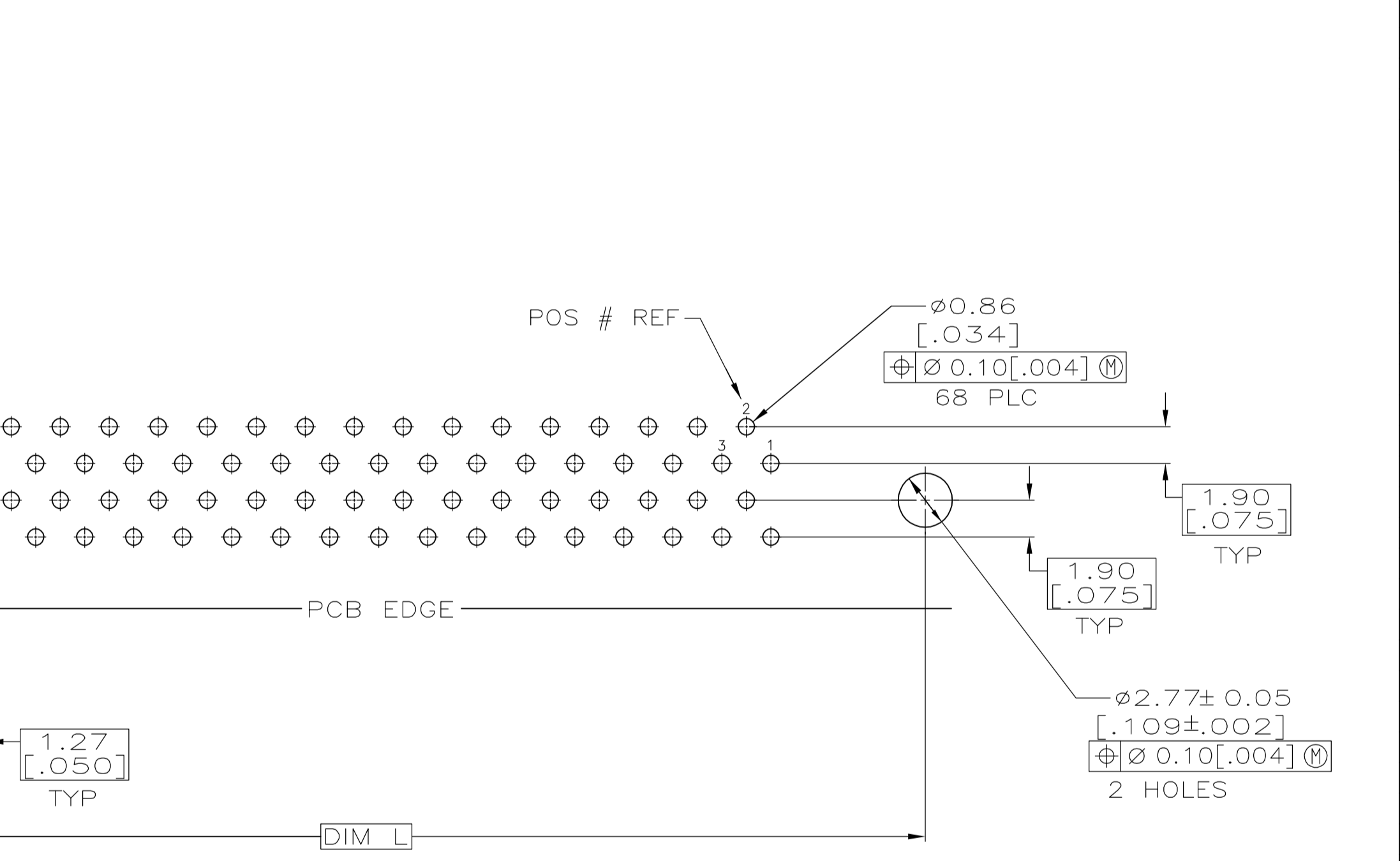
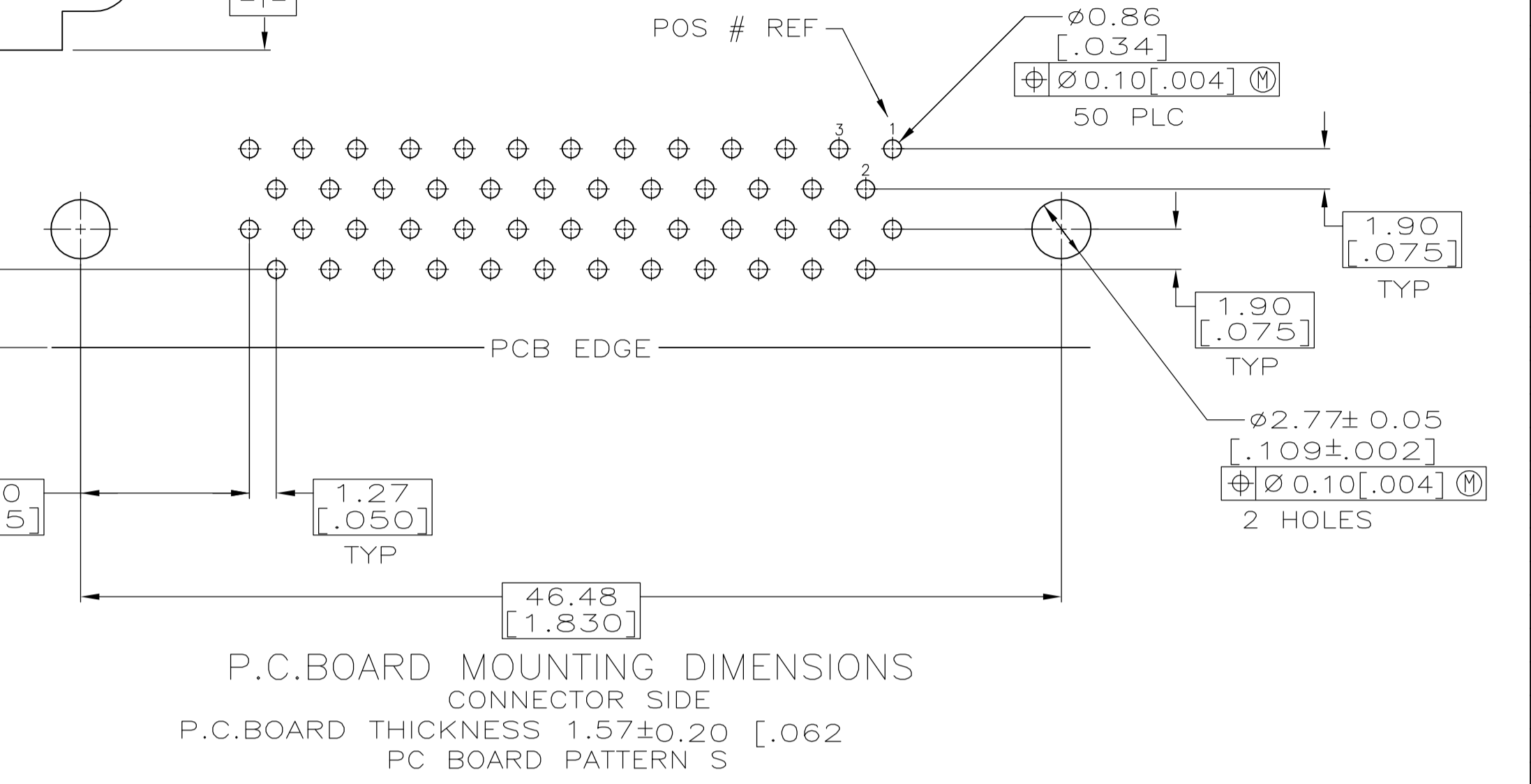
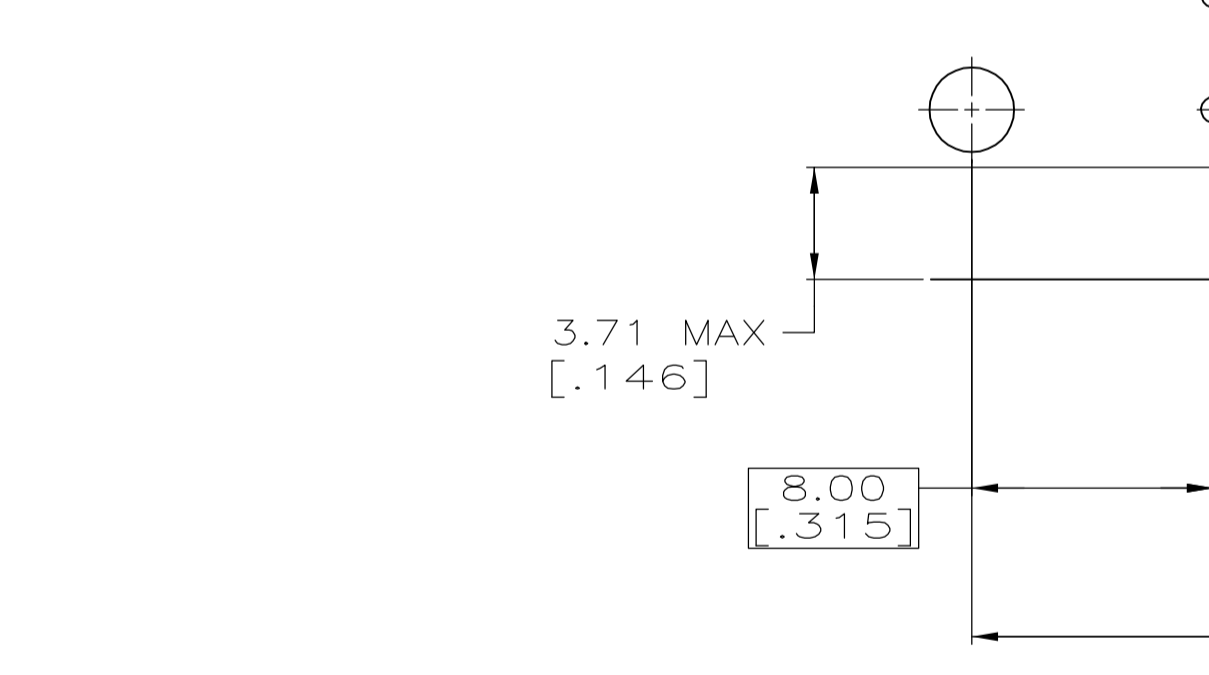
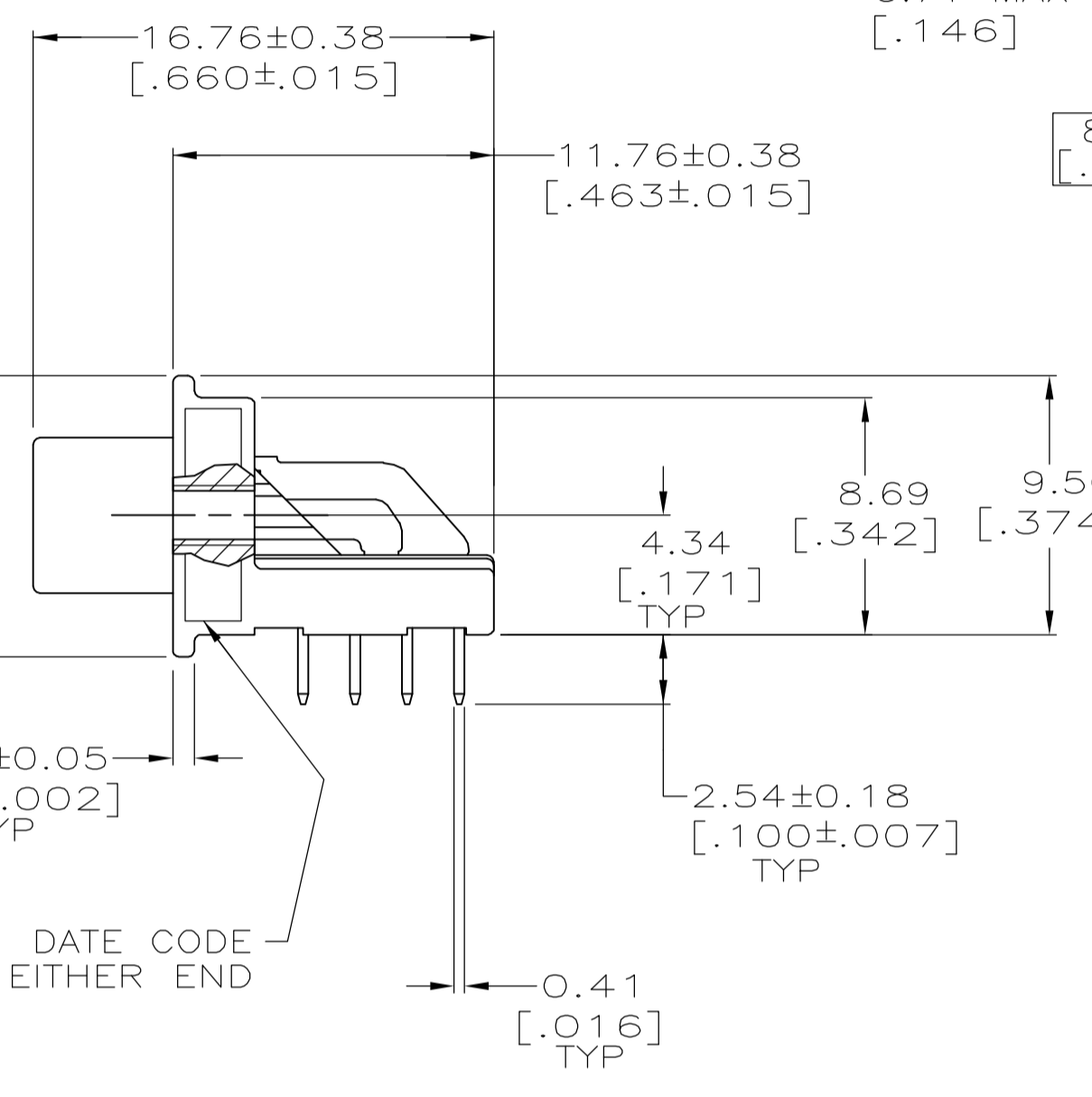


RECOMMENDED PANEL CUTOUT



P.C. BOARD MOUNTING DIMENSIONS
 CONNECTOR SIDE
 P.C. BOARD THICKNESS 1.57±0.20 [.062]
 PC BOARD PATTERN S

- 1 HOUSING & PIN SPACER: UL94V-0 RATED THERMOPLASTIC, COLOR BLACK.
 SHELL: CARBON STEEL.
 CONTACTS: PHOS BRONZE.
 BRACKET: ZINC.
- 2 SHELL: 0.00508[.000200] MIN NICKEL OVER 0.00127[.000050] MIN COPPER.
 CONTACTS: 0.00076[.000030] MIN GOLD ON MATING END, 0.00381[.000150] MIN TIN ON SOLDER END, ALL OVER 0.00127[.000050] MIN NICKEL ON ENTIRE CONTACT.
 BRACKET: 0.00254[.000100] MIN NICKEL OVER 0.00508[.000200] MIN COPPER.

	T	78.23	0.64	69.44	82.04	84.20	66.45	78.23	100	5787169-9
	T	57.91	0.64	49.12	61.72	63.88	46.13	57.91	68	5787169-7
OBSOLETE	S	-	1.27	37.69	50.29	52.45	34.70	46.48	50	5787169-5
	PC BOARD PATTERN	L	G	F	E	D	B	A	NO OF POSN	PART NUMBER

THIS DRAWING IS A CONTROLLED DOCUMENT.

DIMENSIONS: mm[INCHES]	TOLERANCES UNLESS OTHERWISE SPECIFIED:	APPRO	DATE	NAME
0 PLC ± .005	1 PLC ± .005	J. GERACE	20JAN05	M. WALMSLEY
1 PLC ± .005	2 PLC ± .005	S. SHUEY	13DEC05	
3 PLC ± .005	4 PLC ± .005			
ANGLES ± .005				
MATERIAL	FINISH	WEIGHT	SIZE	CAGE CODE
			A1	00779

RECEPTACLE ASSEMBLY, RIGHT ANGLE, SHIELDED, 1.27[.050] SERIES, AMPLIMITE

SCALE 4:1 SHEET 1 OF 1 REV 01