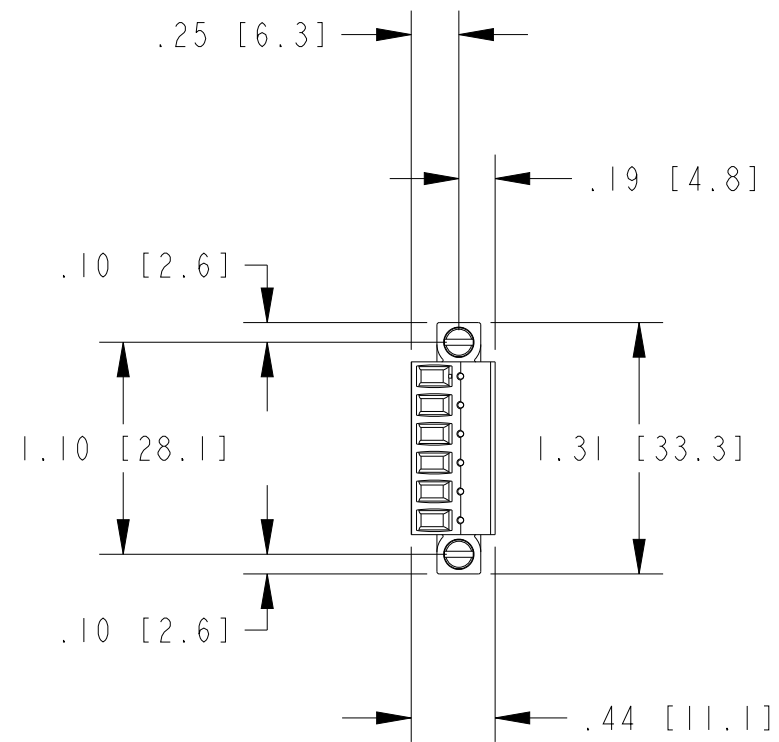
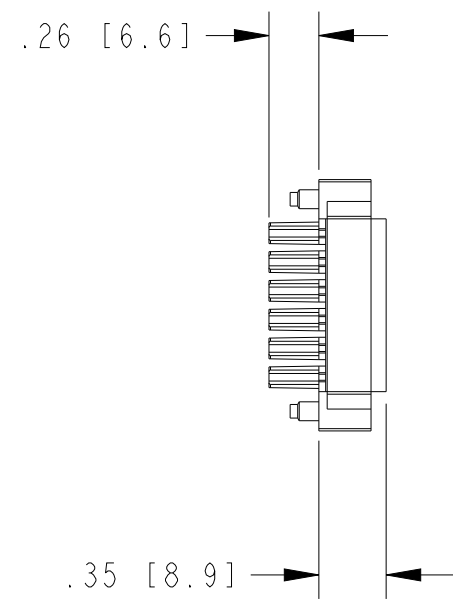
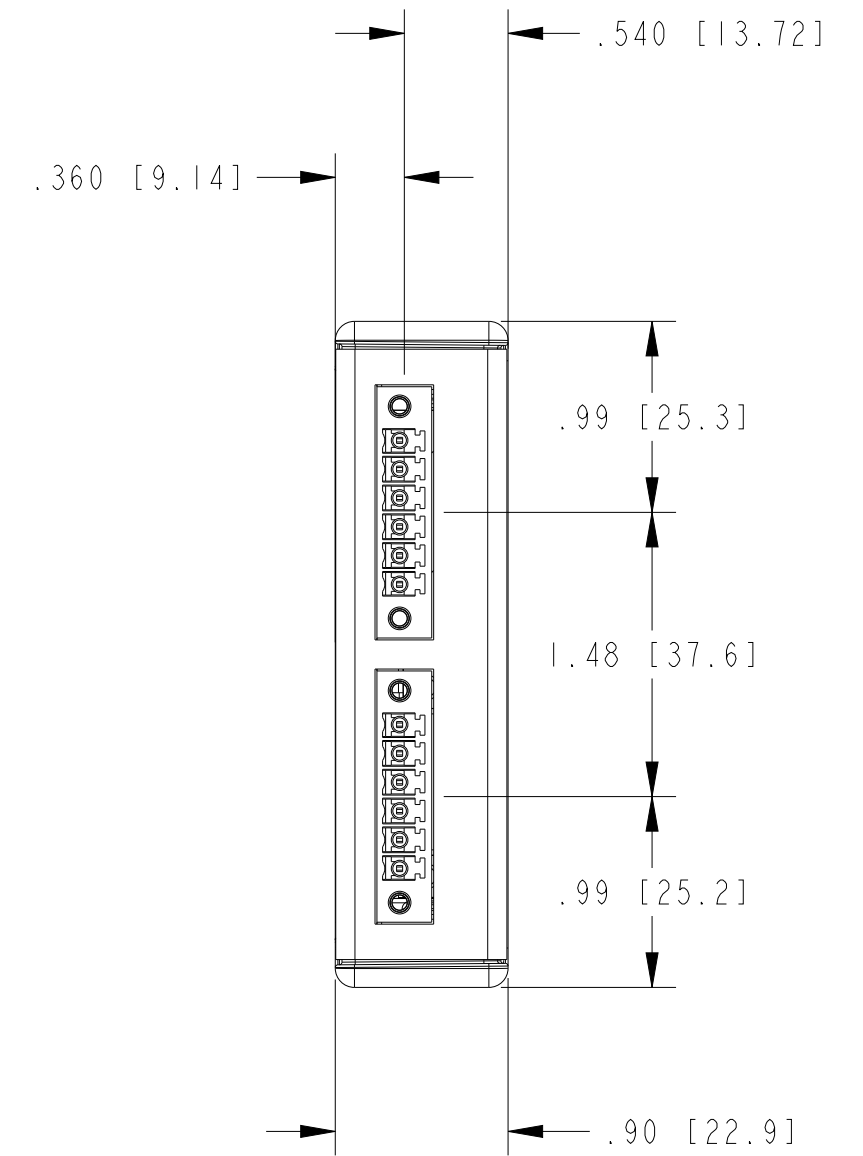
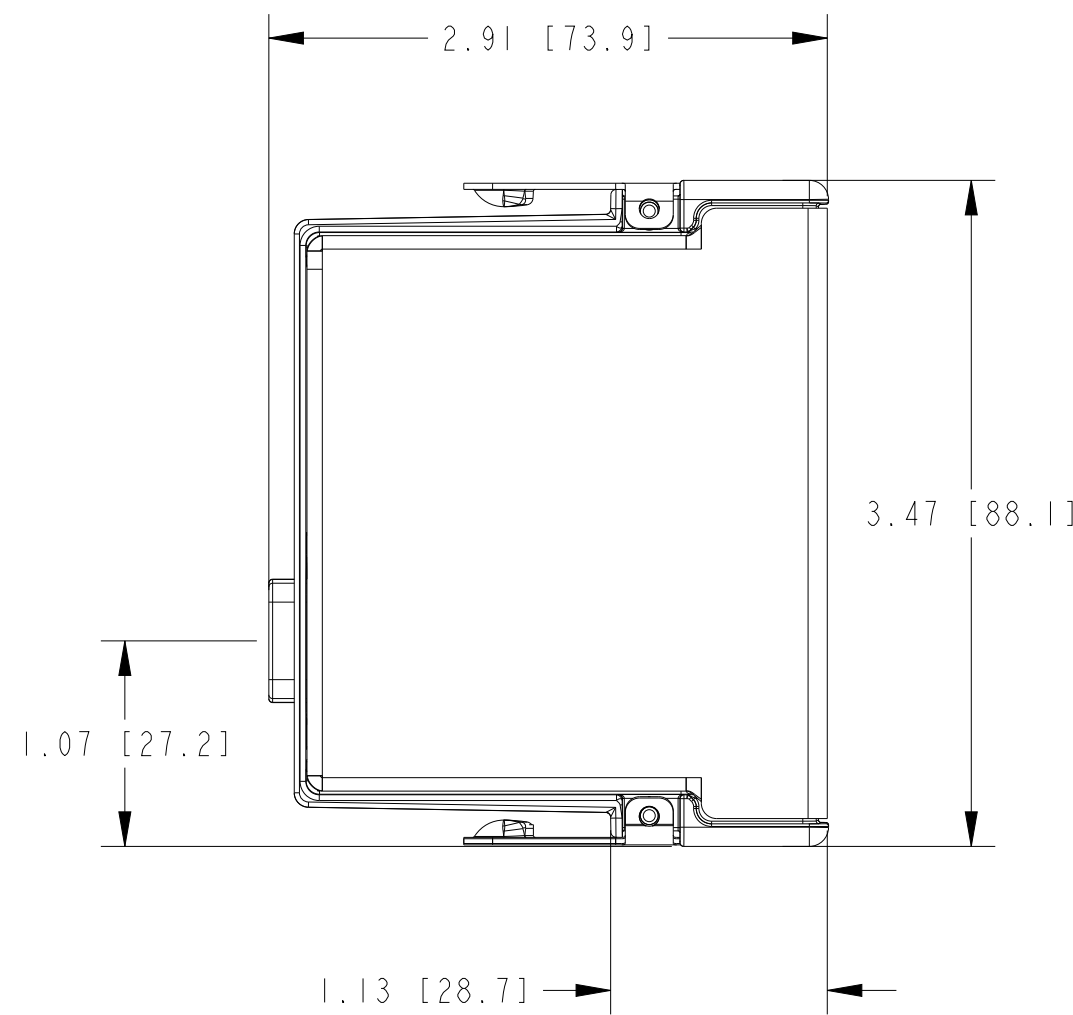
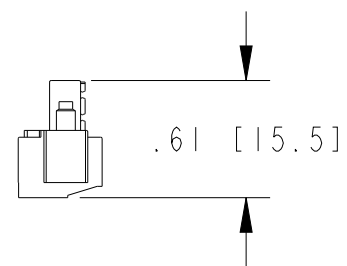
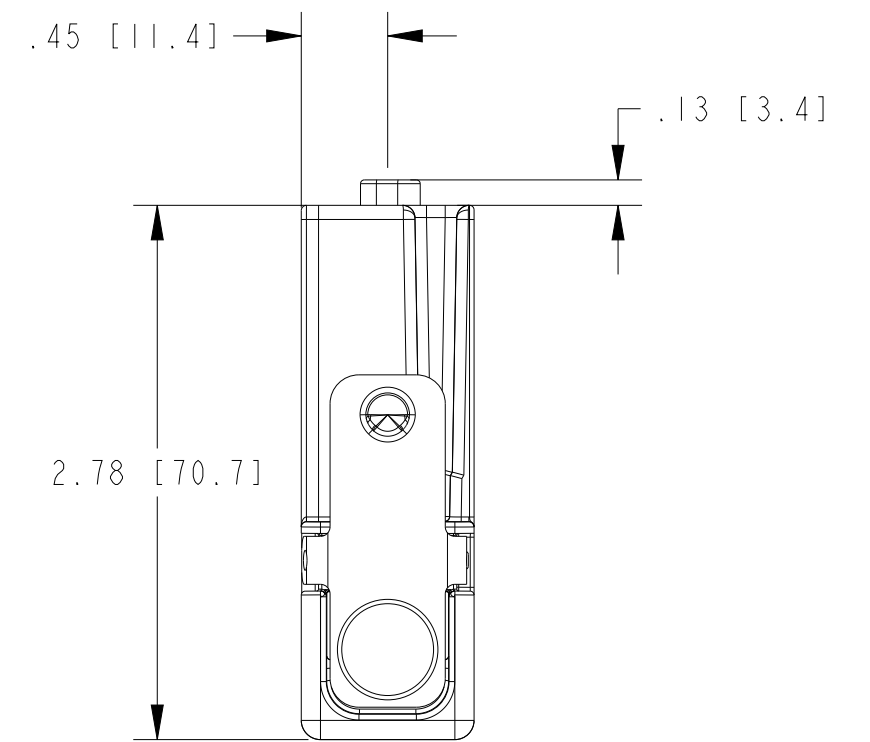
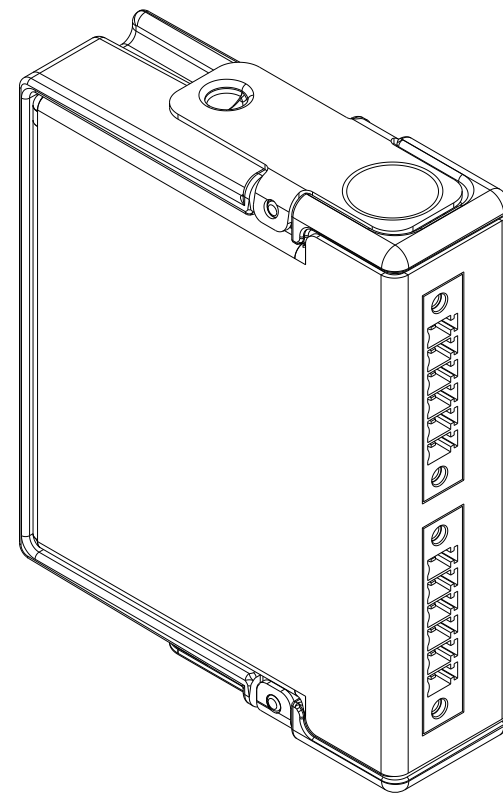


NI 9997
 WITH SCREW TERMINALS



6POS SCREW TERMINAL

NI 9997
 BASE MODULE

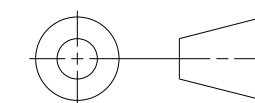
CUSTOMER DRAWING

1. REFER TO PRODUCT MANUAL ON NI.COM FOR MORE DETAILS

UNLESS OTHERWISE SPECIFIED
 DIMENSIONS ARE IN INCHES AND
 [MILLIMETERS].

DO NOT SCALE DRAWING

THIRD ANGLE PROJECTION



AUSTIN, TEXAS

TITLE

NI 9997

SIZE CODE IDENT NO. MM/DD/YYYY

C7U296

12/15/2015

SCALE: 1/1

SHEET 1 OF 1