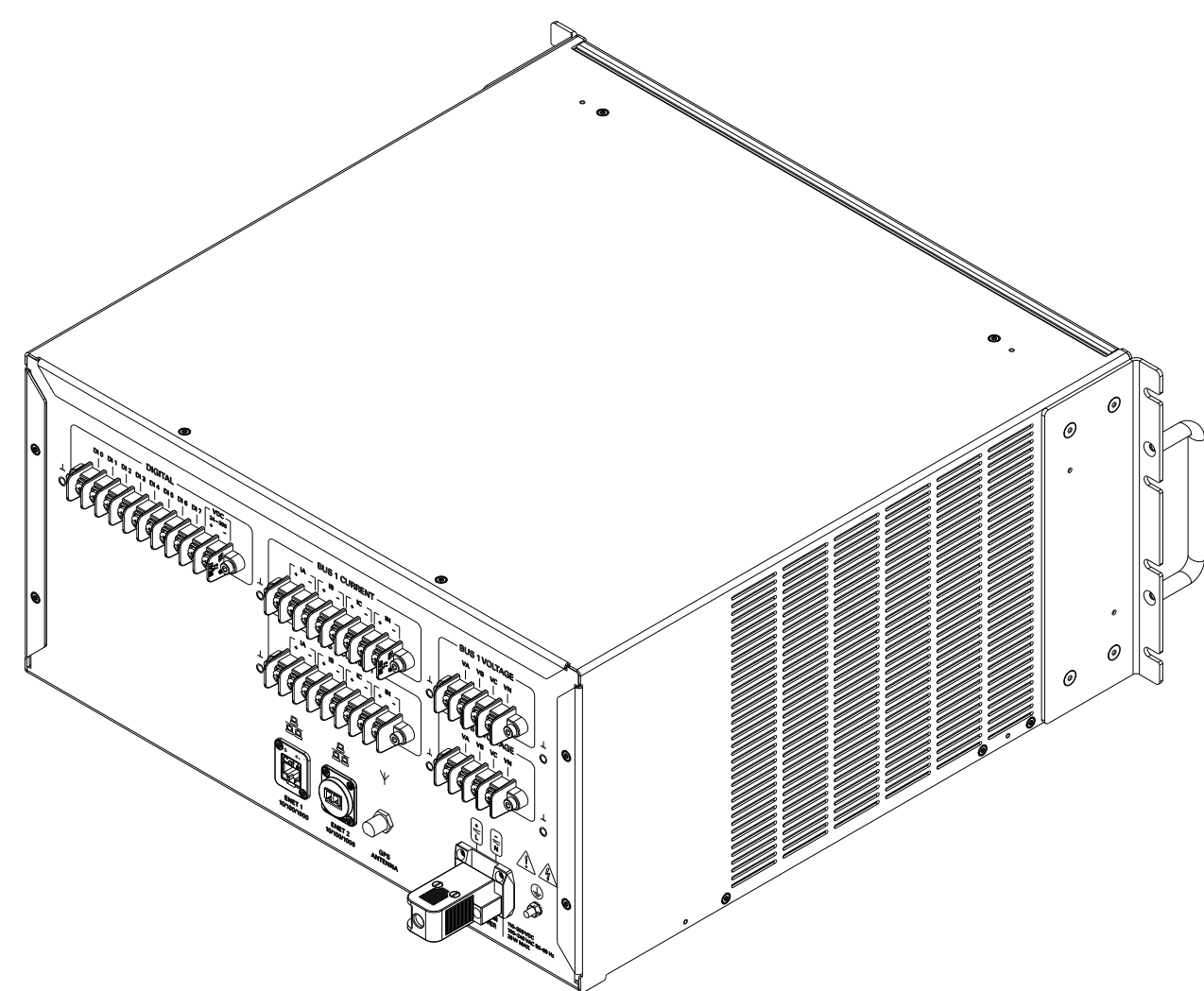
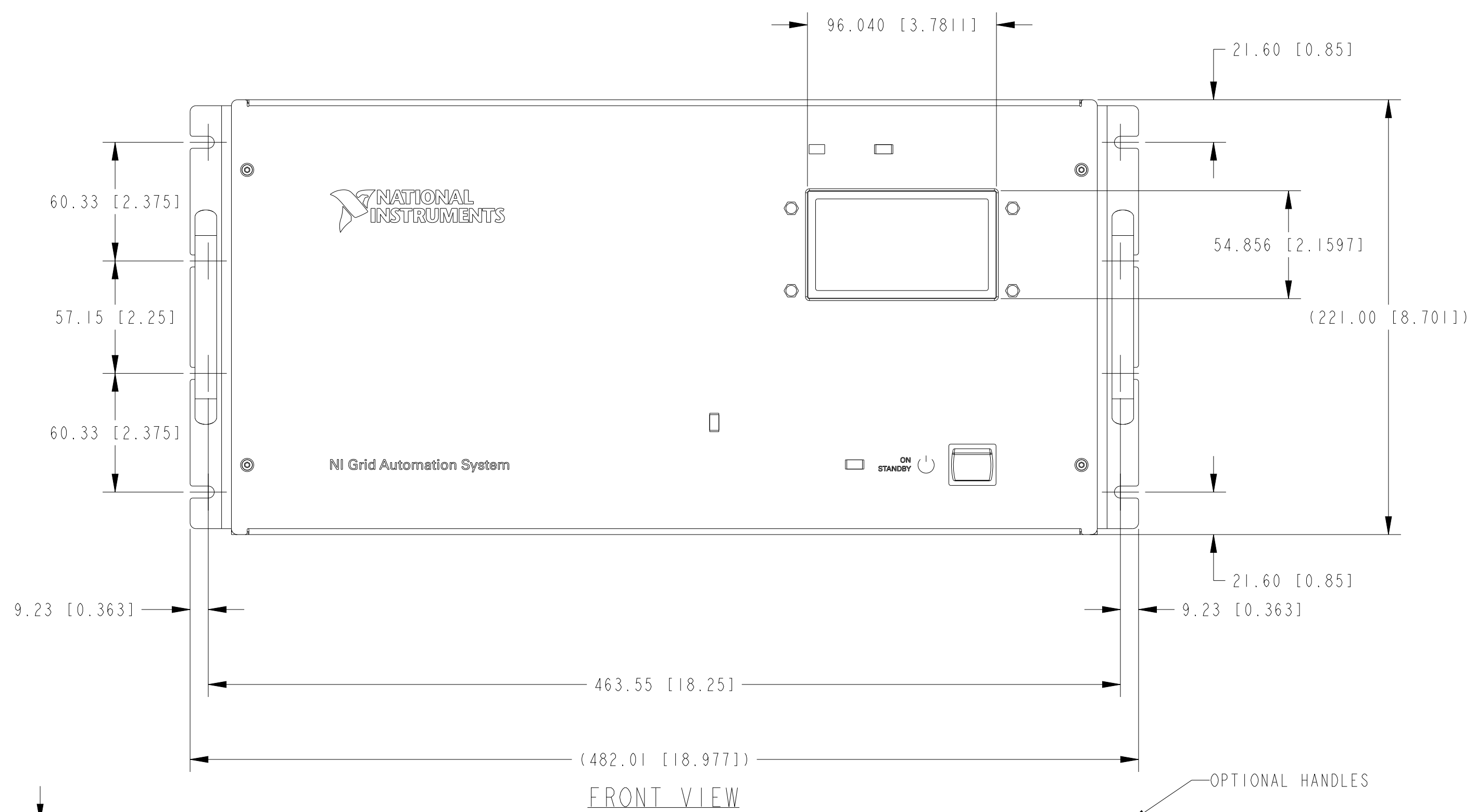


SCALE 1/4

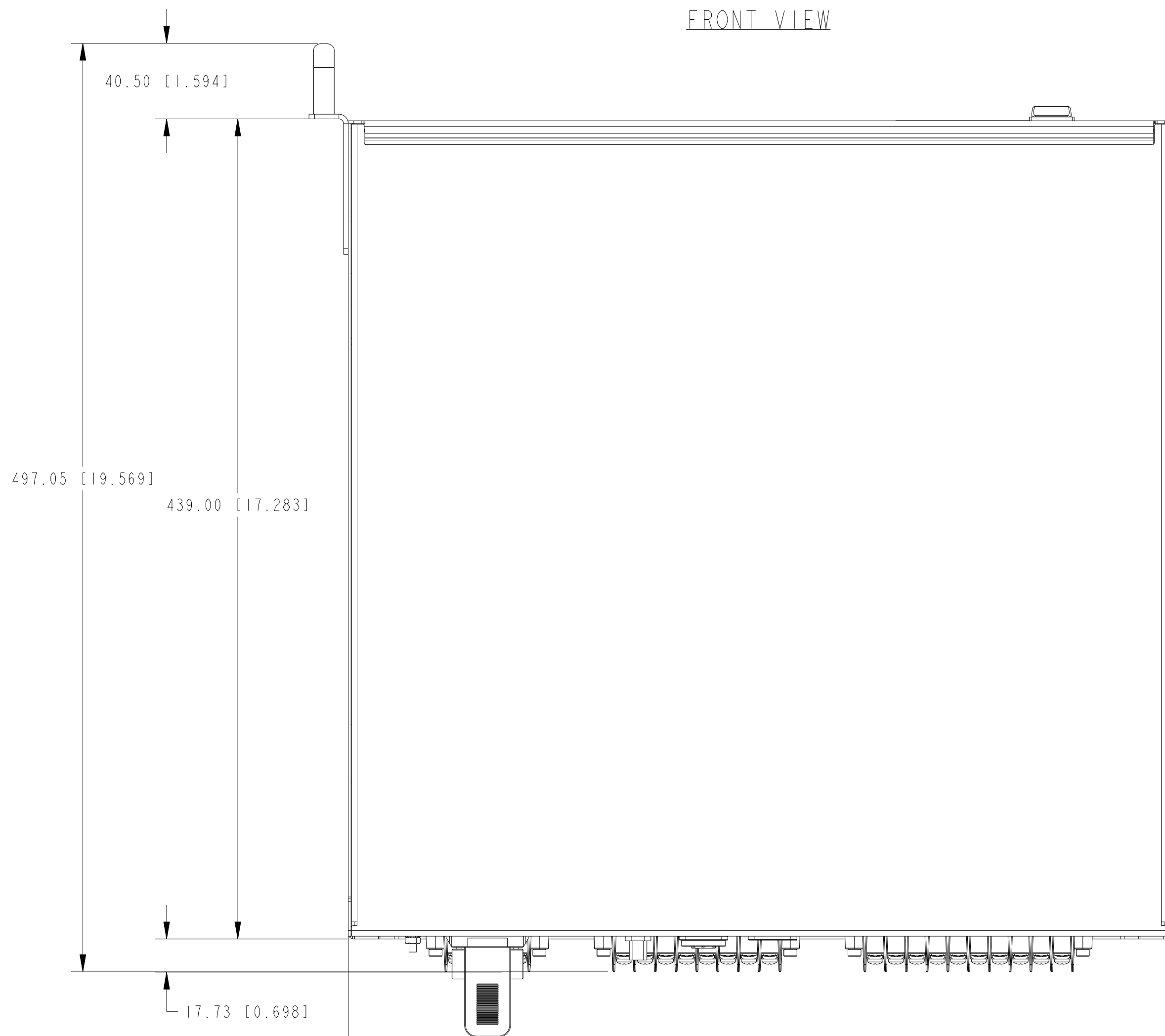


SCALE 1/4



FRONT VIEW

OPTIONAL HANDLES

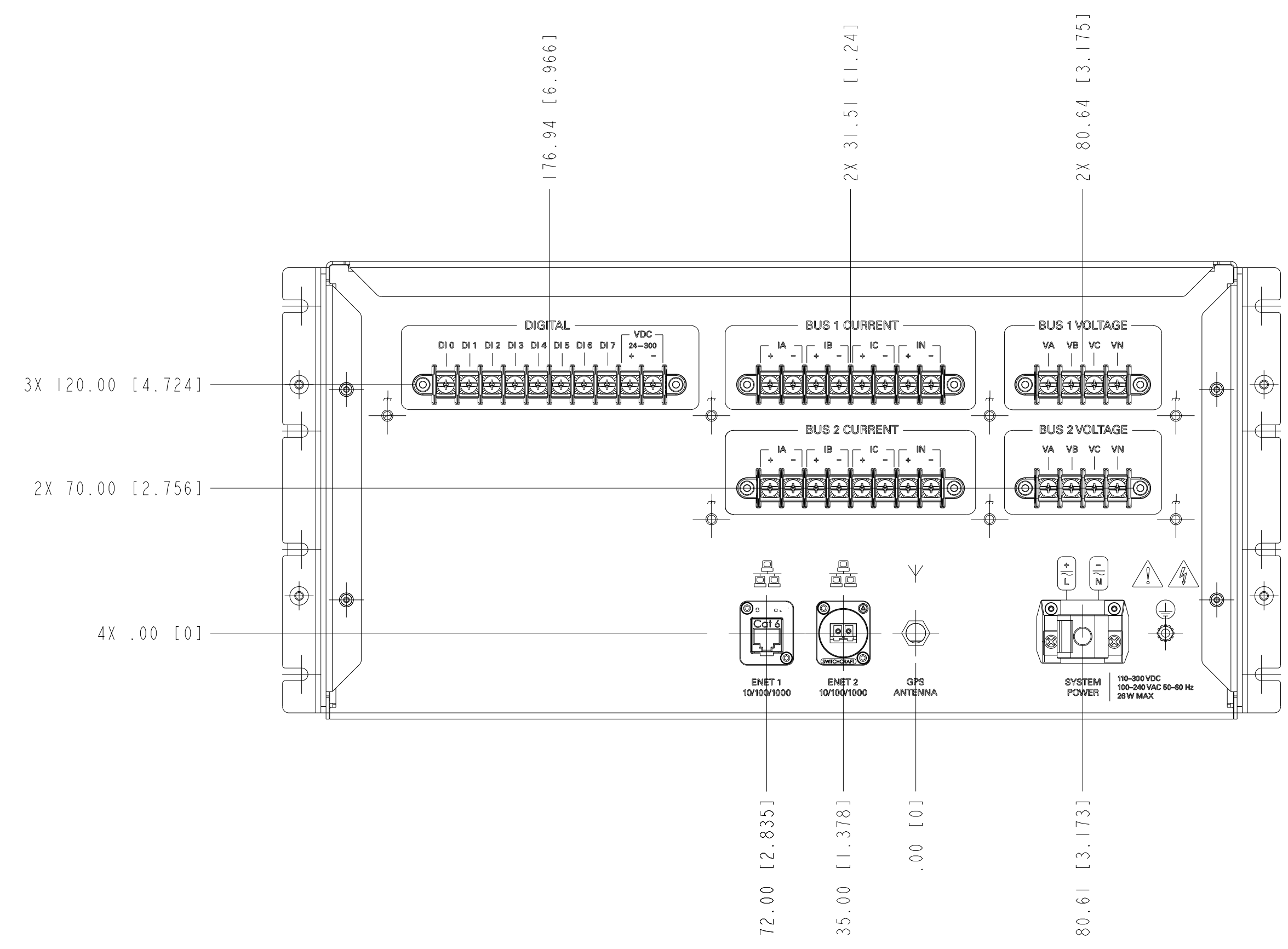


BOTTOM VIEW

METRIC

2. REFER TO PRODUCT MANUAL ON NI.COM FOR MORE DETAILED DIMENSIONS.
 1. REFER TO PRODUCT MANUAL FOR MORE DETAILS
 NOTES: UNLESS OTHERWISE SPECIFIED.

UNLESS OTHERWISE SPECIFIED, DIMENSIONS ARE IN INCHES AND (MILLIMETERS). DO NOT SCALE DRAWING THIRD ANGLE PROJECTION 	NATIONAL INSTRUMENTS® AUSTIN, TEXAS
	TITLE NI-9725
	SIZE CODE IDENT NO. MM/DD/YYYY D7U296 12/03/2014 SCALE: 1/2 SHEET 1 OF 2 CU.WATSON



REAR PANEL VIEW