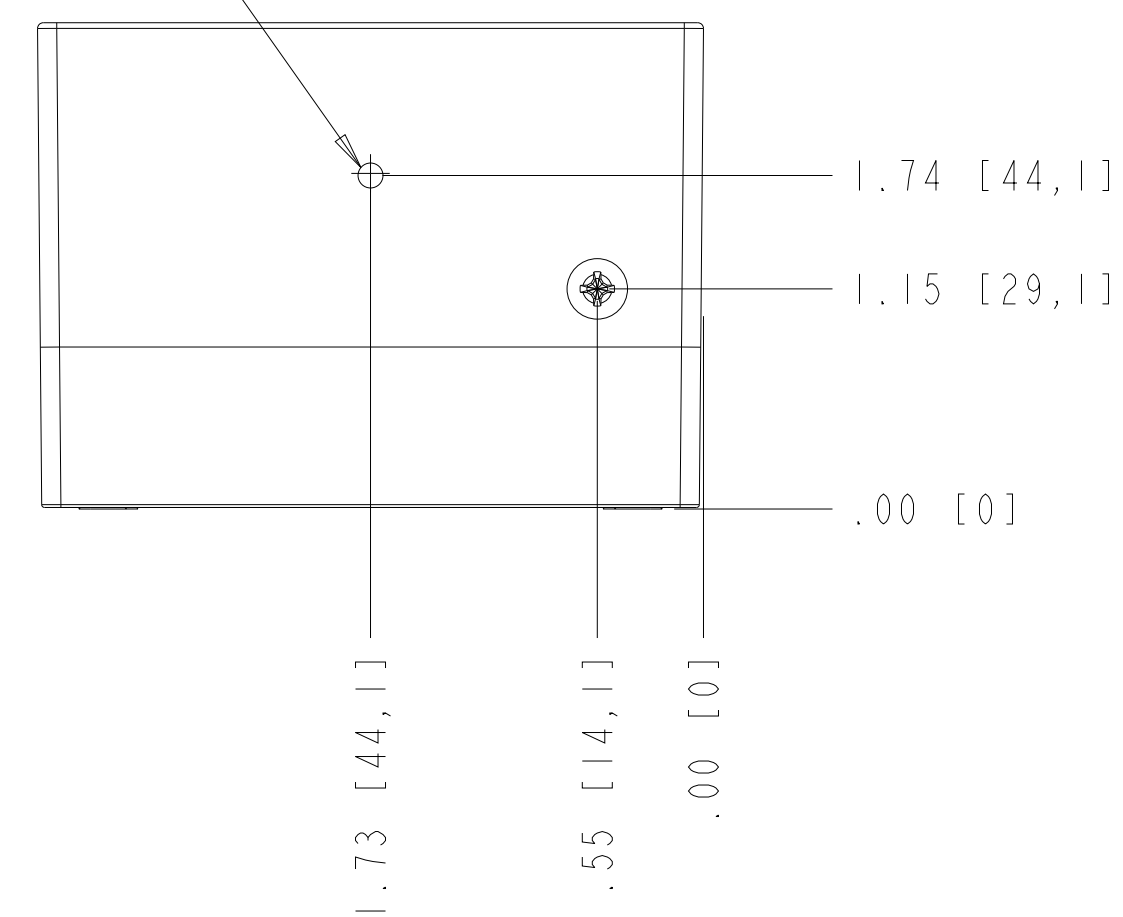


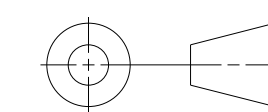
2X M4 X .07, .20 [5] MAX INSERTION DEPTH



1. REFER TO PRODUCT MANUAL ON NI.COM FOR MORE DETAILS

UNLESS OTHERWISE SPECIFIED  
 DIMENSIONS ARE IN INCHES AND  
 (MILLIMETERS).

DO NOT SCALE DRAWING  
 THIRD ANGLE PROJECTION



**NATIONAL INSTRUMENTS**<sup>®</sup>  
 AUSTIN, TEXAS

TITLE  
 cRIO-9064/5

SIZE CODE IDENT NO. MM/DD/YYYY  
 D7U296 04/15/2015

SCALE: 1,000

SHEET 1 OF 1

CRIO-9064.5