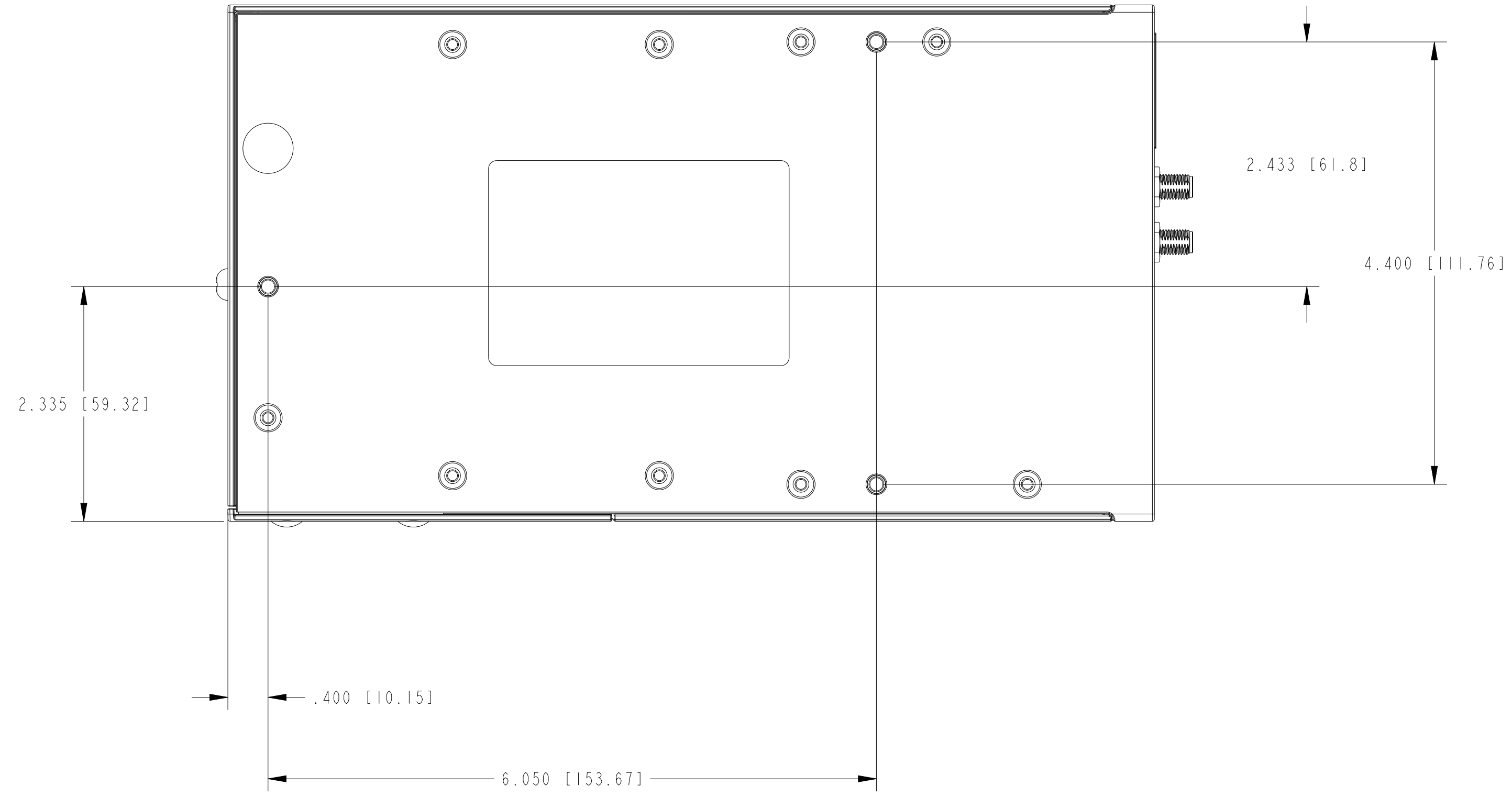
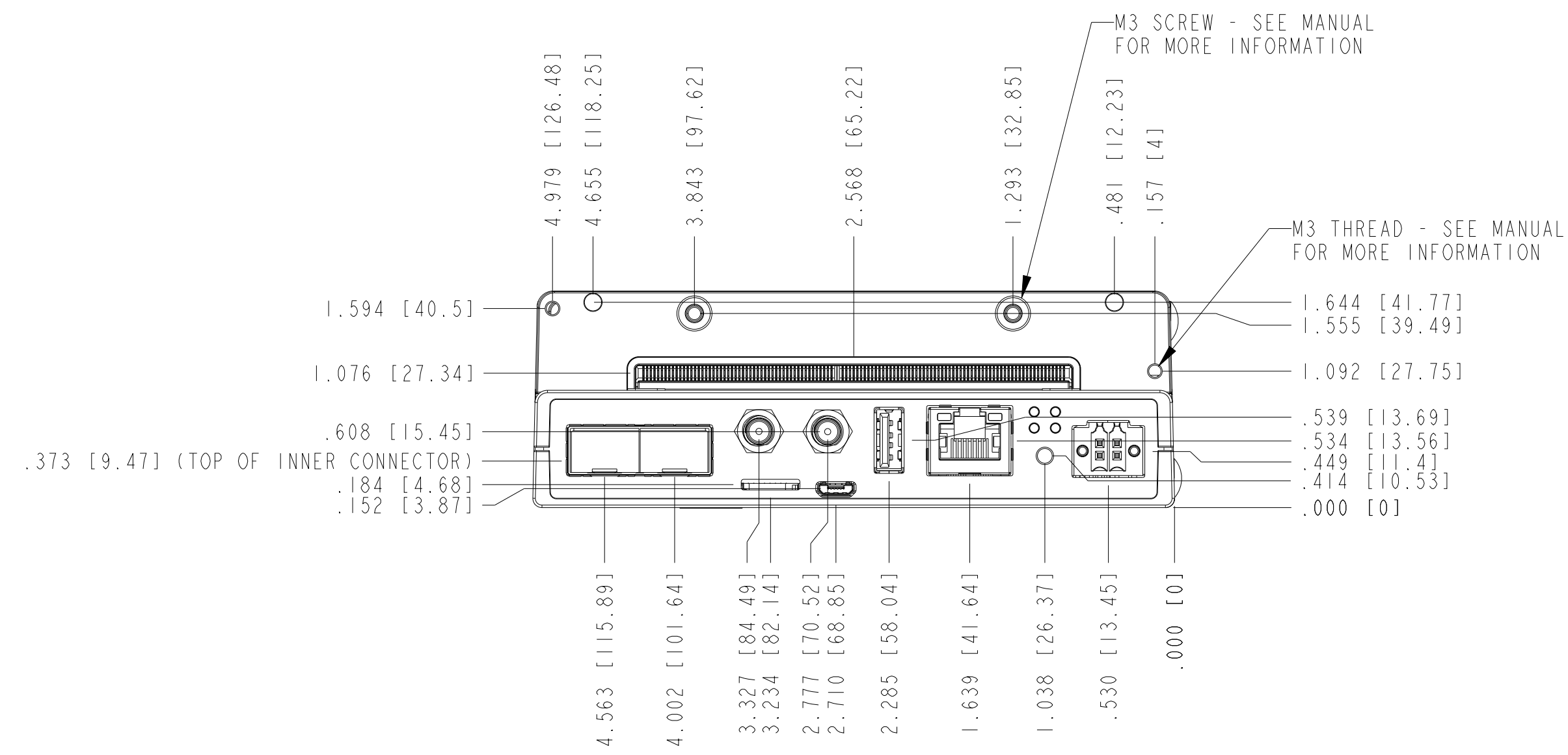
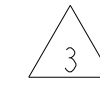


- 3 OPTIONAL MOUNTING ACCESSORIES AVAILABLE AT NI.COM
  - 2 USER MUST PROVIDE MINIMUM COOLING/VENTING CLEARANCE AROUND PRODUCT AS SHOWN. FAILURE TO PROVIDE CLEARANCE MAY RESULT IN PRODUCT THERMAL RELATED FAILURES.
1. REFER TO PRODUCT MANUAL ON NI.COM FOR MORE DETAILS
- NOTES: UNLESS OTHERWISE SPECIFIED.

UNLESS OTHERWISE SPECIFIED DIMENSIONS ARE IN INCHES AND [MILLIMETERS].	NATIONAL INSTRUMENTS® AUSTIN, TEXAS	
	TITLE NI 7935R / NI 7932R / NI 7931R Controller for FlexRIO	
DO NOT SCALE DRAWING THIRD ANGLE PROJECTION	SIZE CODE IDENT NO. MM/DD/YYYY D 7U296 12/01/15	SCALE: 1/1 SHEET 1 OF 2 CU.7935R.7932R



MOUNTING HOLE LOCATIONS

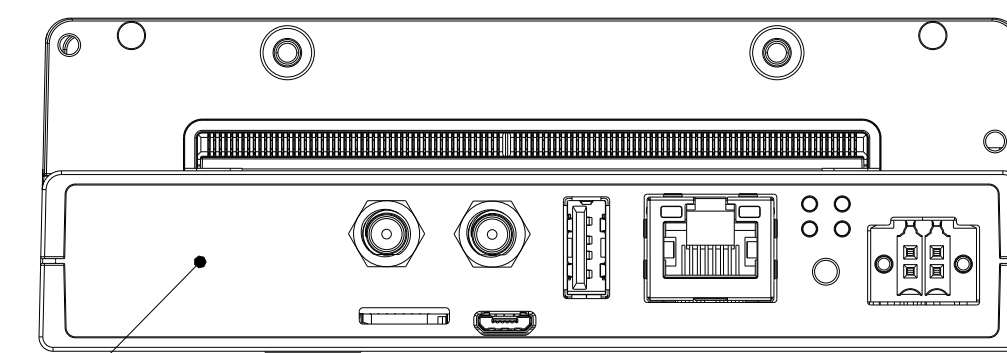


NI 7935R & NI 7932R

M3 SCREW - SEE MANUAL FOR MORE INFORMATION

M3 THREAD - SEE MANUAL FOR MORE INFORMATION

CONNECTOR NOT POPULATED FOR 7932R VERSION



NI 7931R  
 DIMENSIONS IDENTICAL TO 7935R & 7932R