

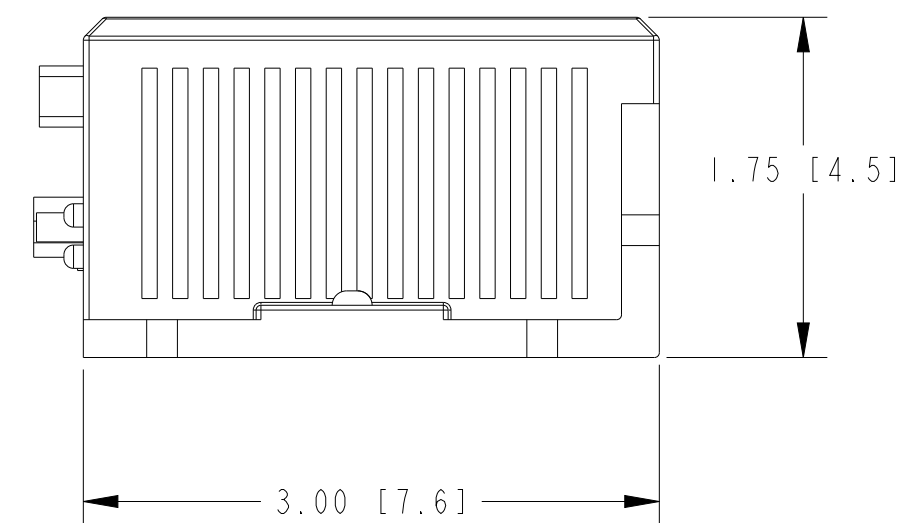
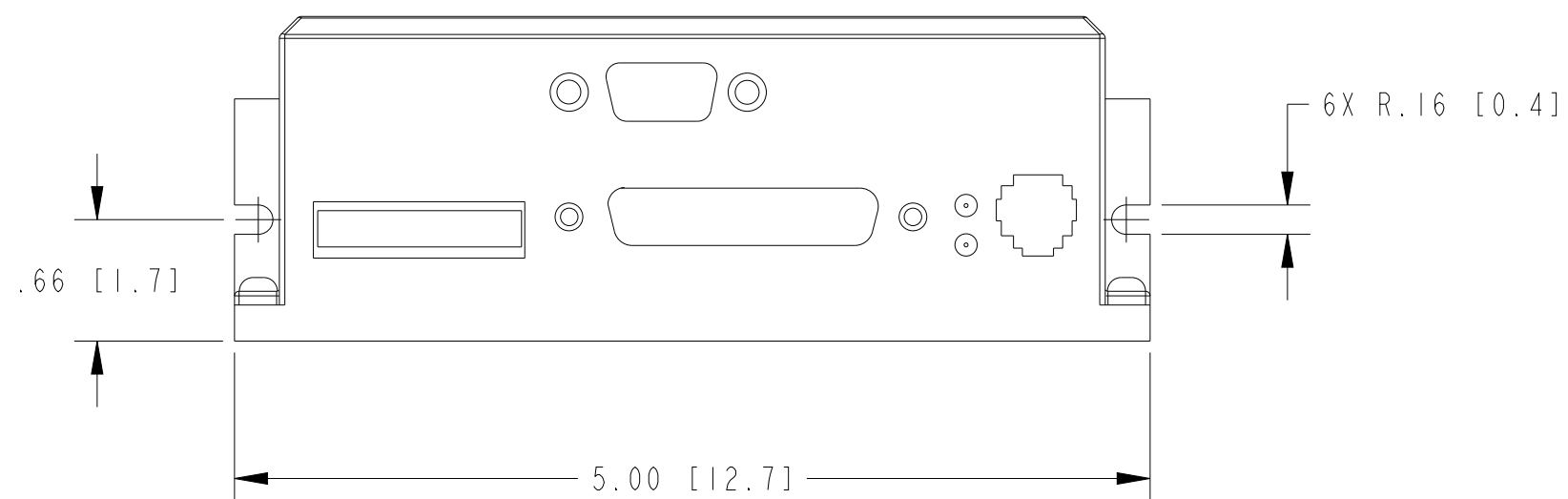
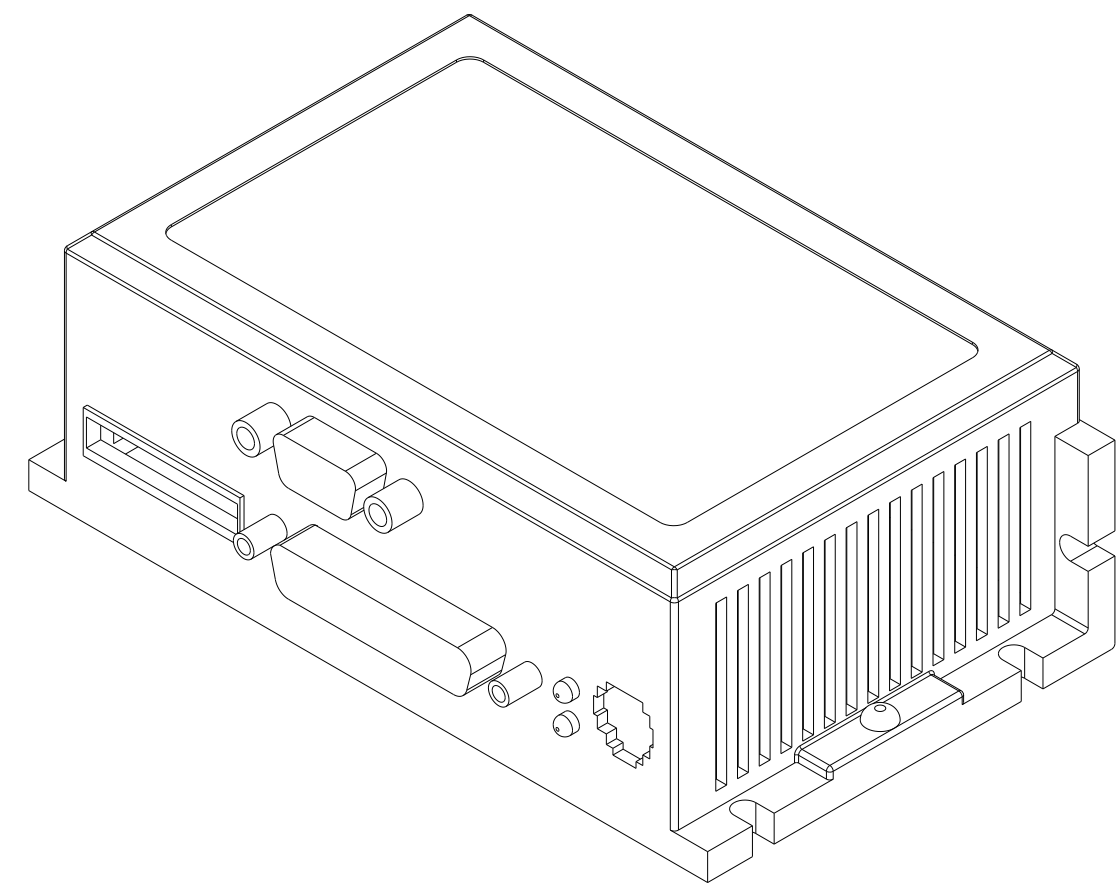
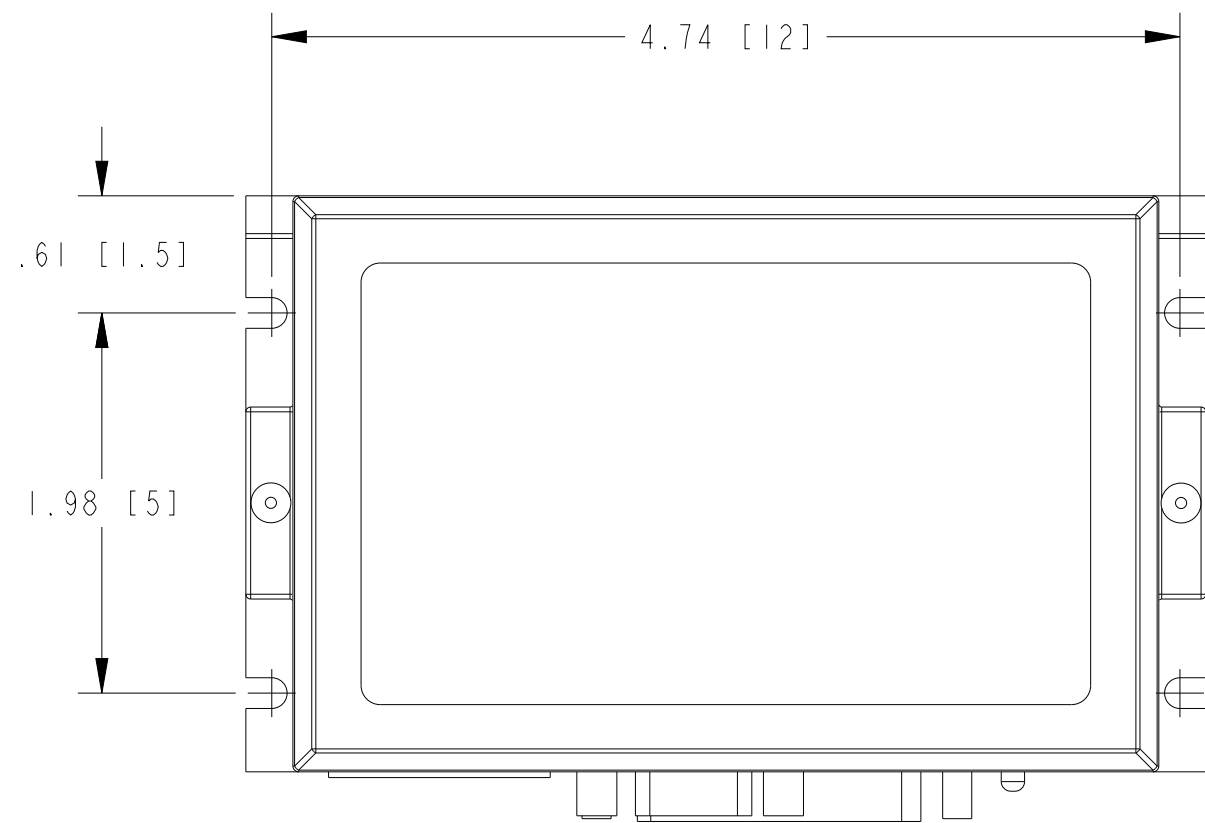
4

3

2

1

COPYRIGHT ©2014
NATIONAL INSTRUMENTS CORPORATION AND ITS LICENSORS. ALL RIGHTS RESERVED.

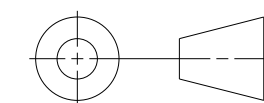


CUSTOMER DRAWING

UNLESS OTHERWISE SPECIFIED
DIMENSIONS ARE IN INCHES AND
[MILLIMETERS].

DO NOT SCALE DRAWING

THIRD ANGLE PROJECTION



AUSTIN, TEXAS

TITLE

SMD-7613, 7614, 7615, 7616

SIZE CODE IDENT NO. MM/DD/YYYY

C 7U296

08/01/14

SCALE: 1/1

SHEET 1 OF 1

1. REFER TO PRODUCT MANUAL ON NI.COM FOR MORE DETAILS
NOTES: UNLESS OTHERWISE SPECIFIED.

4

3

2

CU_SMD-7613-7614-7615-7616