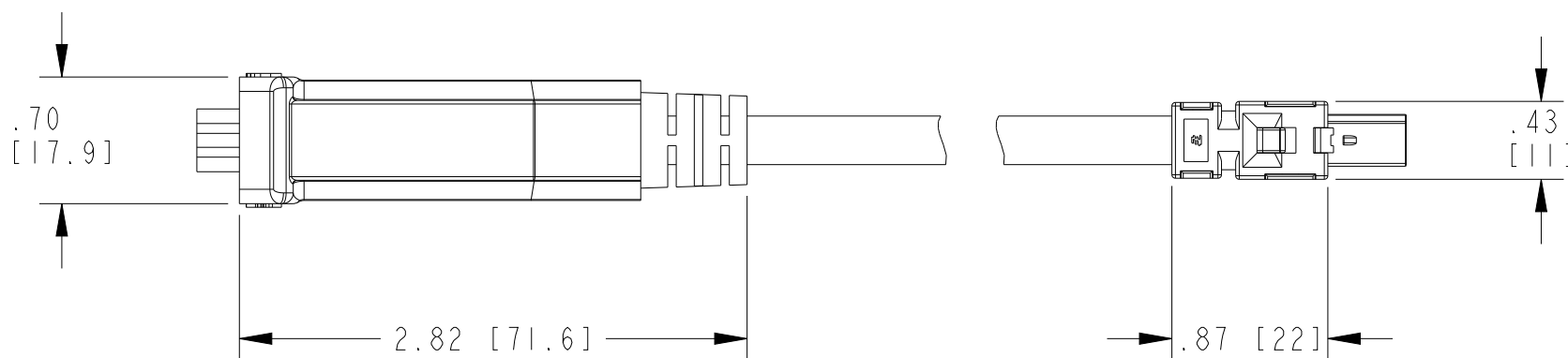
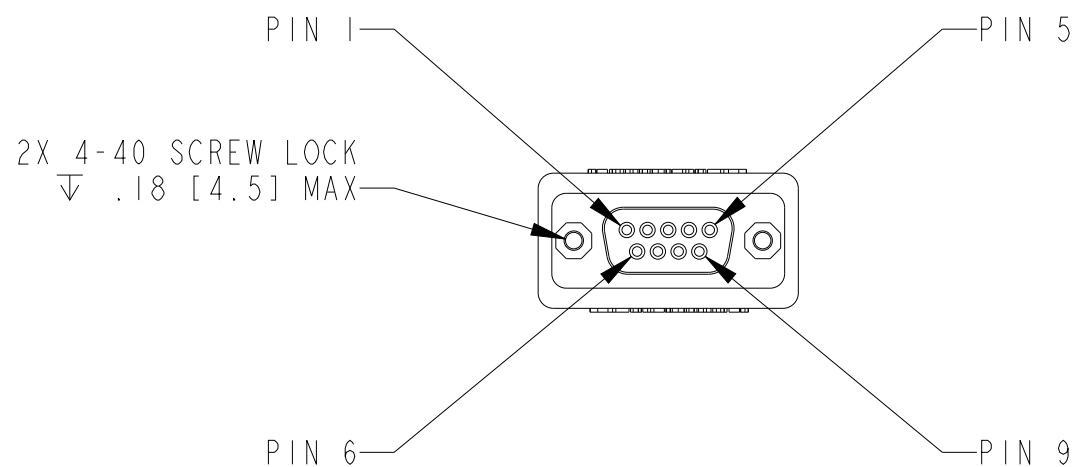
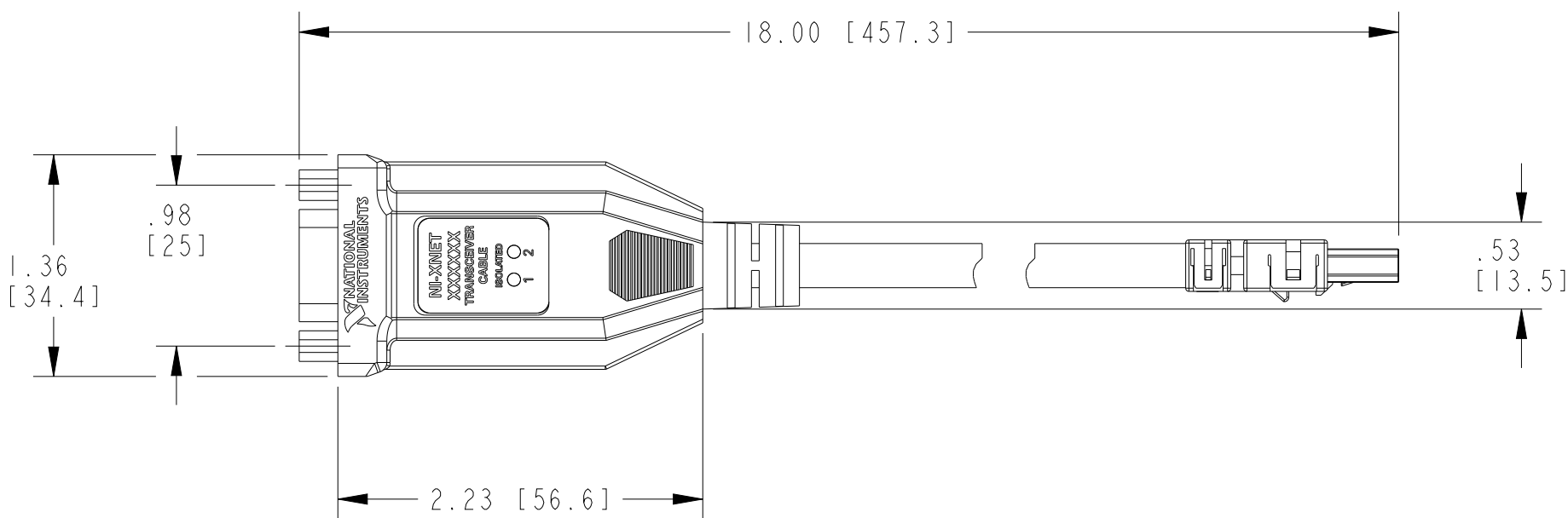



SCALE 1/4



1. REFER TO PRODUCT MANUAL ON NI.COM FOR MORE DETAILS.
 NOTES: UNLESS OTHERWISE SPECIFIED.

CUSTOMER DRAWING

UNLESS OTHERWISE SPECIFIED DIMENSIONS ARE IN INCHES AND [MILLIMETERS].		 AUSTIN, TEXAS	
DO NOT SCALE DRAWING		TITLE	
THIRD ANGLE PROJECTION		CABLE, NI-XNET TRANSCEIVER	
SIZE	CODE	IDENT NO.	MM/DD/YYYY
B	7U296		10/29/2014
SCALE: 1/1			SHEET OF

