

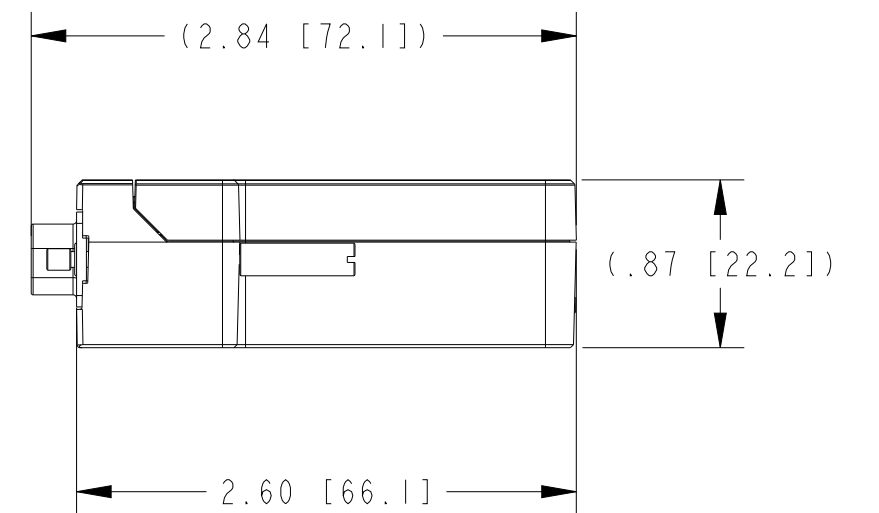
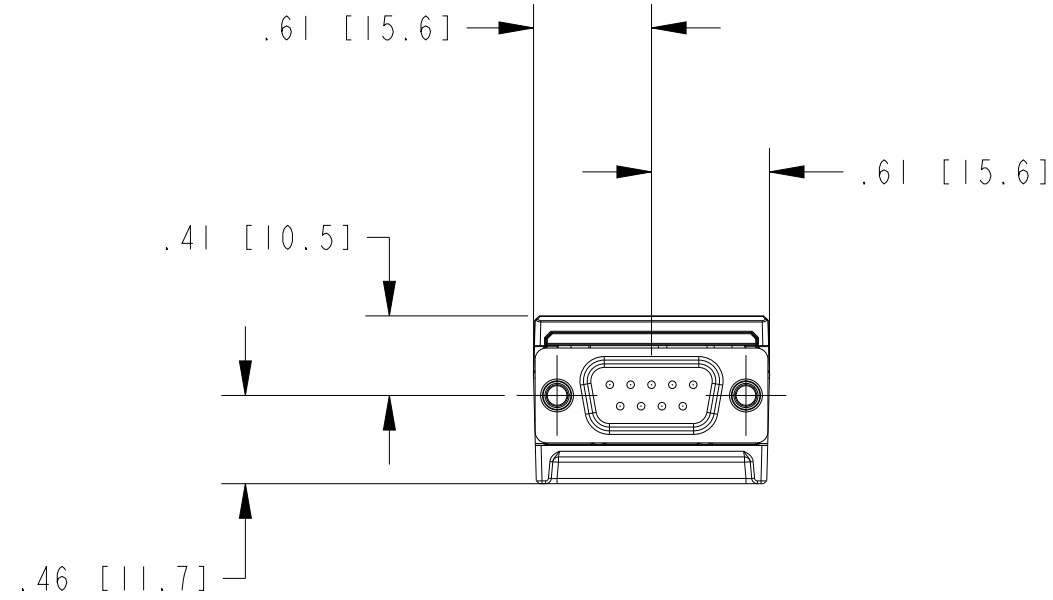
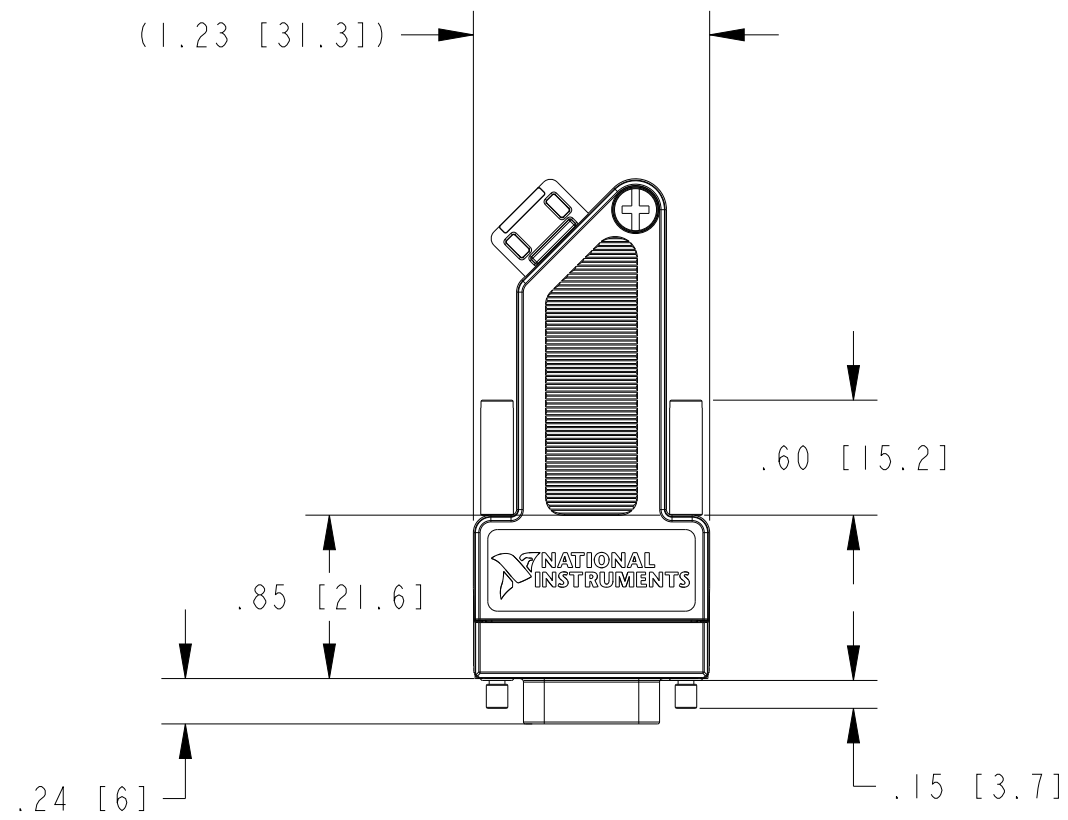
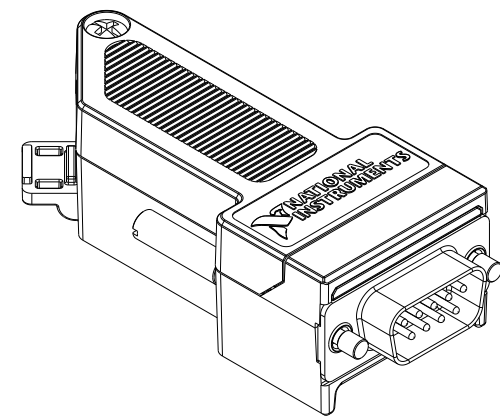
4

3

2

1

COPYRIGHT ©2015 NATIONAL INSTRUMENTS CORPORATION AND ITS LICENSORS. ALL RIGHTS RESERVED.

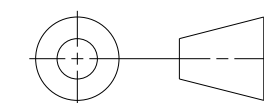


CUSTOMER DRAWING

UNLESS OTHERWISE SPECIFIED DIMENSIONS ARE IN INCHES AND [MILLIMETERS].

DO NOT SCALE DRAWING

THIRD ANGLE PROJECTION



	AUSTIN, TEXAS	
	TITLE	

NI 998X F ADAPTERS

SIZE	CODE	IDENT NO.	MM/DD/YYYY
C	7U	296	11/20/2015

SCALE: 1/1	SHEET 1 OF 1
------------	--------------

CU\_NI-998X\_F\_ADAPTER

2. DIMENSIONS IN ( ) ARE FOR REFERENCE ONLY.  
 1. REFER TO PRODUCT MANUAL ON NI.COM FOR MORE DETAILS  
 NOTES: UNLESS OTHERWISE SPECIFIED.

4

3

2

1