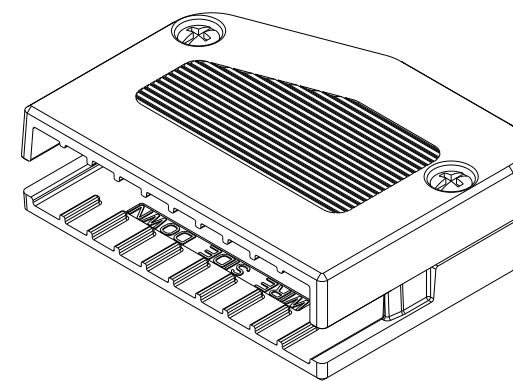
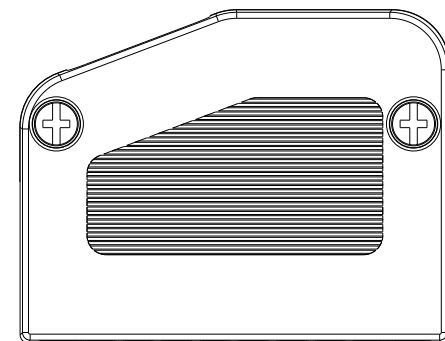
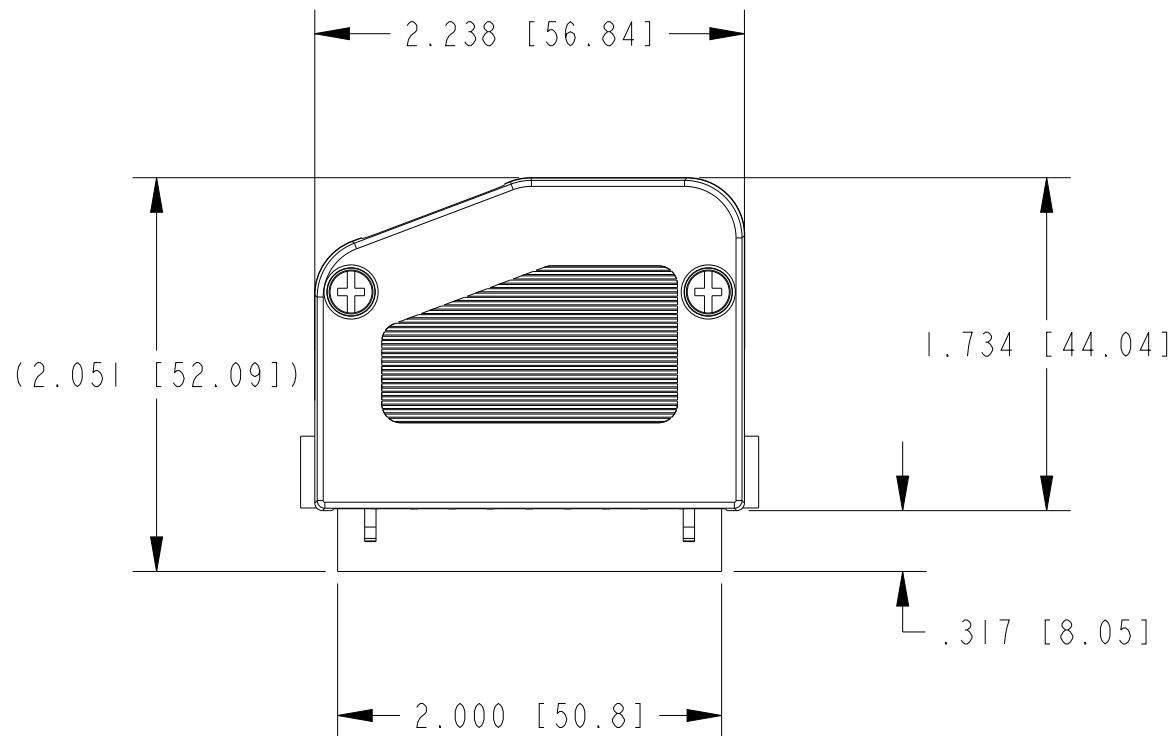
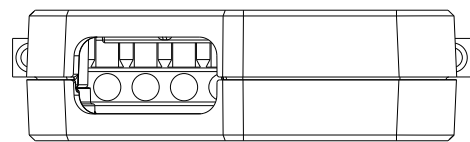
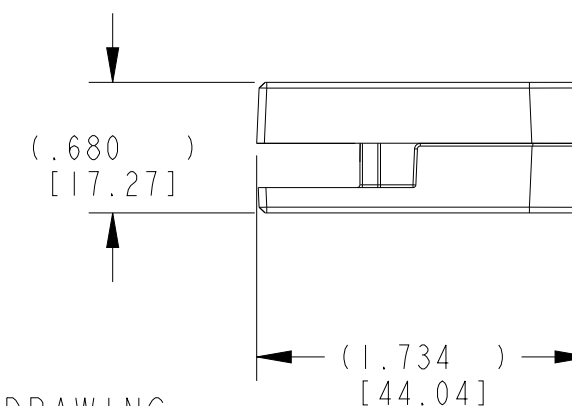
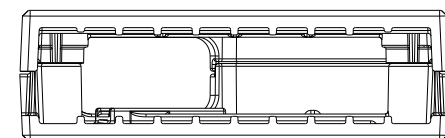
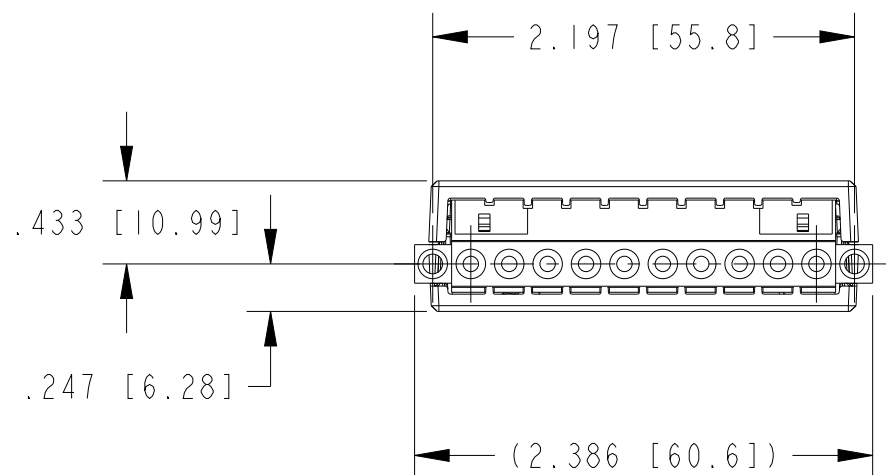


ISOMETRIC VIEW
 WITH 10PIN CONNECTOR



ISOMETRIC VIEW
 BACKSHELL ONLY

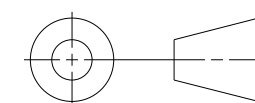


2. DIMENSIONS IN () ARE FOR REFERENCE ONLY.
 1. REFER TO PRODUCT MANUAL ON NI.COM FOR MORE DETAILS.
 NOTES: UNLESS OTHERWISE SPECIFIED.

CUSTOMER DRAWING

UNLESS OTHERWISE SPECIFIED
 DIMENSIONS ARE IN INCHES AND
 [MILLIMETERS].

DO NOT SCALE DRAWING
 THIRD ANGLE PROJECTION



AUSTIN, TEXAS

TITLE
 NI 9927
 FOR 10-POS TERMINAL BLOCKS

SIZE	CODE	IDENT NO.	MM/DD/YYYY
B	7U296		03/11/2016
SCALE: 1/1			SHEET OF