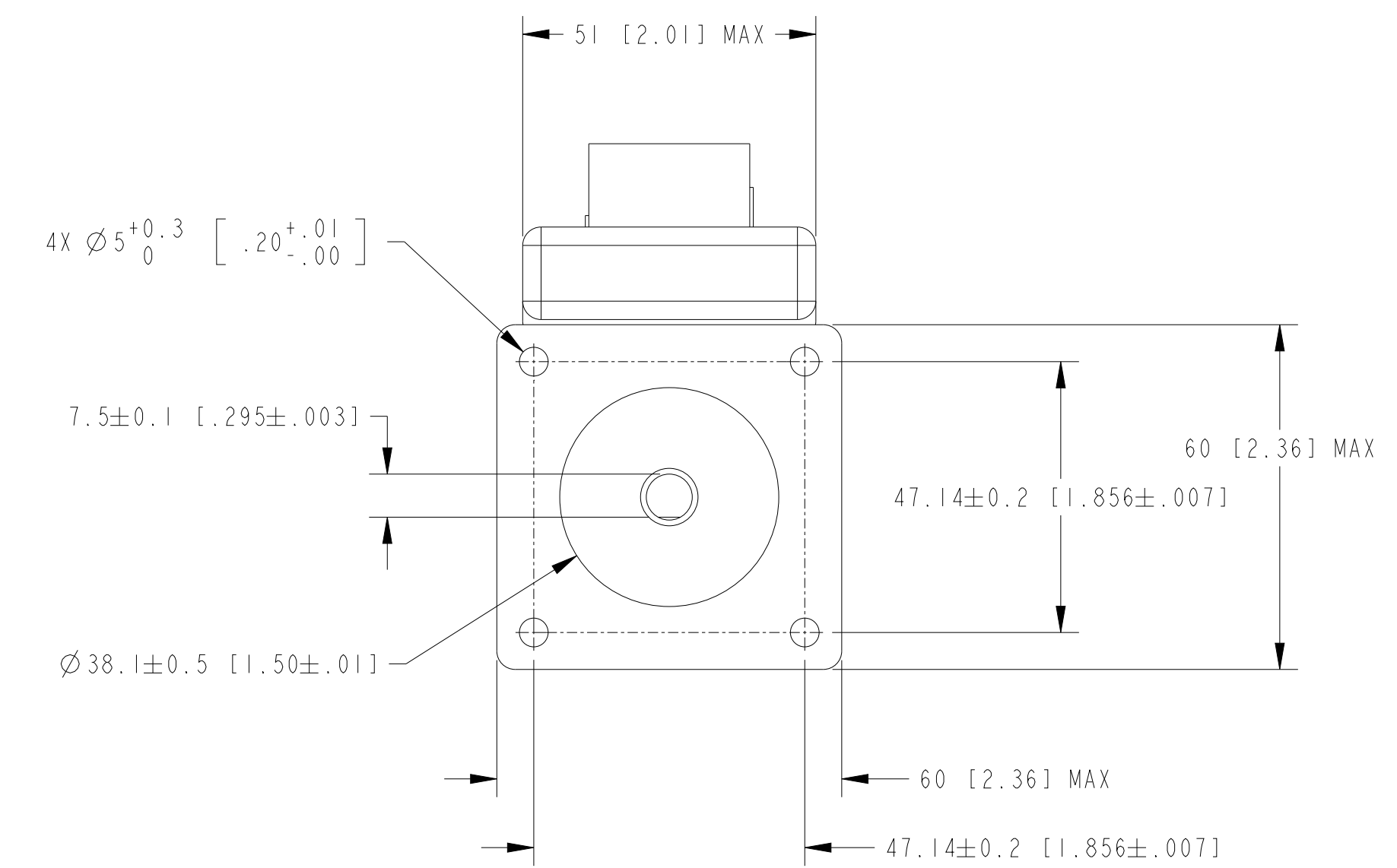
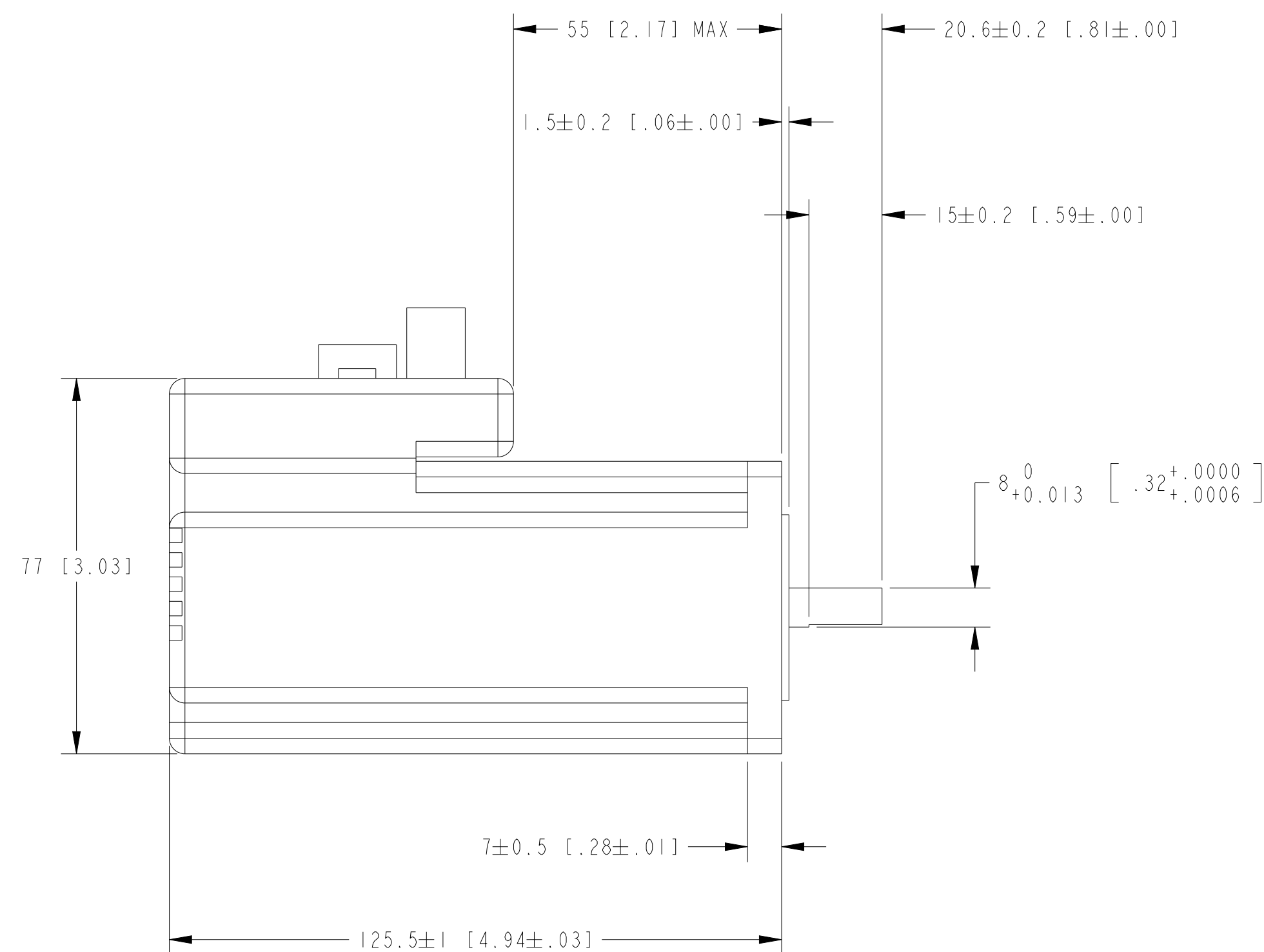
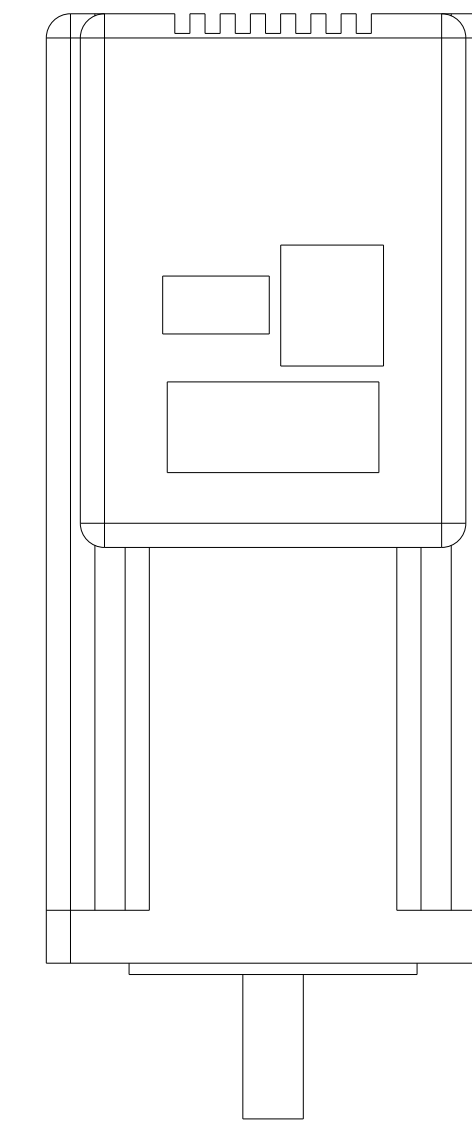


ISOMETRIC VIEW



4. POWER SUPPLY:
 EXTERNAL 12 - 48 VDC POWER SUPPLY REQUIRED
 UNDER-VOLTAGE ALARM: 11 VDC
 OVER-VOLTAGE SHUTDOWN: 52 VDC
 3. MICRO-STEP RESOLUTION:
 DIP-SWITCH SELECTABLE 200, 400, 800, 1000, 1600, 2000,
 3200, 4000, 5000, 6400, 8000, 10000, 12800, 20000, 25000
 OR 25600 STEPS/REV.
 2. OUTPUT TORQUE:
 UP TO 68 OZ-IN WITH SUITABLE POWER SUPPLY
 1. REFER TO PRODUCT MANUAL ON NI.COM FOR MORE DETAILS
- NOTES: UNLESS OTHERWISE SPECIFIED.

METRIC

CUSTOMER DRAWING

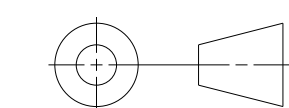
UNLESS OTHERWISE SPECIFIED
 DIMENSIONS ARE IN MILLIMETERS
 AND [INCHES]



NI.COM
 AUSTIN, TEXAS

DO NOT SCALE DRAWING
 THIRD ANGLE PROJECTION

TITLE
 ISM-7413



SIZE CODE IDENT NO. MM/DD/YYYY
 D 7U296 05/18/2023

SCALE: 1/1

SHEET 1 OF 1

CU-ISM-7413