

4

3

2

1

COPYRIGHT ©2014
NATIONAL INSTRUMENTS CORPORATION AND ITS LICENSORS. ALL RIGHTS RESERVED.

D

D

C

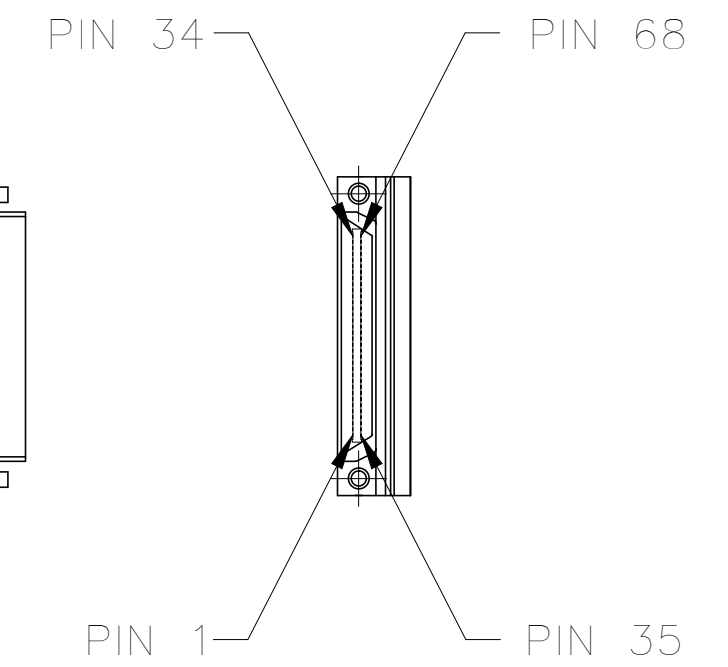
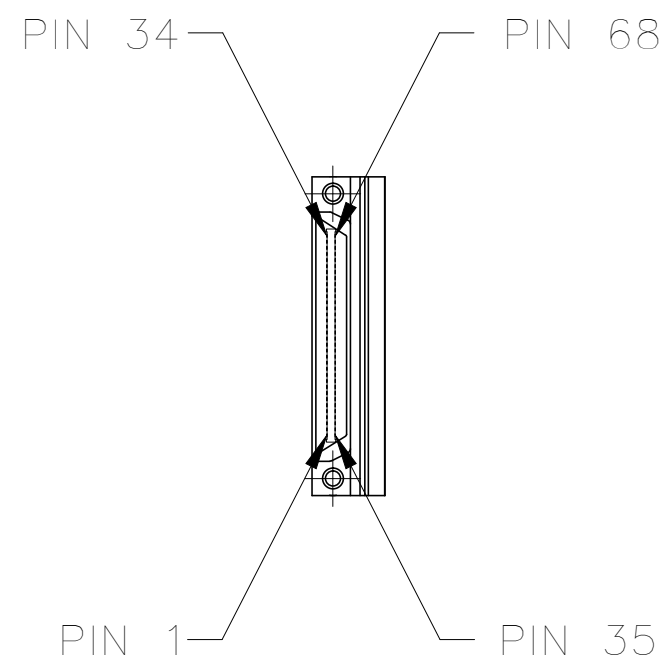
C

B

B

A

A

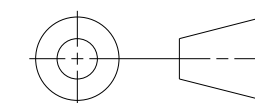


CUSTOMER DRAWING

UNLESS OTHERWISE SPECIFIED
DIMENSIONS ARE IN INCHES AND
(MILLIMETERS).

DO NOT SCALE DRAWING

THIRD ANGLE PROJECTION



AUSTIN, TEXAS

TITLE

NI SHC68-C68-S
2 X 68-POS VHDCI OFFSET

SIZE CODE IDENT NO. MM/DD/YYYY

C 7U296

10/15/14

SCALE: NONE

SHEET 1 OF 1

1. REFER TO PRODUCT MANUAL ON NI.COM FOR MORE DETAILS
NOTES: UNLESS OTHERWISE SPECIFIED.

4

3

2

1