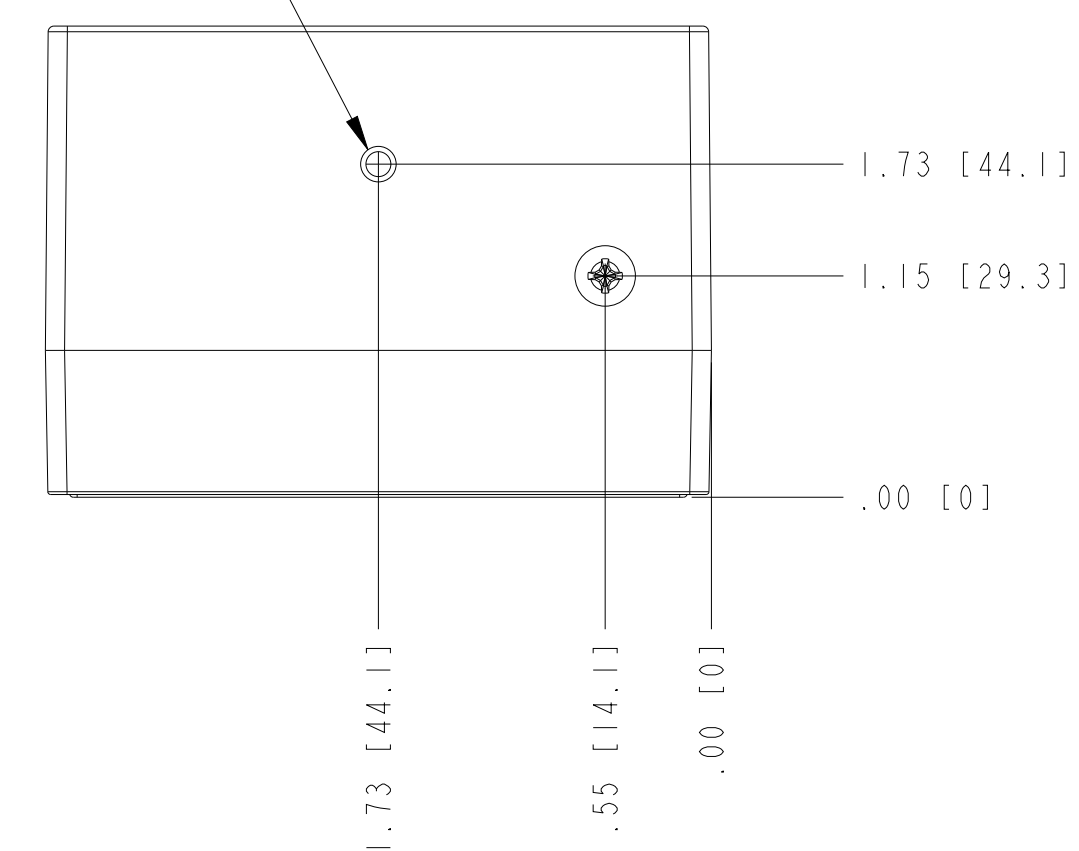


2X M4 X .07, .20 [5] MAX INSERTION DEPTH



1. REFER TO PRODUCT MANUAL ON NI.COM FOR MORE DETAILS.
 NOTES: UNLESS OTHERWISE SPECIFIED.

UNLESS OTHERWISE SPECIFIED DIMENSIONS ARE IN INCHES AND [MILLIMETERS]. DO NOT SCALE DRAWING THIRD ANGLE PROJECTION 	NATIONAL INSTRUMENTS® AUSTIN, TEXAS
	TITLE
	NI 9149
SCALE: 1/1 SHEET 1 OF 1 CU.NI-9149	SIZE CODE IDENT NO. MM/DD/YYYY D 7U296 04/25/2014