

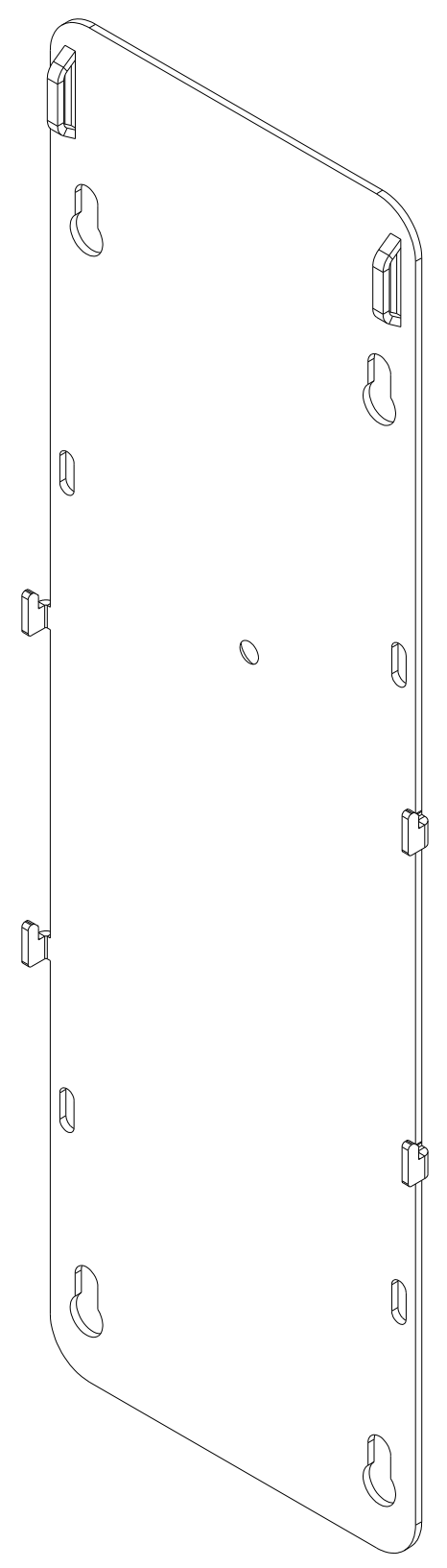
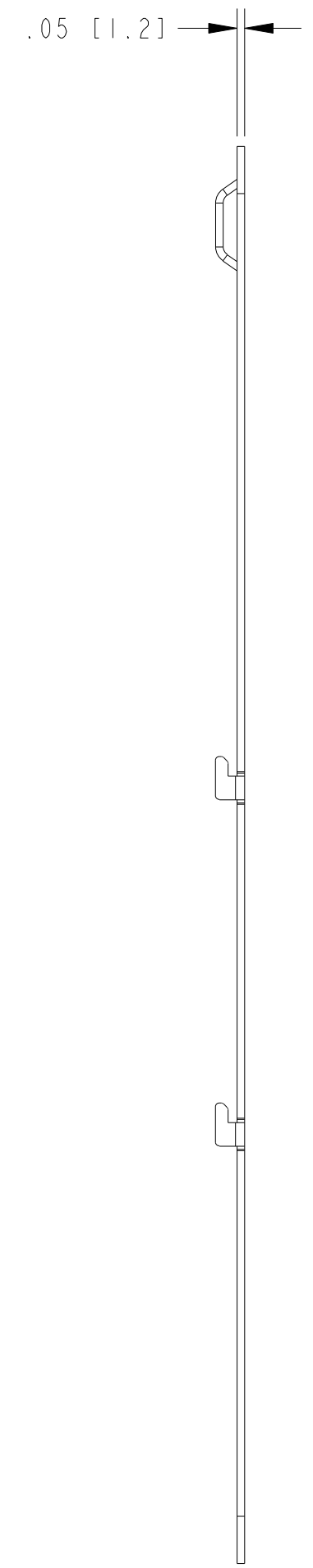
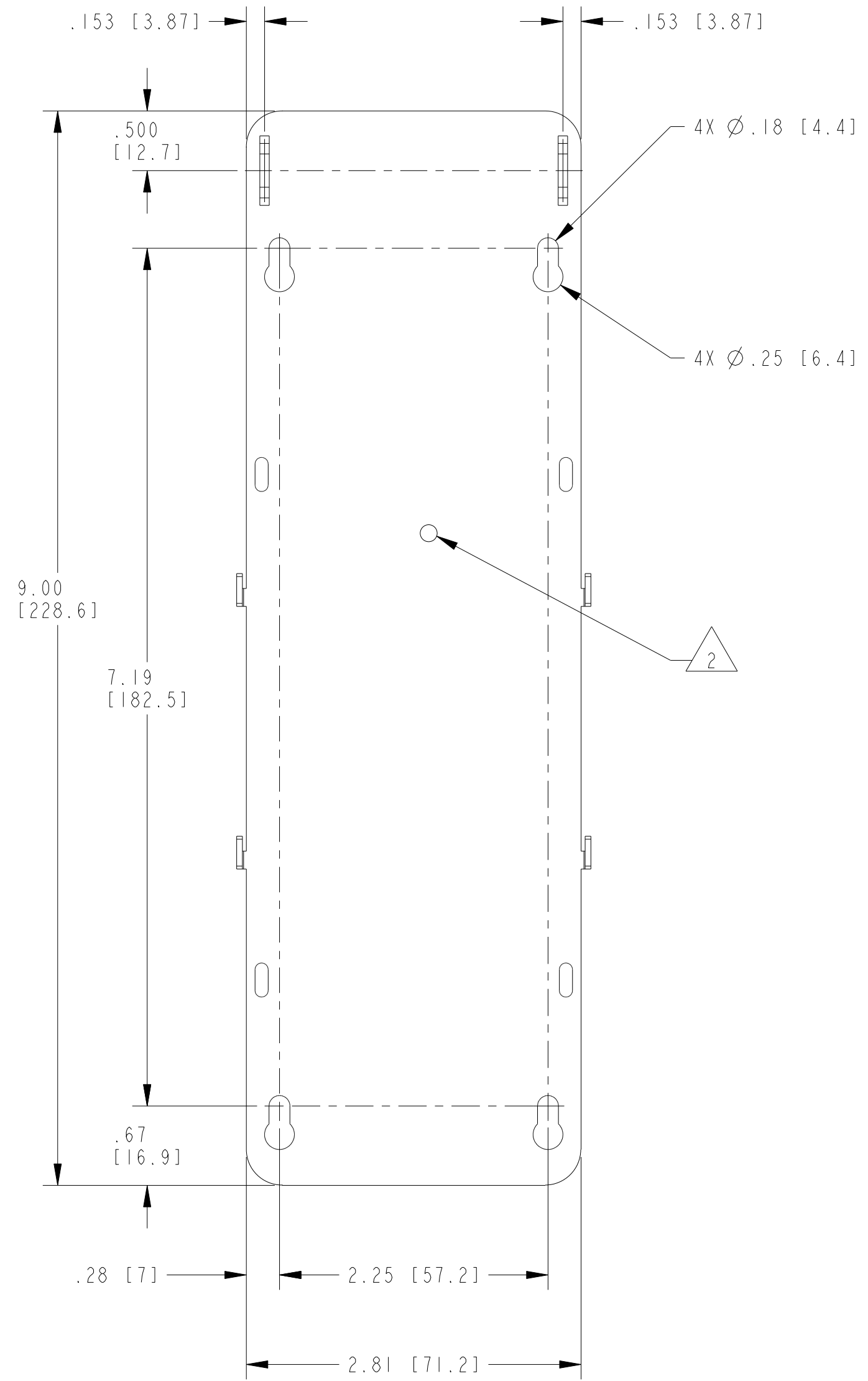
4

3

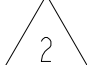
2

1

COPYRIGHT ©2013 NATIONAL INSTRUMENTS CORPORATION AND ITS LICENSORS. ALL RIGHTS RESERVED.



ISOMETRIC VIEW

 YOU MUST USE THE INCLUDED 4-40 X 1/4" SCREW TO ATTACH THE PANEL MOUNTING KIT TO THE NI myRIO-1900.

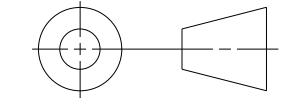
1. REFER TO PRODUCT MANUAL ON NI.COM FOR MORE DETAILS.
 NOTES: UNLESS OTHERWISE SPECIFIED.

CUSTOMER DRAWING

UNLESS OTHERWISE SPECIFIED DIMENSIONS ARE IN INCHES AND [MILLIMETERS].

DO NOT SCALE DRAWING

THIRD ANGLE PROJECTION



NATIONAL INSTRUMENTS® AUSTIN, TEXAS

TITLE

NI myRIO PANEL MOUNT KIT

SIZE	CODE	IDENT NO.	MM/DD/YYYY
C	7U296		08/22/2013
SCALE: 1/1			SHEET 1 OF 1

4

3

2

1