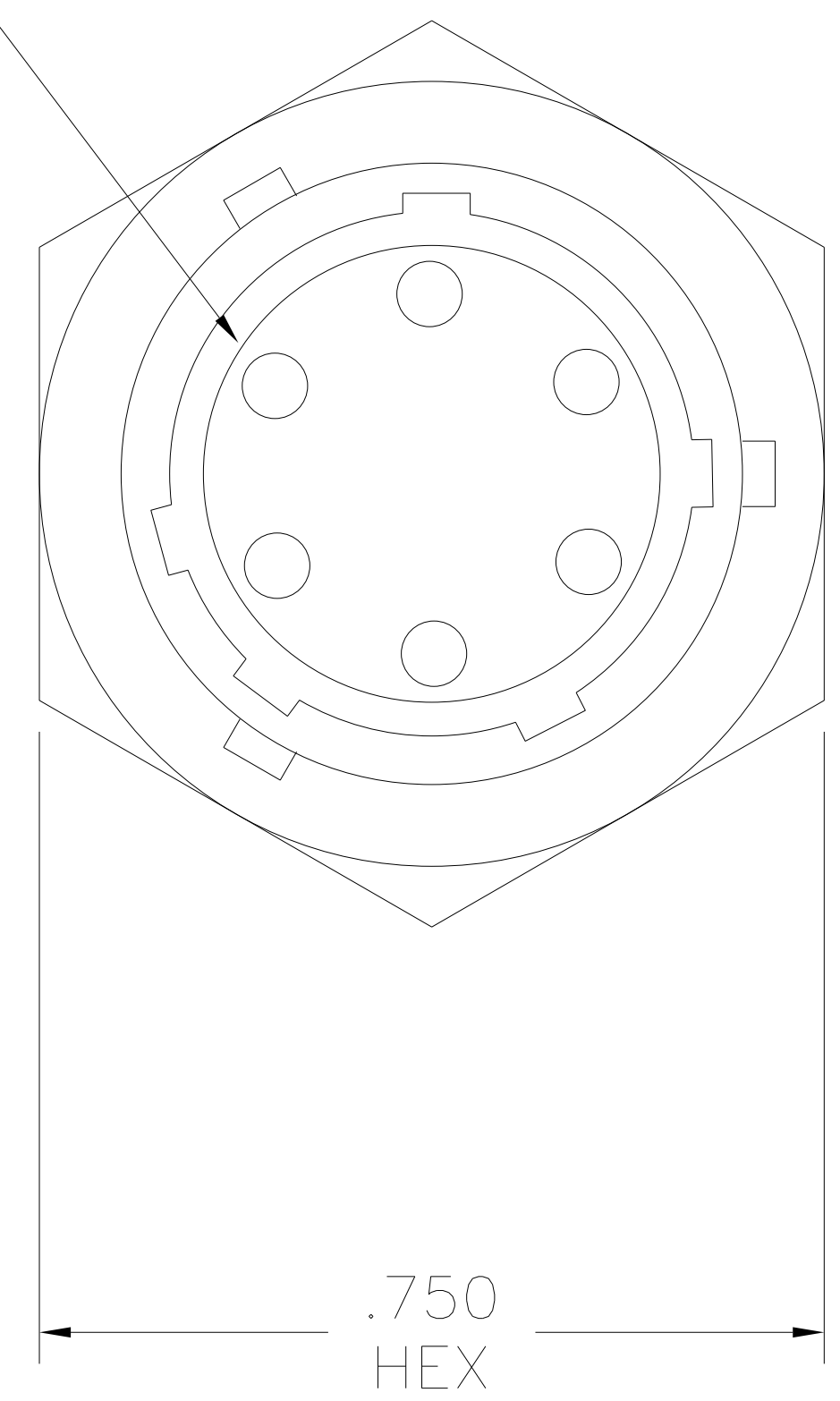


ELECTRICAL CONNECTOR  
BENDIX PTIH-10-6P  
OR EQUIVALENT  
MATING CONNECTOR  
BENDIX PT06A-10-6S



UNAMPLIFIED

PIN	DESIGNATION
A	(+)EXCITATION
B	(+)EXCITATION
C	(-)EXCITATION
D	(-)EXCITATION
E	(-)OUTPUT
F	(+)OUTPUT

SPECIFICATIONS

AVAILABLE RANGE: 0 to 15 to 0 to 15,000 PSI  
 OUTPUT: 100 PSI AND LOWER: 0.1 mv/PSI  
 GREATER THAN 100 PSI: 2 mv/v NOM  
 EXCITATION: 5 VDC  
 ACCURACY: 100 PSI AND LOWER: +/- 1% F.S.  
 GREATER THAN 100 PSI: +/- 0.5% F.S.  
 TEMPERATURE COMPENSATED: 60 to 160°F  
 OPERATING TEMPERATURE: -65 to 300°F  
 WETTED MATERIAL: 17-4 PH S.S.

IF THIS IS A PAPER COPY IT IS UNCONTROLLED. VERIFY REVISION BEFORE USE.

PROPRIETARY RIGHTS NOTICE: THIS DRAWING COVERS A PROPRIETARY ITEM AND IS THE PROPERTY OF HONEYWELL. THIS DRAWING IS NOT TO BE COPIED OR USED WITHOUT THE PERMISSION OF HONEYWELL.

UNLESS OTHERWISE SPECIFIED: ALL DIMENSIONS IN INCHES. INTERPRET PER ASME Y14.100-2000 OTHER HONEYWELL STDS MAY APPLY. ALL FILLETS & CORNERS .005R MAX DEBURR & BREAK SHARP CORNERS		D	REV PER ECN 00014	T.Y.	-	-
		11/18/1998				
REV	DESCRIPTION		REV BY	CHK BY	APV BY	
DRW: RUSSELL	CHK: FRESCO	MFG: -	ENG: FRESCO			
AUTOCAD		12/20/1977	11/18/1998	xx/xx/xx	11/18/1998	
REV HIST	DO NOT SCALE	<p>HONEYWELL SENSOTEC 2080 ARLINGATE LANE COLUMBUS, OHIO 43228 www.honeywell.com/sensing</p>				
	.X					
	.XX					
	.XXX					
	±.2	MINIATURE PRESSURE TRANSDUCER		MODEL A-105		
	±.02	CODE IDENT NO.		DOCUMENT NUMBER		
	±.010	51518		000-0265-00		
		SHEET	SIZE			
		1 OF 1	A			