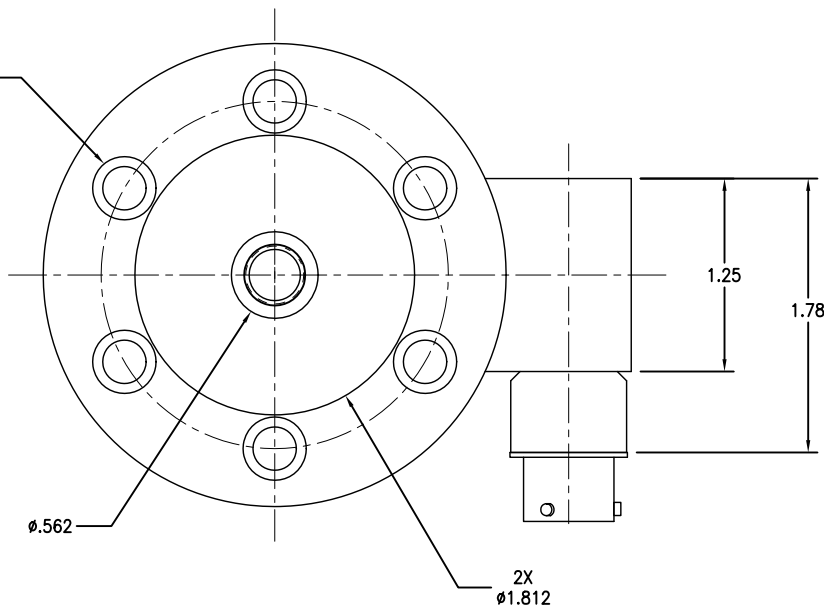


HONEYWELL
PART NUMBER

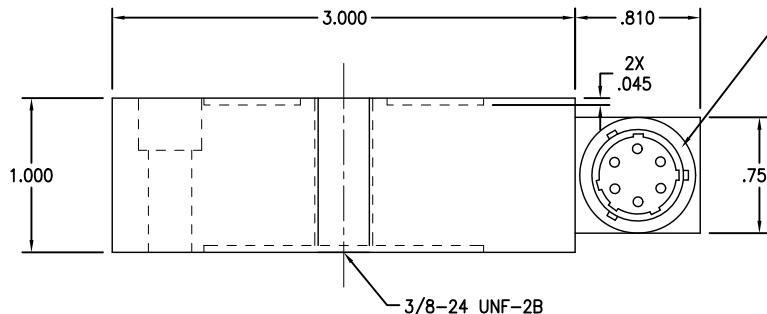
-

REV	DOCUMENT	CHANGED BY	CHECK
D	0042004	JDS 09/21/2009	SDG

6X
MOUNTING HOLES
EQUALLY SPACED ON
Ø2.250 B.C.
CLEARANCE FOR Ø.25
SOCKET HEAD SCREW



BENDIX CONNECTOR
PT1H-10-6P OR EQUIVILANT
MATING CONNECTOR
BENDIX PT06A-10-6S



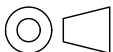
UNAMPLIFIED

PIN	DESIGNATION
A	(+)EXCITATION
B	(+)EXCITATION
C	(-)EXCITATION
D	(-)EXCITATION
E	(-)OUTPUT
F	(+)OUTPUT

DESIGN UNITS: INCH
TOLERANCES UNLESS NOTED:

NO PLACES	X	±	-
ONE PLACE	.X	±	.1
TWO PLACE	.XX	±	.01
THREE PLACE	.XXX	±	.005
ANGLES	X	±	.5°

THIRD ANGLE PROJECTION



DRAWN J SAUBER 09/21/2009

CHECK S. GREGORY 09/21/2009

THIS DRAWING COVERS A PROPRIETARY ITEM
AND IS THE PROPERTY OF HONEYWELL.
THIS DRAWING IS NOT TO BE COPIED OR USED
WITHOUT THE PERMISSION OF HONEYWELL.

INTERPRET PER ASME Y14.5M-1994
OTHER HONEYWELL ENGINEERING
STANDARDS MAY APPLY

AUTOCAD

Honeywell

TITLE ODD, MODEL 41 LOAD CELL
50 LB THRU 1250 LB, STD. PROD.

SIZE	TYPE	CAGE CODE	DRAWING NAME	REV
A	E	51518	000-0181-00	D

SCALE - SHEET 1 OF 1