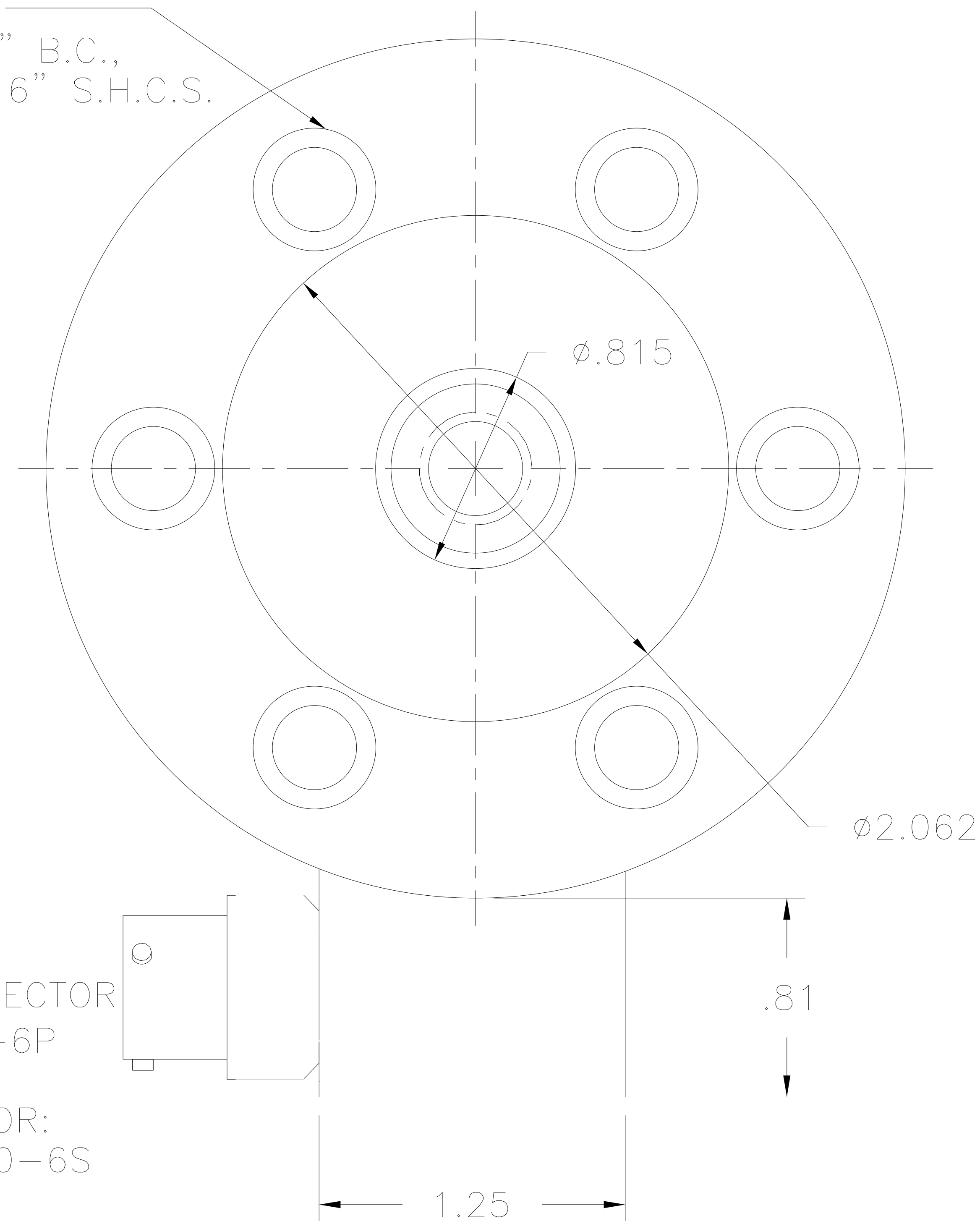
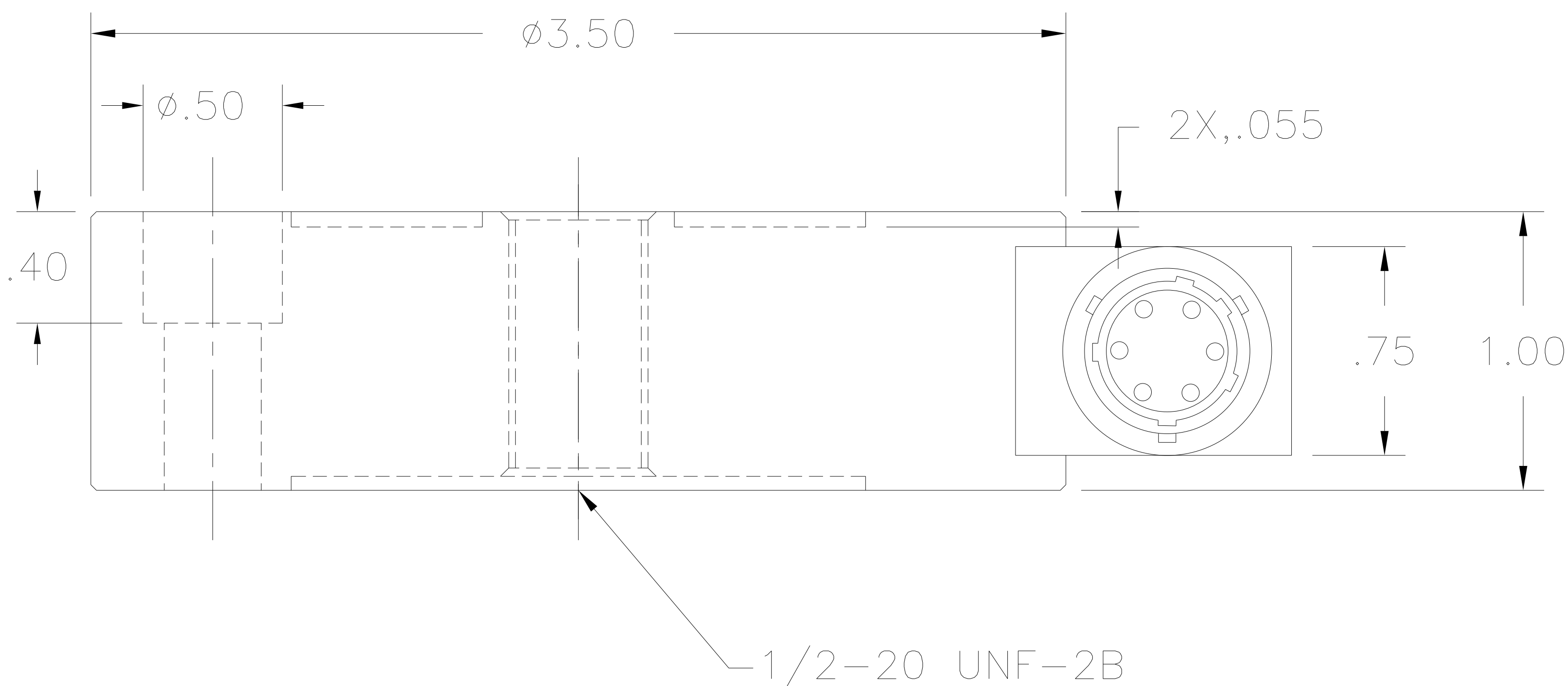


6 HOLES, EQUALLY SPACED ON $\phi 2.625$ " B.C., CLEARANCE for 5/16" S.H.C.S.



ELECTRICAL CONNECTOR
BENDIX PTIH-10-6P
OR EQUIVALENT
MATING CONNECTOR:
BENDIX PTO6A-10-6S
(NOT INCLUDED)

AVAILABLE CAPACITY: 2,000 THRU 5,000 LBS.
OUTPUT: 3 mv/v NOMINAL

POSITIVE IN TENSION

ZERO BAL: $\pm 1\%$ F.S.

LINEARITY: 0.1% F.S.

HYSTERESIS: 0.08% F.S.

SPAN T.C.: .002% Rdg./ $^{\circ}$ F

ZERO T.C.: .002% F.S./ $^{\circ}$ F

BRIDGE RESISTANCE: 350 Ω

EXCITATION: 10 VDC

MATERIAL: 17-4 P.H.

STAINLESS STEEL

UNAMPLIFIED

| PIN | DESIGNATION |
|-----|---------------|
| A | (+)EXCITATION |
| B | (+)EXCITATION |
| C | (-)EXCITATION |
| D | (-)EXCITATION |
| E | (-)OUTPUT |
| F | (+)OUTPUT |

UNLESS OTHERWISE SPECIFIED:
ALL FILLETS & CORNERS .005 R MAX
ALL DIMENSIONS IN INCHES
INTERPRET PER ANSI Y14.5M-1982 &
SENSOTEC STD 080-0073-00
DEBURR & BREAK SHARP CORNERS

| | |
|---|--|
| REV ECN | SCALE: NONE |
| USED ON | .X ± 1 |
| MATERIAL SPECIFICATION ϕ XXXX 17-4 PH SS CONDITION A HEAT TREAT H-900 | .XX $\pm .01$.XXX $\pm .005$ \angle $\pm 1/2'$ |
| 045-XXXX-XX | |

| | | | |
|---|------------------|-----------------|----------------------|
| A | REV. PER ECN | JPF 11-02-98 | - |
| REV | DESCRIPTION | REVISED BY | APPROVED BY |
| DRW: 20MAR78 | CHK: 12/27/94 | JP MFG: | ENG: RJG 12/27/94 |
| SENSOTEC INC. 2080 ARLINGATE LANE, COLUMBUS, OHIO 43228 © SENSOTEC, INC. ALL RIGHTS RESERVED | | | |
| OUTLINE DRAWING for P/N 060-0572-XX MODEL 41 LOAD CELL | | | |
| 63 | | DOCUMENT NUMBER | |
| SHEET 1 OF 1 | | 000-0472-00 | |