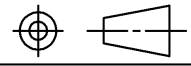
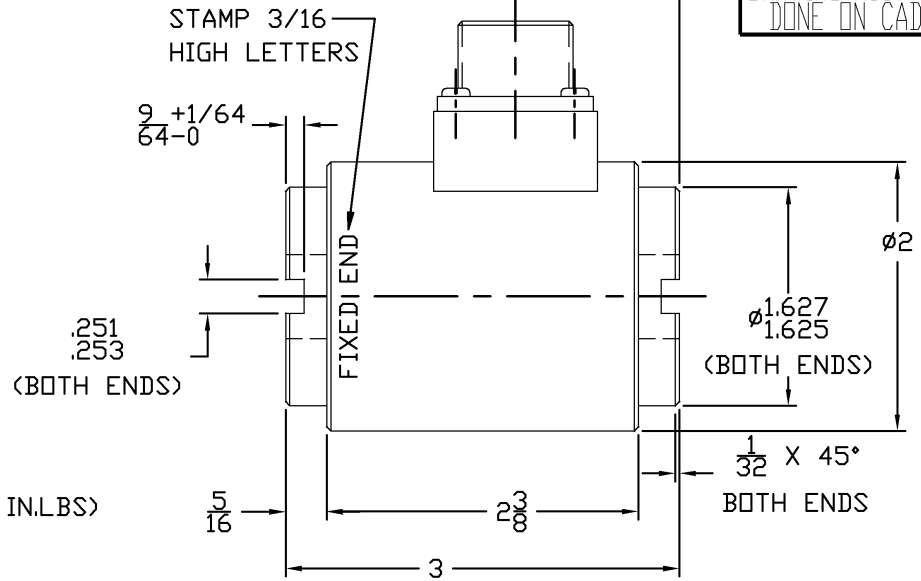
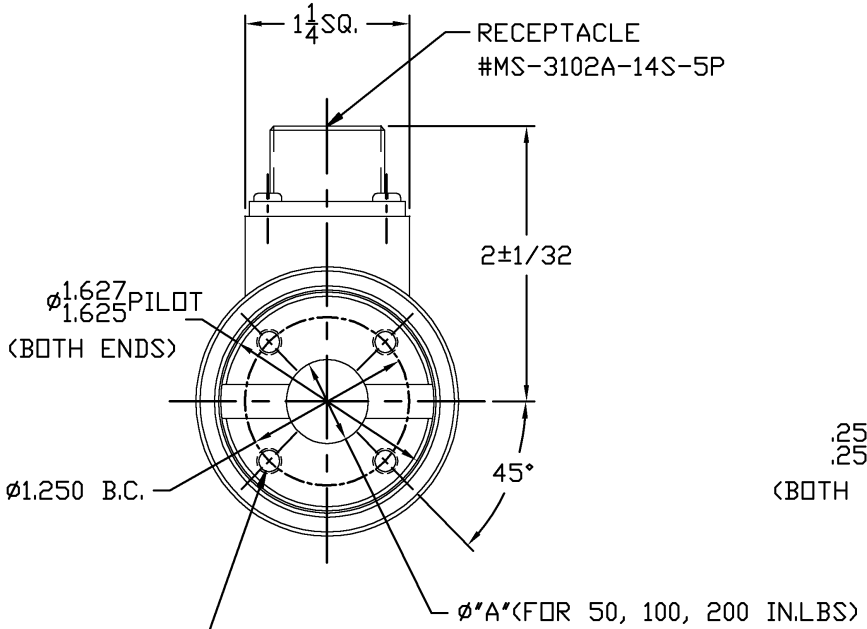


DO NOT SCALE DRAWING	B-2102-D	REV.
	 THIRD ANGLE PROJECTION	



#10-24-3B UNC - TAP 3/8 DEEP
 (4) HOLES EQUALLY SPACED
 AS SHOWN - BOTH ENDS

Ⓝ PERFORMANCE SPEC. S-2102

2102-1000	1000	
2102-500	500	
2102-200	200	5/8 THRU
2102-100	100	5/8 THRU
2102-50	50	5/8 THRU
MODEL NO.	CAP. (IN LBS)	φ*A"

*NOTICE TO PERSONS RECEIVING THIS
 DRAWING AND/OR TECHNICAL INFORMATION*
 Lebow Products claims proprietary rights to the material disclosed
 hereon. This drawing and/or technical information is issued in
 confidence for engineering information only and may not be repro-
 duced or used to manufacture anything shown or referred to hereon
 without direct written permission from Lebow Products to the
 user. This drawing and/or technical information is the property of
 Lebow Products and is loaned for mutual assistance, to be returned
 when its purpose has been served.

DET. NO.	PART NO.	DESCRIPTION	REQ'D.
		Lebow Products Lebow Products Troy, Michigan	
UNLESS OTHERWISE SPECIFIED LINEAR DIMENSIONS ARE IN INCHES REMOVE ALL BURRS & ANGULAR DIMENSIONS ARE IN DEGREES SHARP EDGES DIMENSION LIMITS HELD AFTER PLATING SURFACE FINISH 125 ✓			
TOLERANCES		DR. BY:	CHK'D. BY:
DRILLED HOLES -000 +007	TWO PLACE DECIMALS ± .00	DATE:	ENGR.
THREE PLACE DECIMALS ± .005	ANGLES ± 0 '30'	9/1/61	
SCALE: NONE	REF. DWG. B-10987	FRACTIONAL DIMENSIONS ± 1/64	MAT'L. -
TITLE: O.D. REACTION TORQUE SENSOR		MODEL: 2102	REV.
		DRAWING NO. B-2102-D	

REVISIONS	DESCRIPTION	DATE
ADD. PERFORM. SPEC.		
REDRAWN ON CAD		
	APPV'D.	
	CHG'D.	
	ECN NO.	
	SYM.	