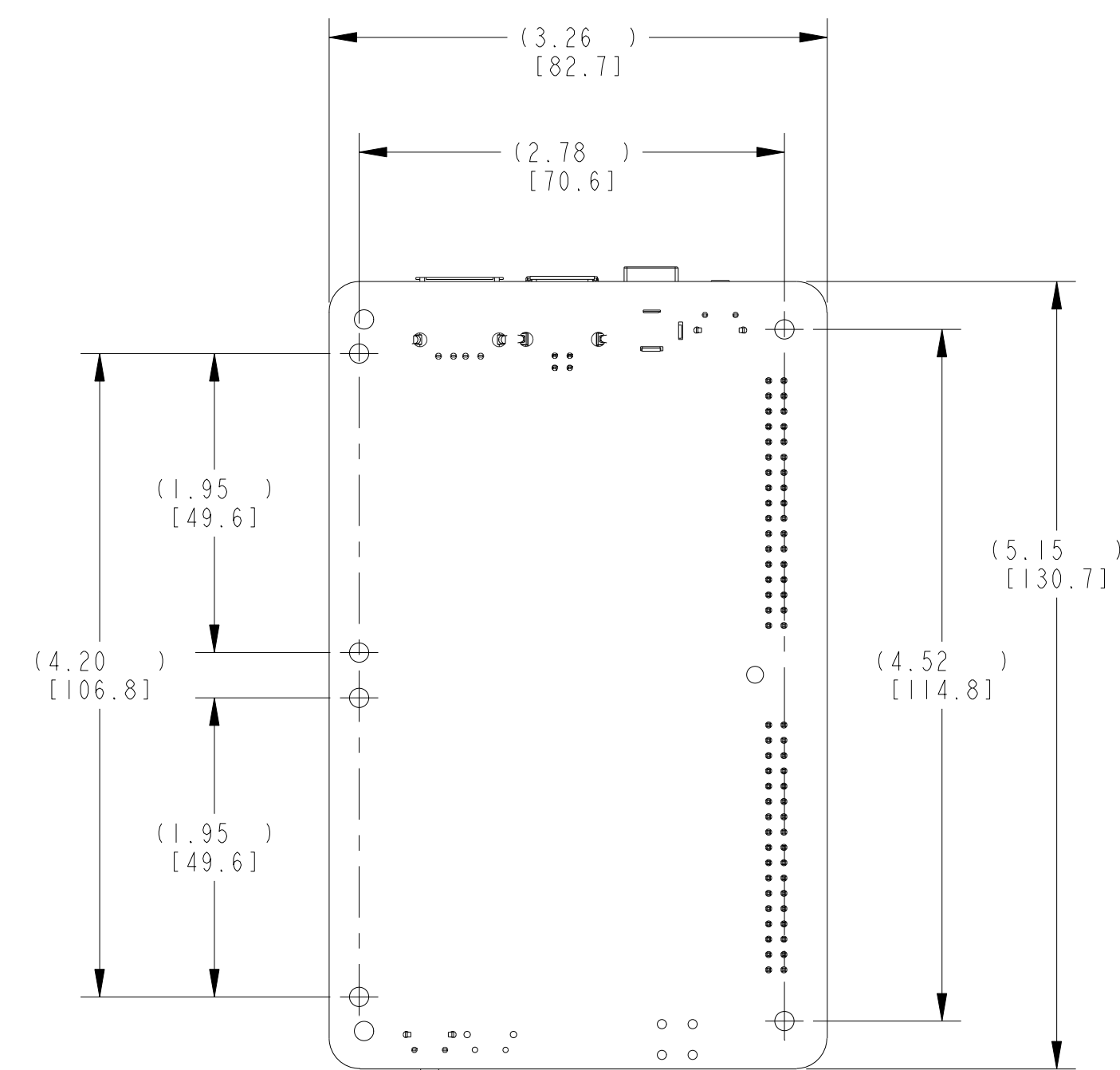
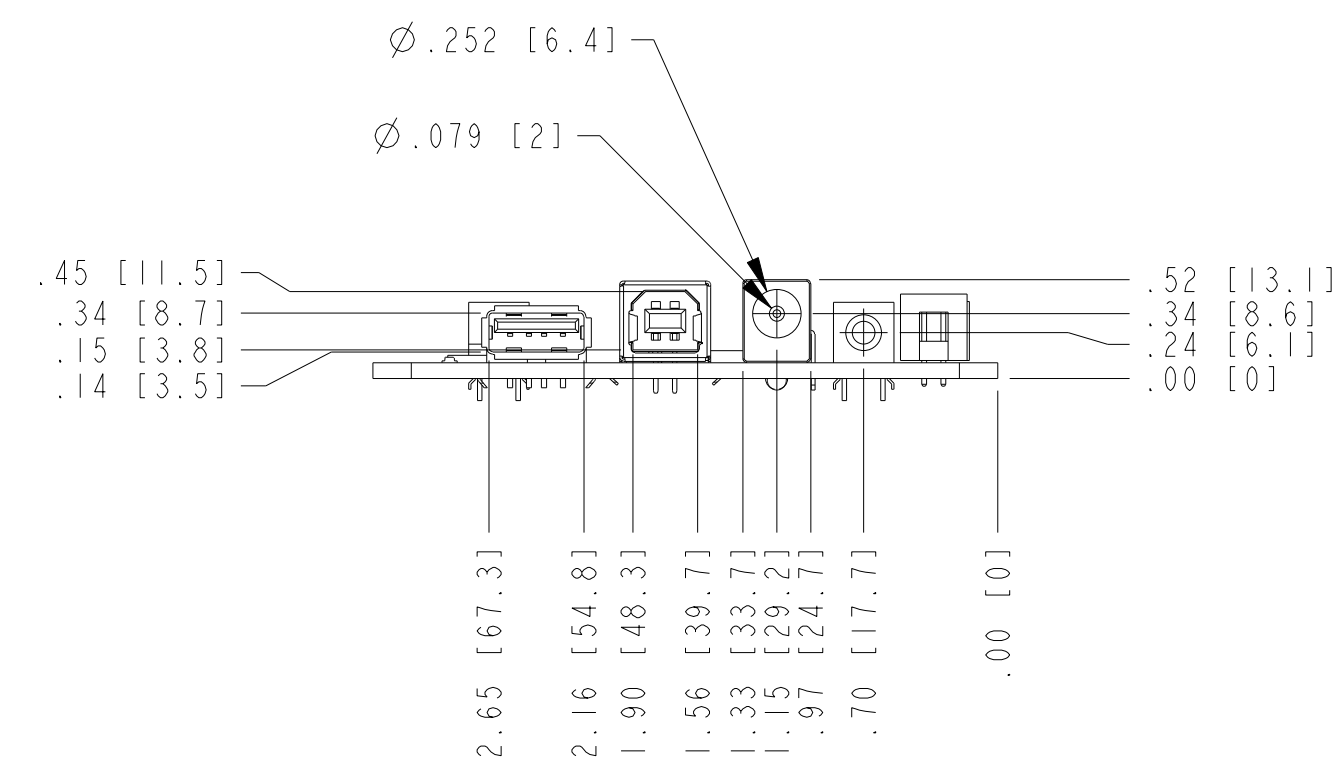
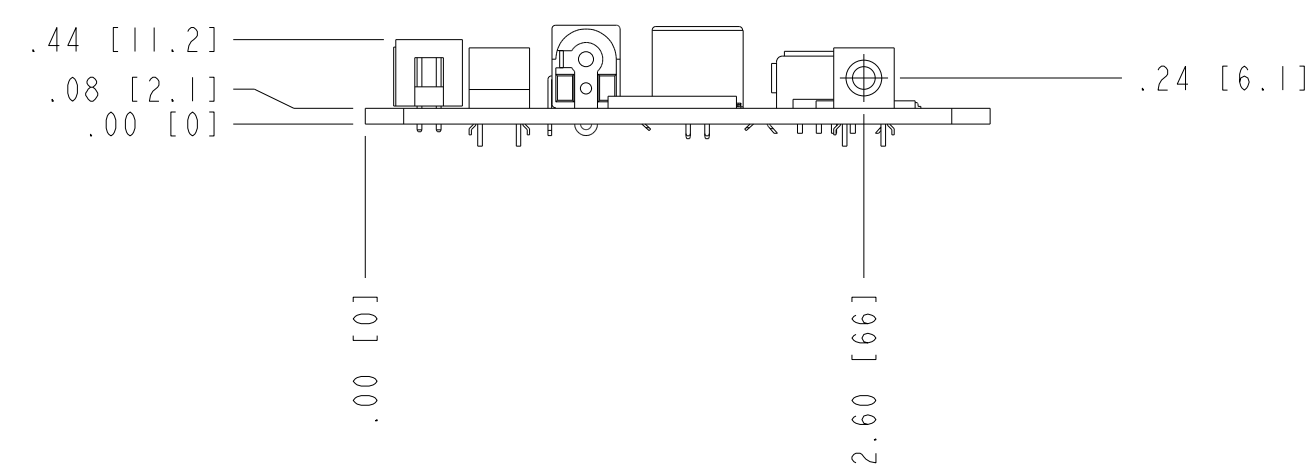
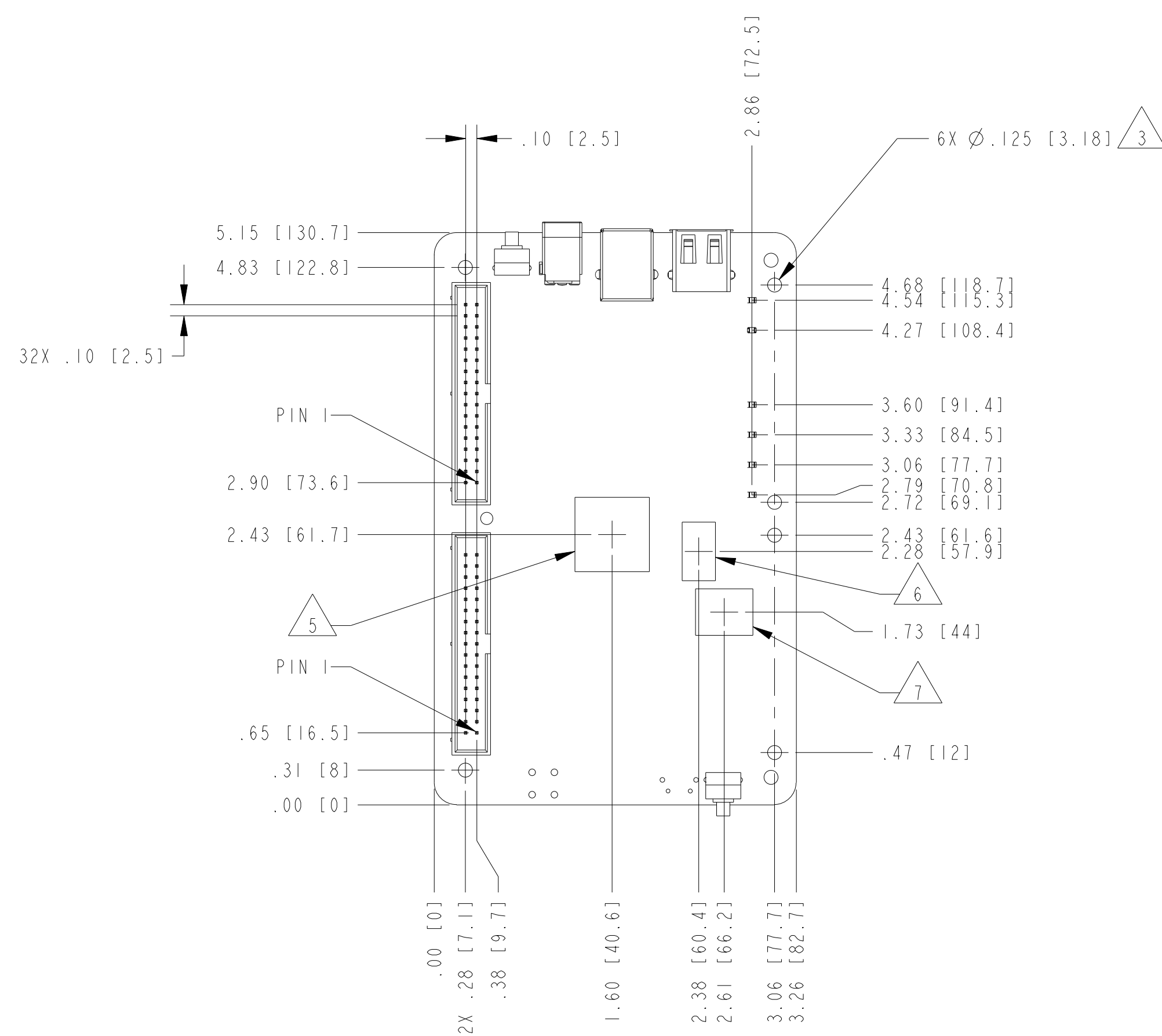


ISOMETRIC VIEW



BACK VIEW

- 7 NAND FLASH HEIGHT .04 [1]
 - 6 DDR3 HEIGHT .05 [1.1]
 - 5 PROCESSOR/FPGA HEIGHT .06 [1.6]
 - 4. REFER TO MYRIO DAUGHTERBOARD TEMPLATE FOR DAUGHTERBOARD DESIGN.
 - 3. MAX FASTENER HEAD OR STANDOFF DIAMETER IS .27 [6.86].
 - 2. DIMENSIONS IN () ARE FOR REFERENCE ONLY.
 - 1. REFER TO PRODUCT MANUAL ON NI.COM FOR MORE DETAILS.
- NOTES: UNLESS OTHERWISE SPECIFIED.

UNLESS OTHERWISE SPECIFIED DIMENSIONS ARE IN INCHES AND [MILLIMETERS].	NATIONAL INSTRUMENTS® AUSTIN, TEXAS	
	TITLE NI myRIO-1950	
DO NOT SCALE DRAWING THIRD ANGLE PROJECTION	SIZE CODE IDENT NO. MM/DD/YYYY D 7U296 03/27/14	
	SCALE: 1/1	SHEET 1 OF 1