

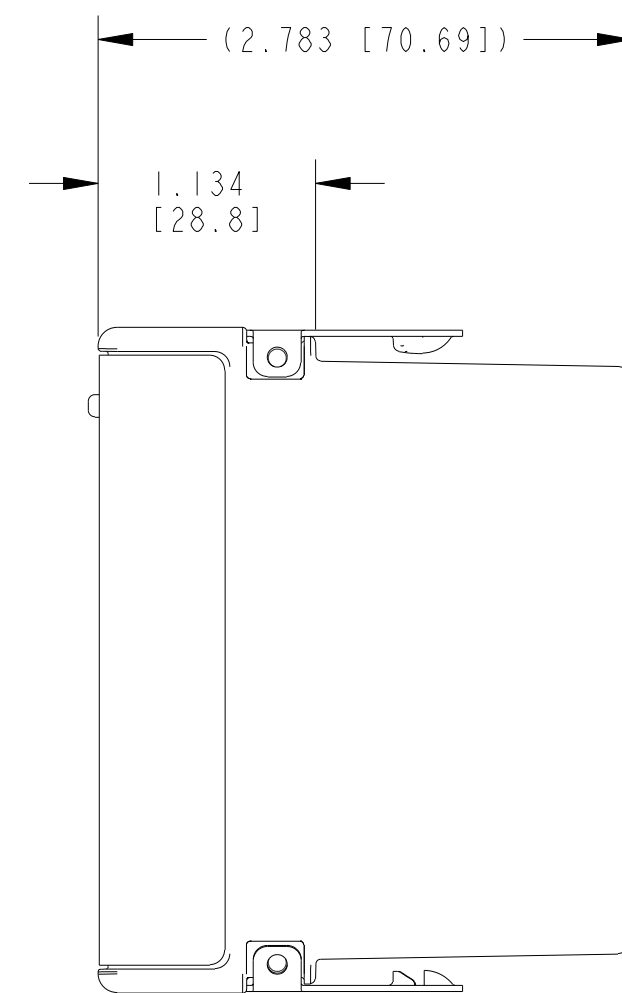
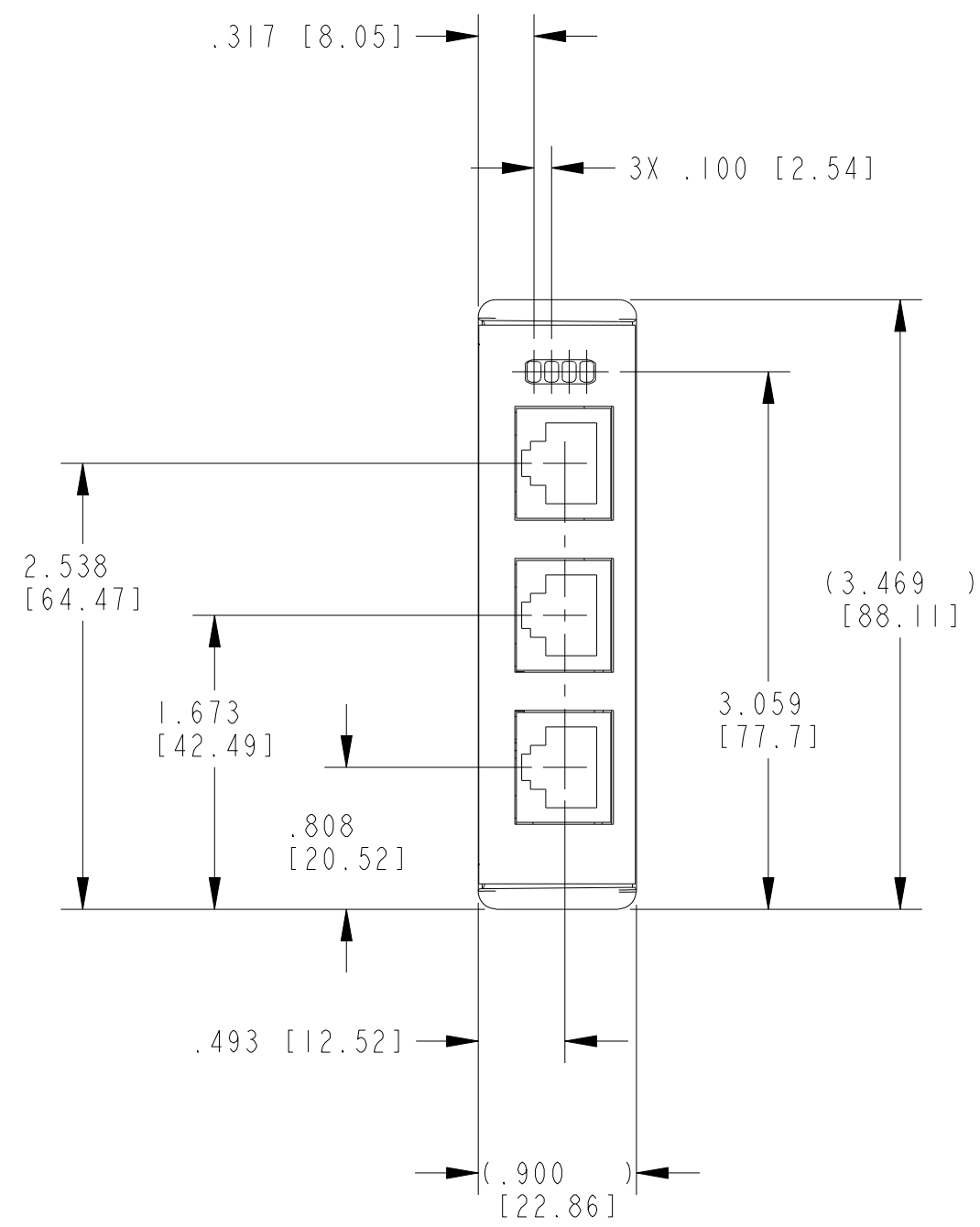
4

3

2

1

COPYRIGHT ©2013 NATIONAL INSTRUMENTS CORPORATION AND ITS LICENSORS. ALL RIGHTS RESERVED.

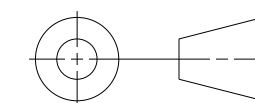


CUSTOMER DRAWING

UNLESS OTHERWISE SPECIFIED DIMENSIONS ARE IN INCHES AND [MILLIMETERS].

DO NOT SCALE DRAWING

THIRD ANGLE PROJECTION



AUSTIN, TEXAS

TITLE

CUSTOMER DRAWING, MODULE ASSEMBLY, cRIO-9469

SIZE CODE IDENT NO. MM/DD/YYYY

C 7U296

CUSTOMER DRAWING,

SCALE: 1/1

SHEET 1 OF 1

1. REFER TO PRODUCT MANUAL ON NI.COM FOR MORE DETAILS.

NOTES: UNLESS OTHERWISE SPECIFIED.

4

3

2

1