

4

3

2

1

D

D

C

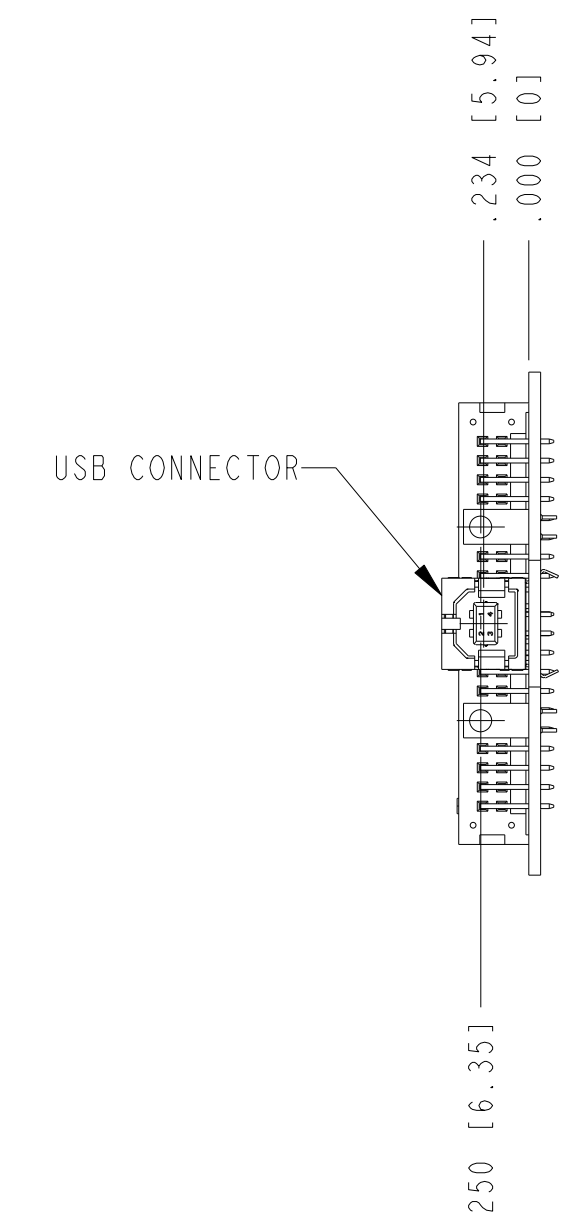
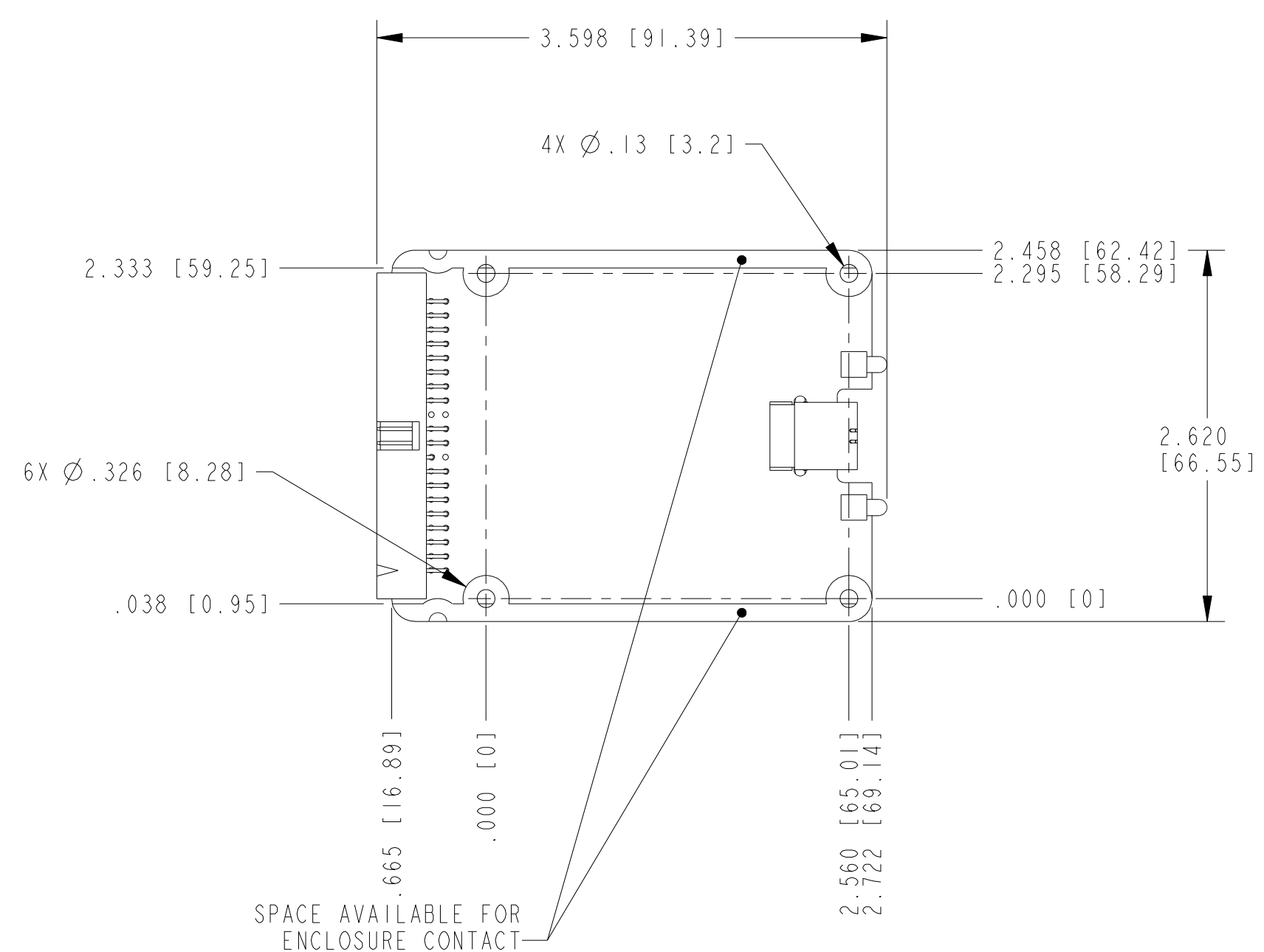
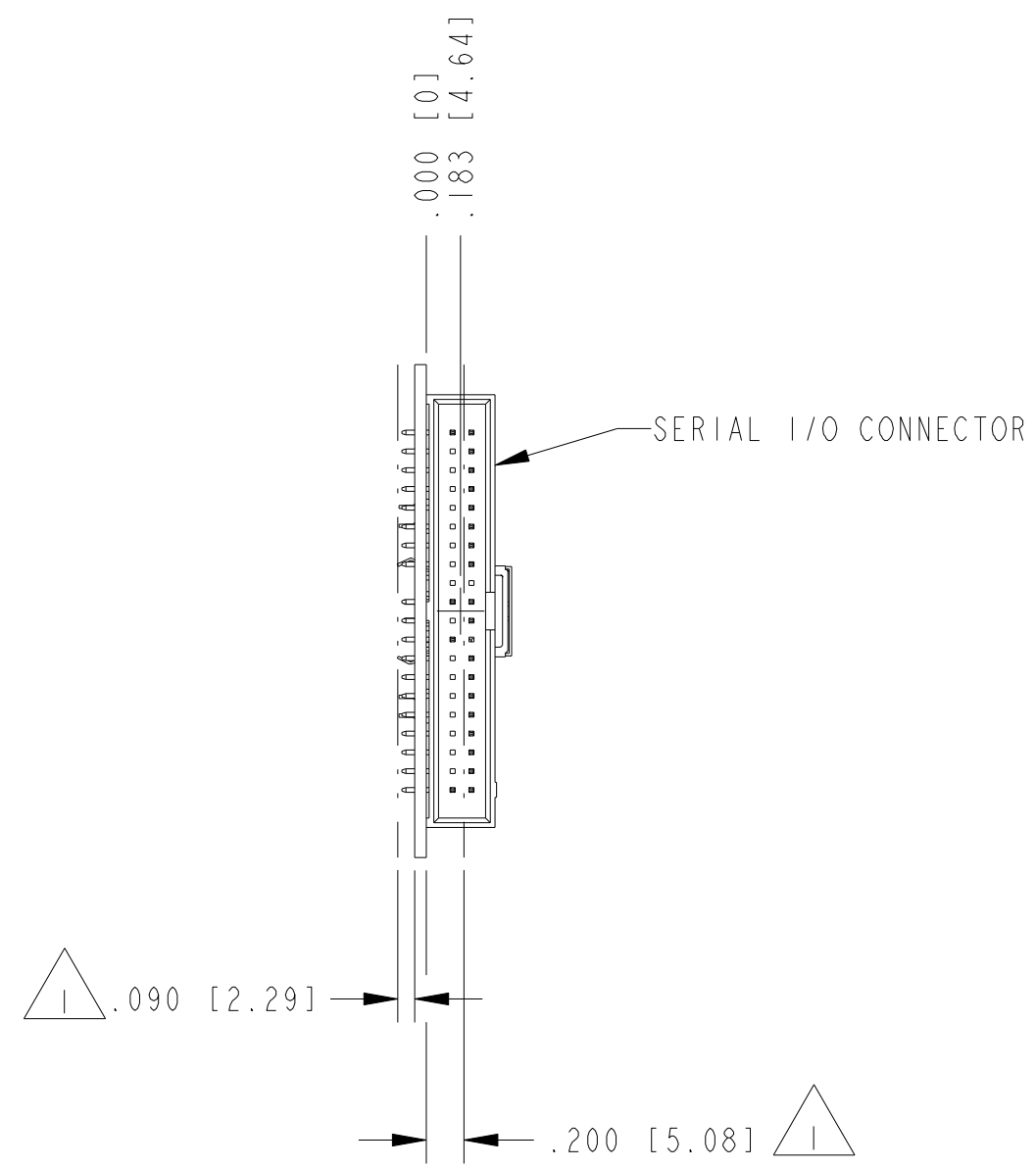
C

B

B

A

A



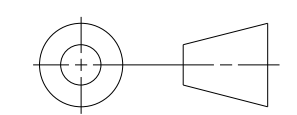
SPACE AVAILABLE FOR ENCLOSURE CONTACT

CUSTOMER DRAWING

UNLESS OTHERWISE SPECIFIED DIMENSIONS ARE IN INCHES AND [MILLIMETERS].

DO NOT SCALE DRAWING

THIRD ANGLE PROJECTION



NATIONAL INSTRUMENTS® AUSTIN, TEXAS

TITLE
 CUSTOMER DRAWING,
 USB-8452 OEM

SIZE CODE IDENT NO. MM/DD/YYYY
 C 7U296 03/22/2012

SCALE: 1/1 SHEET 1 OF 1

- 2. REFER TO PRODUCT MANUAL ON NI.COM FOR MORE DETAILS.
 - 1. CUSTOMER MUST PROVIDE MINIMUM COMPONENT CLEARANCE AS SHOWN.
- NOTES: UNLESS OTHERWISE SPECIFIED.

4

3

2

1