

4

3

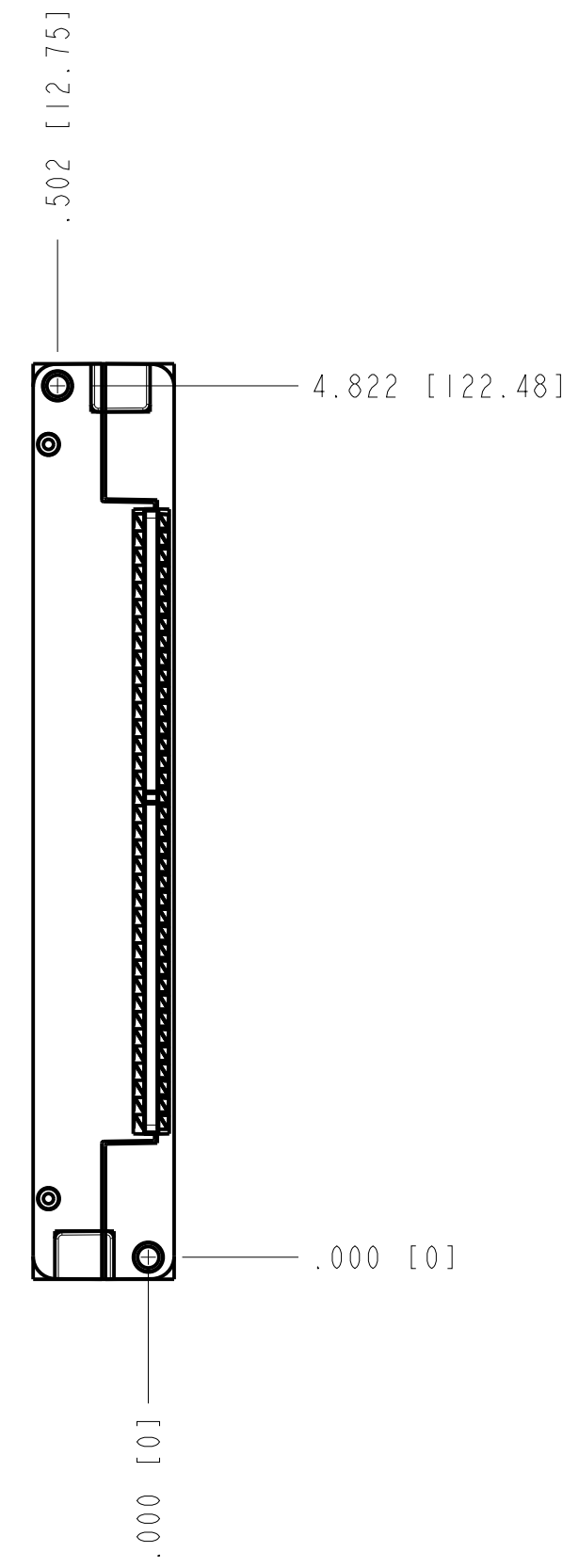
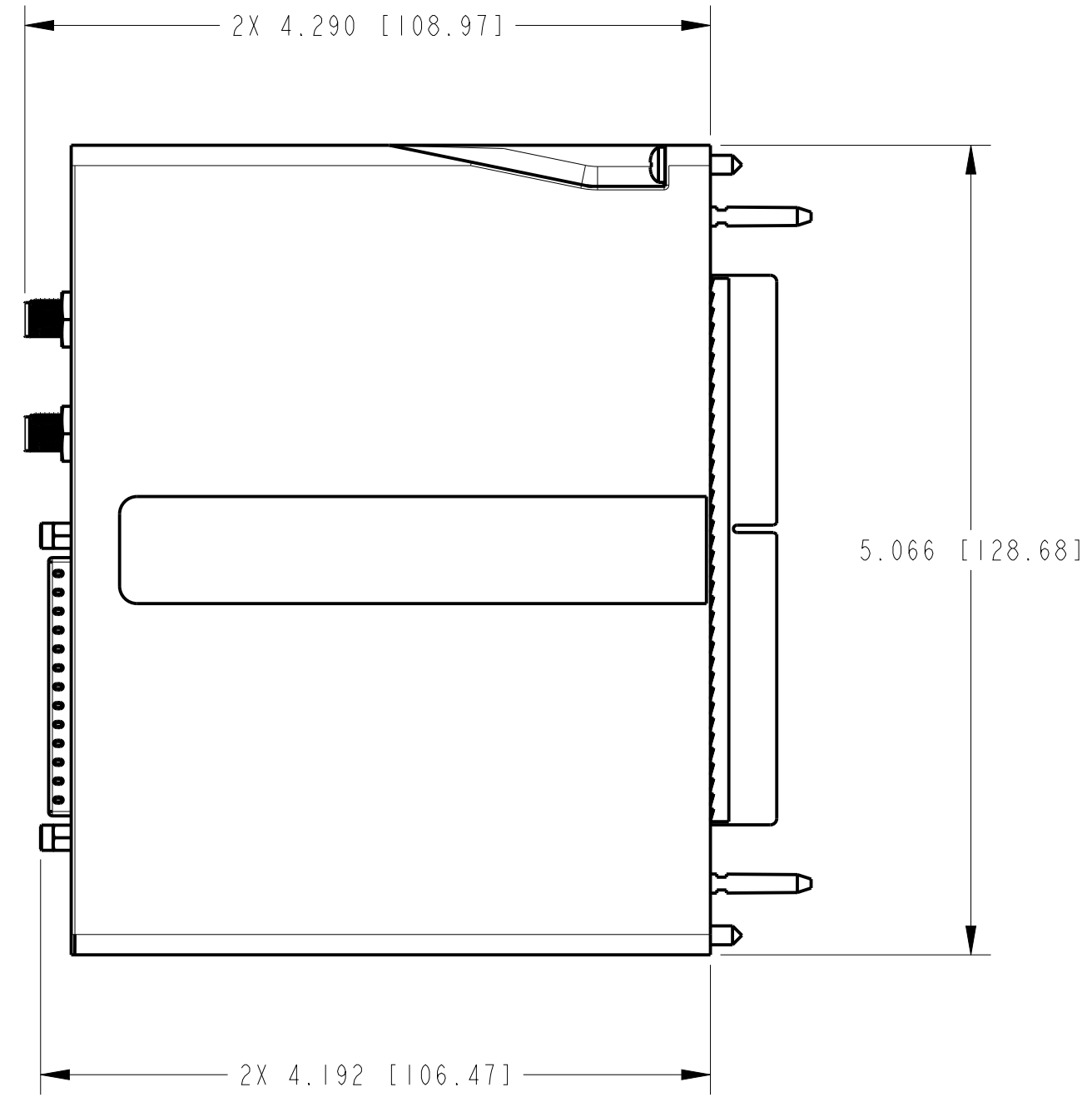
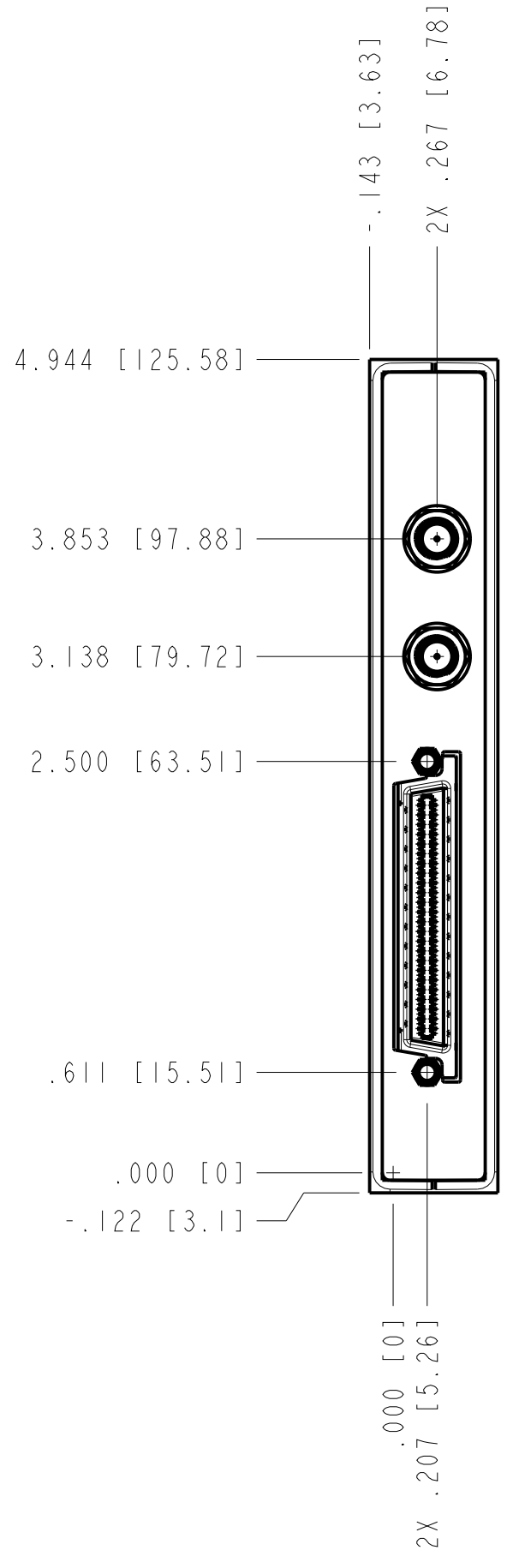
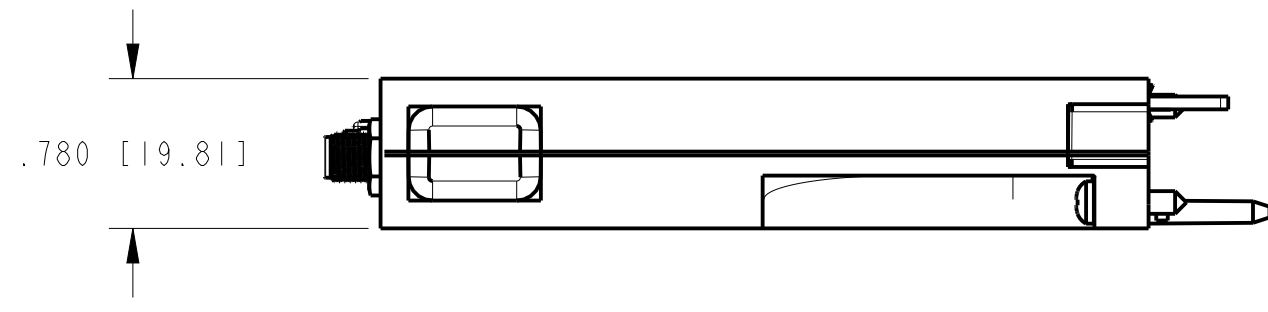
2

1

COPYRIGHT © 2010 NATIONAL INSTRUMENTS CORPORATION AND ITS LICENSORS. ALL RIGHTS RESERVED.

D

D



C

C

B

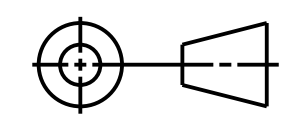
B

CUSTOMER DRAWING

UNLESS OTHERWISE SPECIFIED DIMENSIONS ARE IN INCHES AND [MILLIMETERS].

DO NOT SCALE DRAWING

THIRD ANGLE PROJECTION



NATIONAL INSTRUMENTS® AUSTIN, TEXAS

TITLE
NI 6587

SIZE CODE IDENT NO. MM/DD/YYYY
C 7U296 01/16/2012

SCALE: 1/1 SHEET 1 OF 1

A

A

4

3

2

1