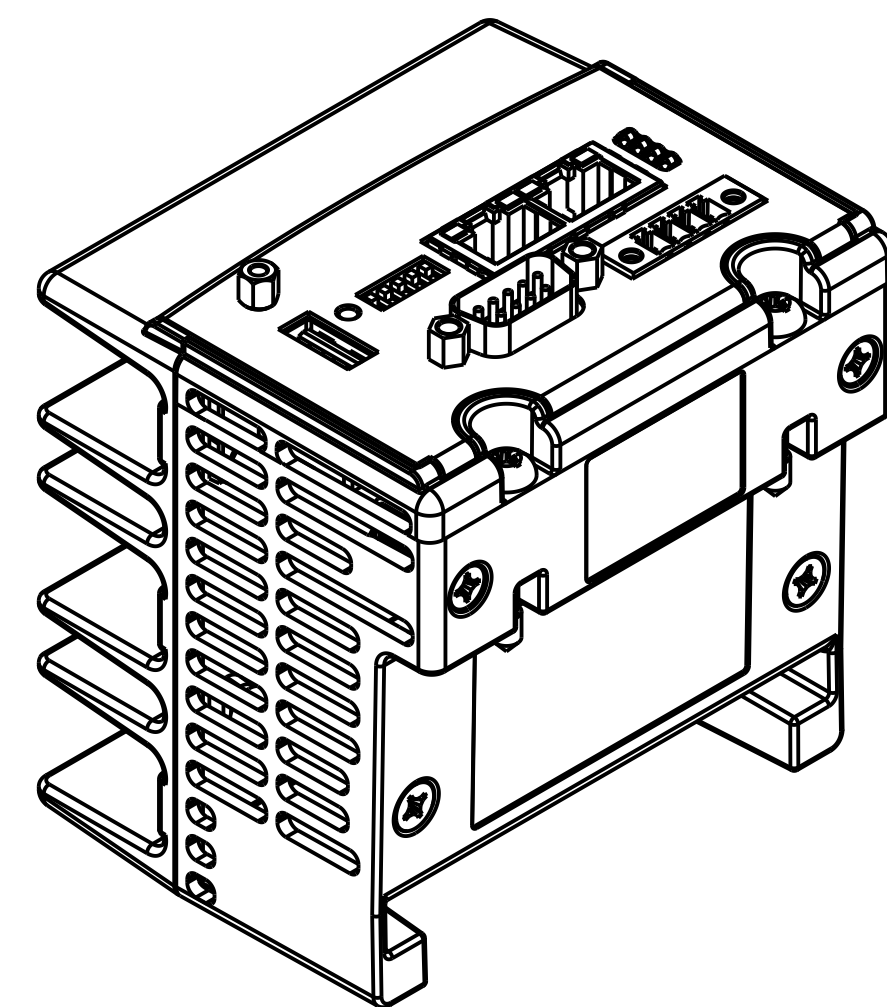
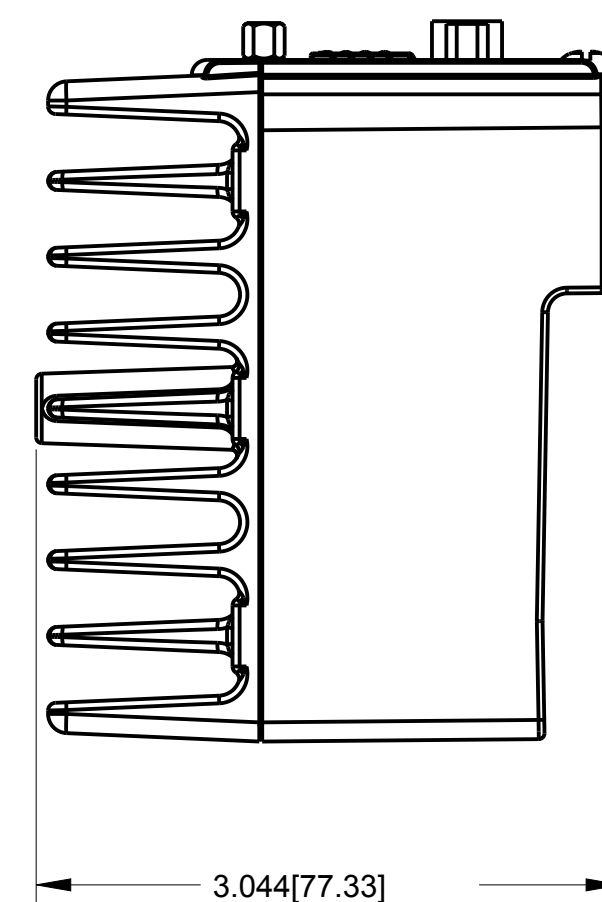
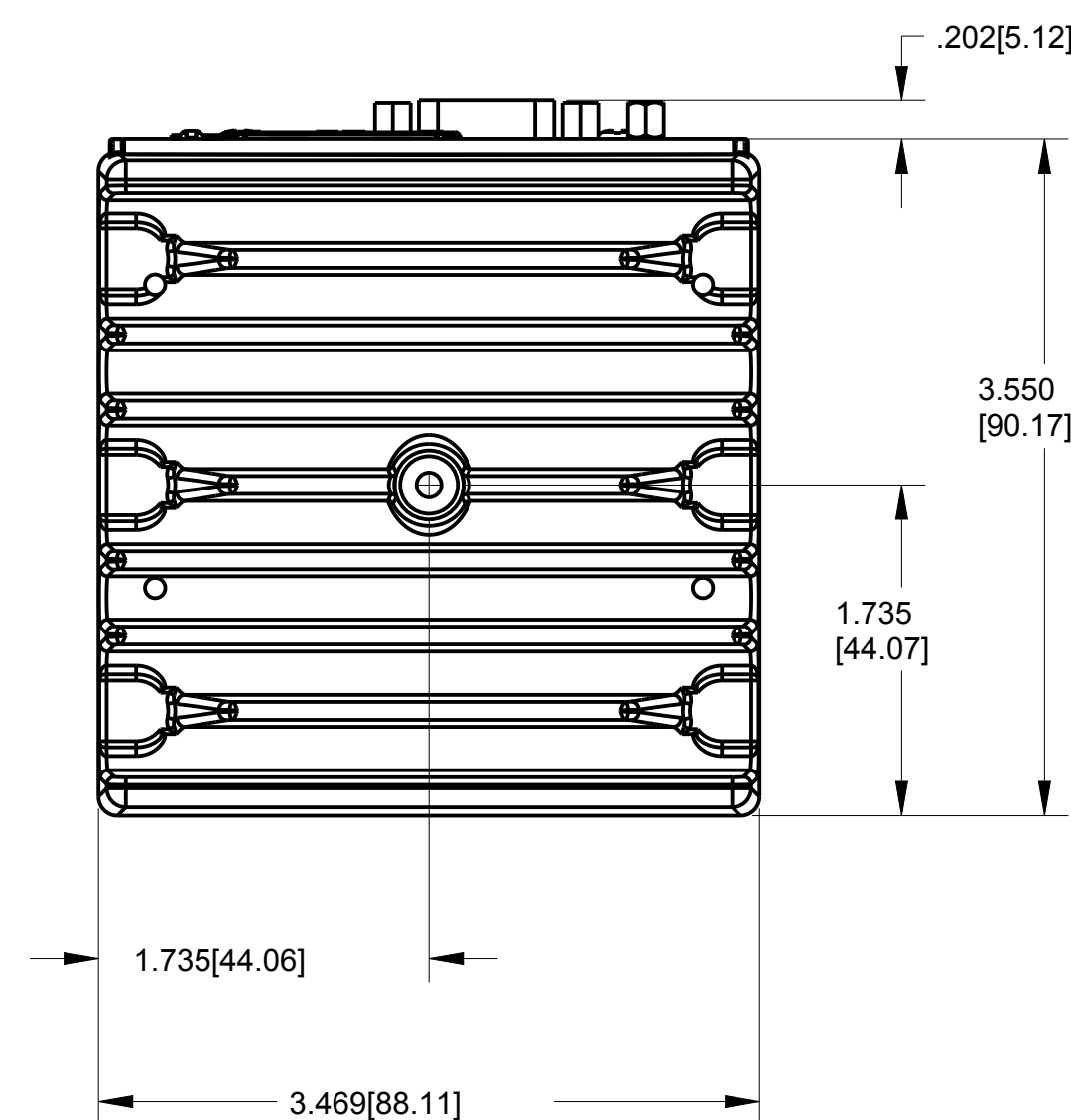
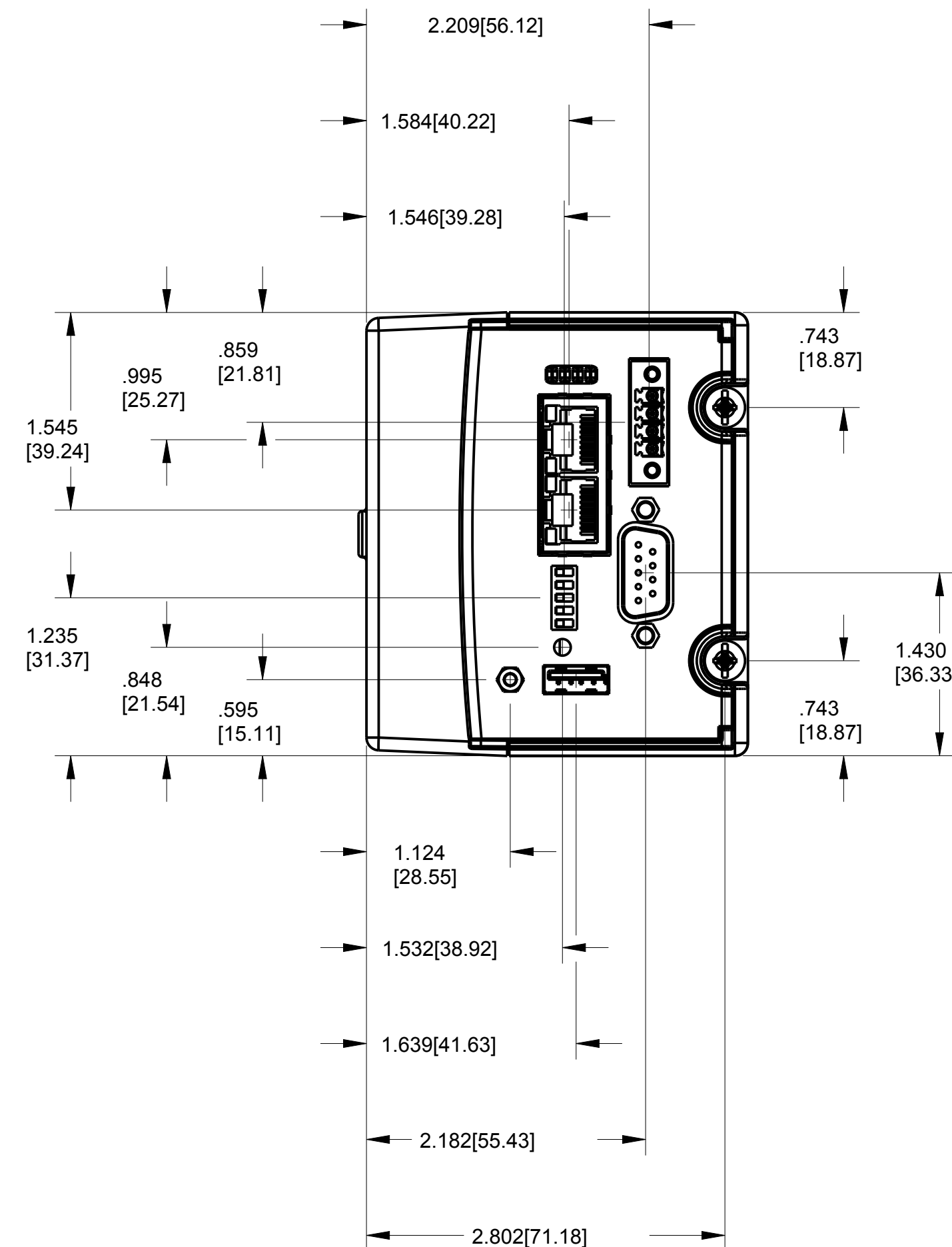


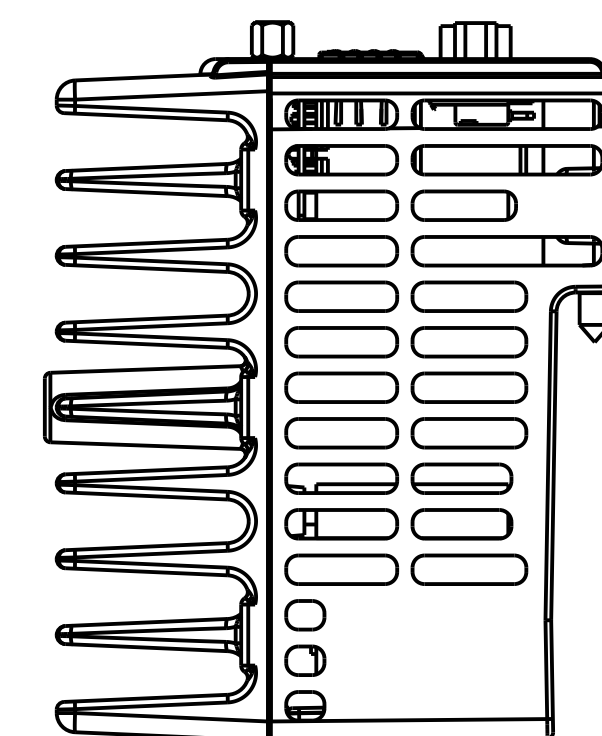
9022/9024 Model



9023/9025 Model



9022/9024 Model



9023/9025 Model

UNLESS OTHERWISE SPECIFIED
DIMENSIONS ARE IN INCHES AND
[MILLIMETERS].

DO NOT SCALE DRAWING
THIRD ANGLE PROJECTION

| | | | |
|-----------------------------------------------|--------------------------------|-------------------------------|--|
| | | AUSTIN, TEXAS | |
| TITLE CRIO-902X CUSTOMER DRAWING | | | |
| SIZE D | CODE IDENT NO. 7U296 | MM/DD/YYYY 08/19/11 | |
| SCALE: 1/1 | SHEET OF 1 | | |