

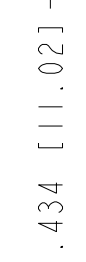
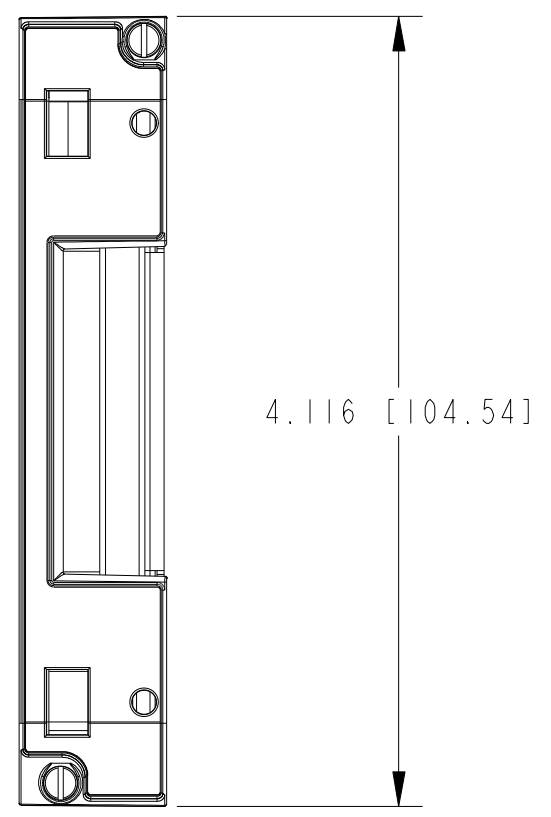
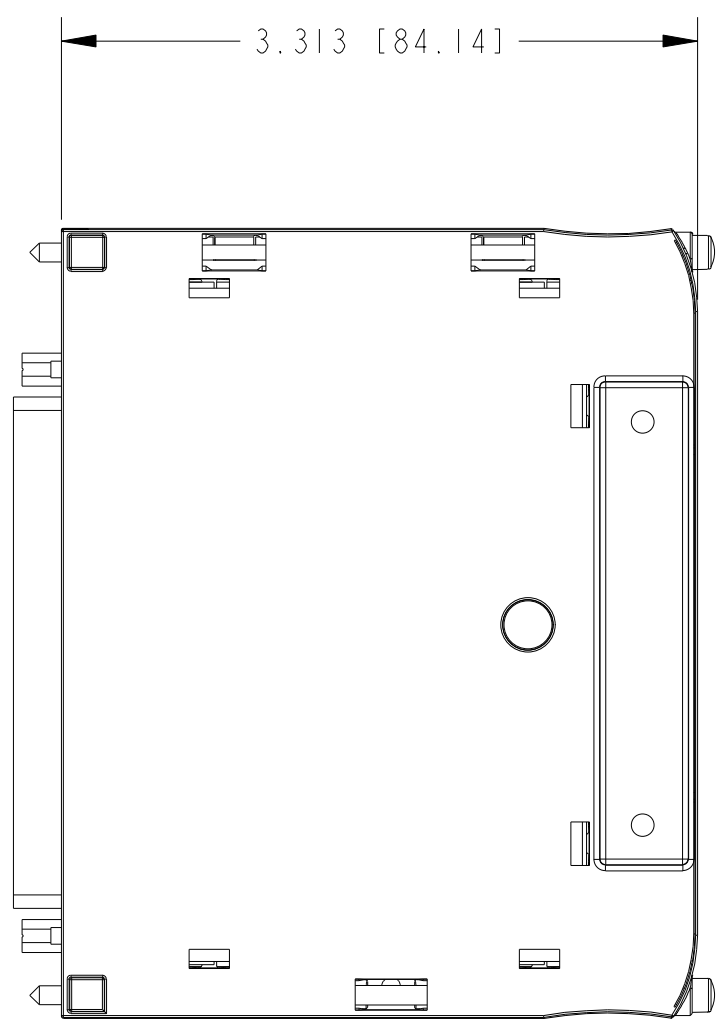
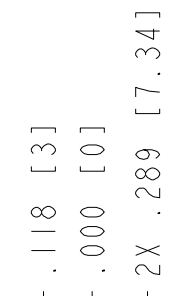
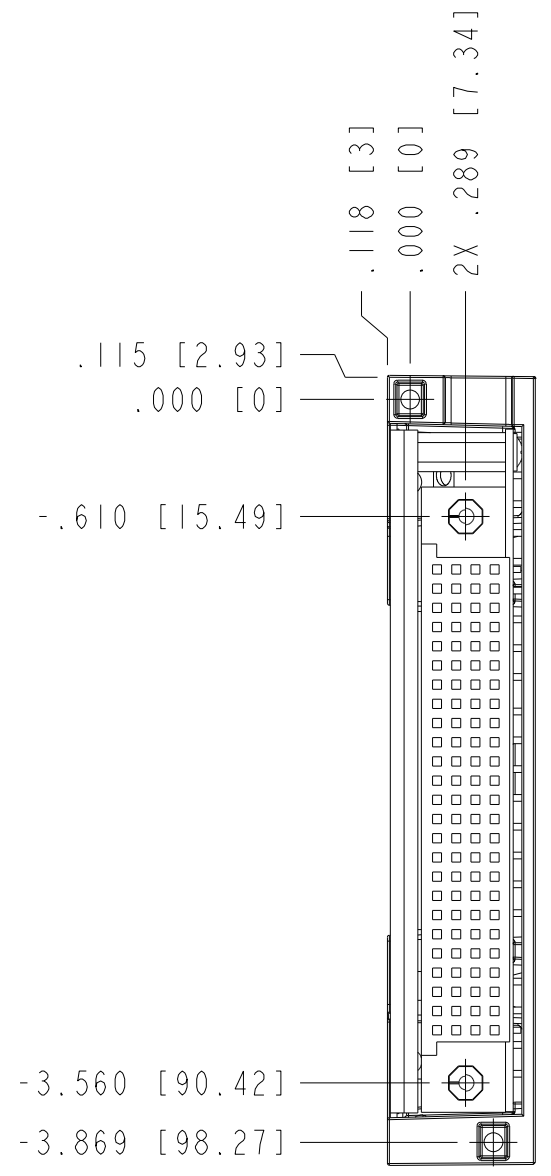
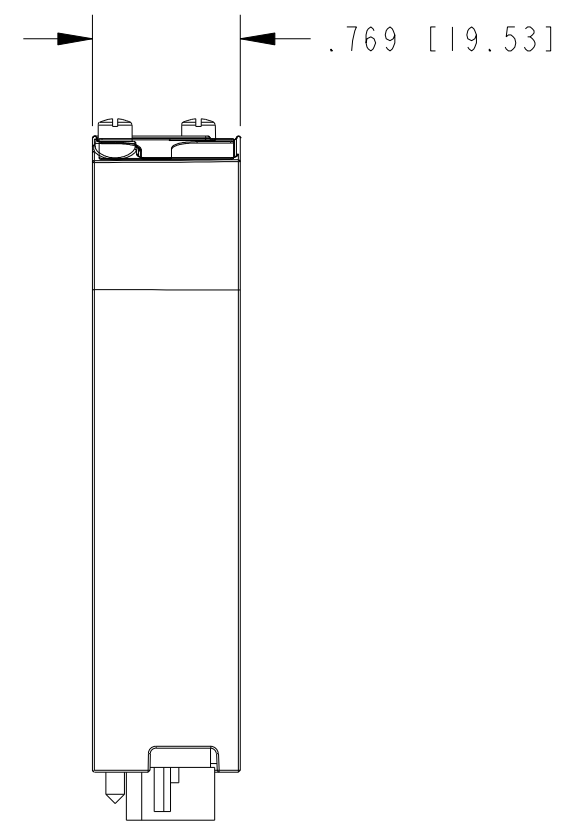
4

3

2

1

COPYRIGHT ©2010  
NATIONAL INSTRUMENTS CORPORATION AND ITS LICENSORS. ALL RIGHTS RESERVED.

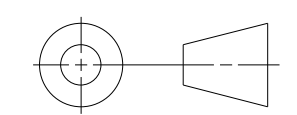


CUSTOMER DRAWING

UNLESS OTHERWISE SPECIFIED  
DIMENSIONS ARE IN INCHES AND  
[MILLIMETERS].

DO NOT SCALE DRAWING

THIRD ANGLE PROJECTION



**NATIONAL INSTRUMENTS®** AUSTIN, TEXAS

TITLE  
TB-2635

SIZE	CODE	IDENT NO.	MM/DD/YYYY
C	7U296		08/10/2011
SCALE:	1/1	SHEET	OF 1

4

3

2

1