

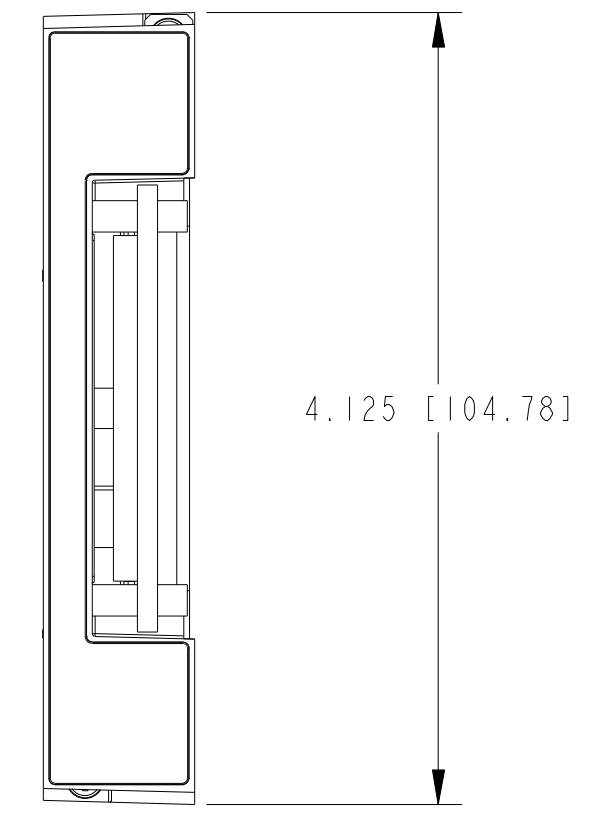
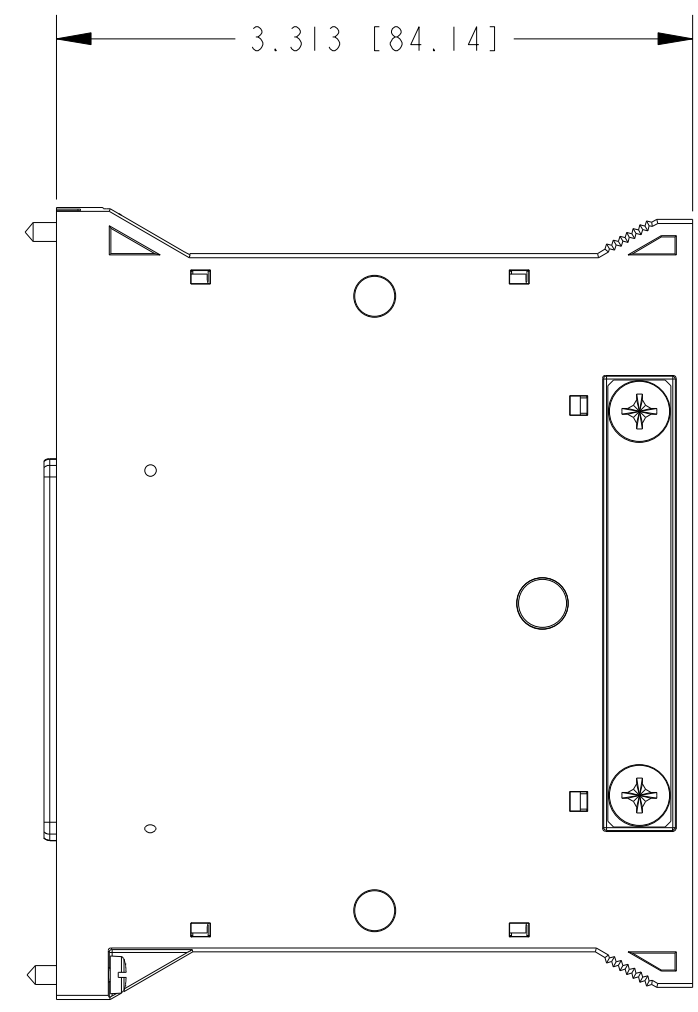
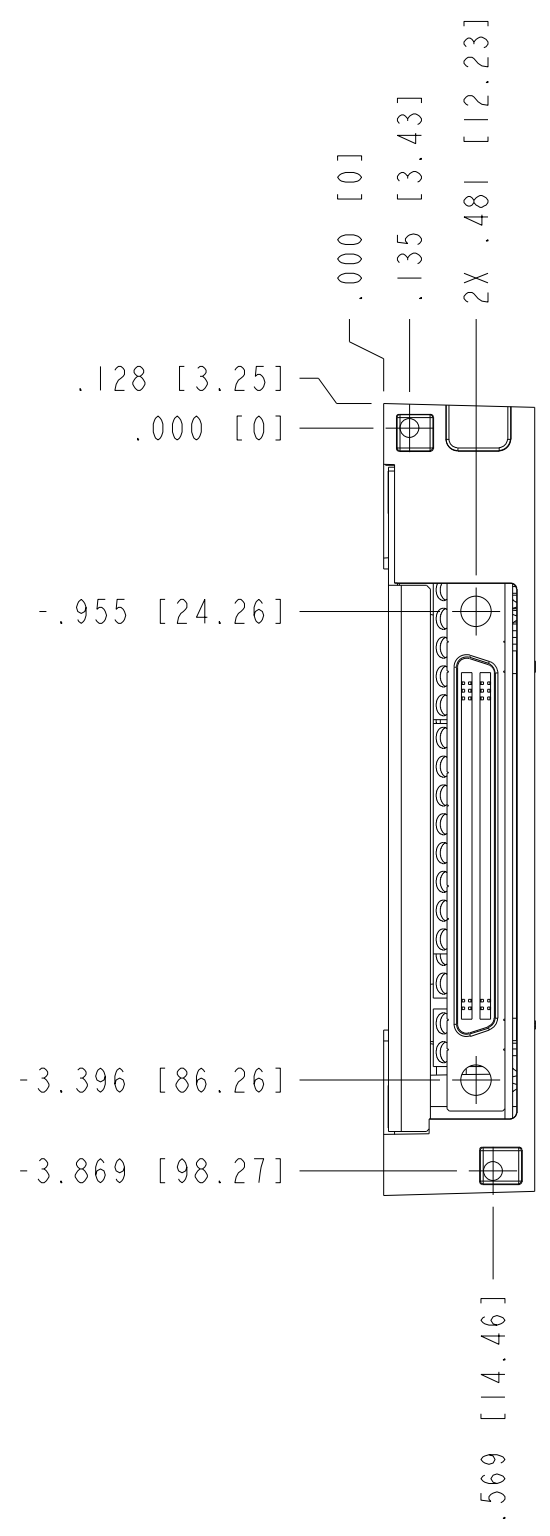
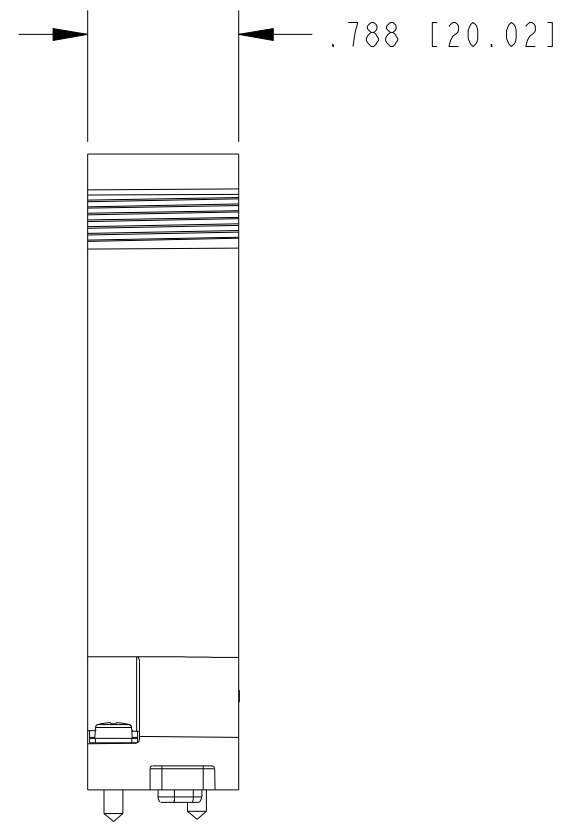
4

3

2

1

COPYRIGHT ©2010
NATIONAL INSTRUMENTS CORPORATION AND ITS LICENSORS. ALL RIGHTS RESERVED.

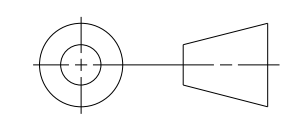


CUSTOMER DRAWING

UNLESS OTHERWISE SPECIFIED
DIMENSIONS ARE IN INCHES AND
[MILLIMETERS].

DO NOT SCALE DRAWING

THIRD ANGLE PROJECTION



		AUSTIN, TEXAS	
TITLE		TB-2632	
SIZE	CODE	IDENT NO.	MM/DD/YYYY
C	7U	296	08/10/2011
SCALE:	1/1	SHEET	OF 1

4

3

2

1

D

D

C

C

B

B

A

A