

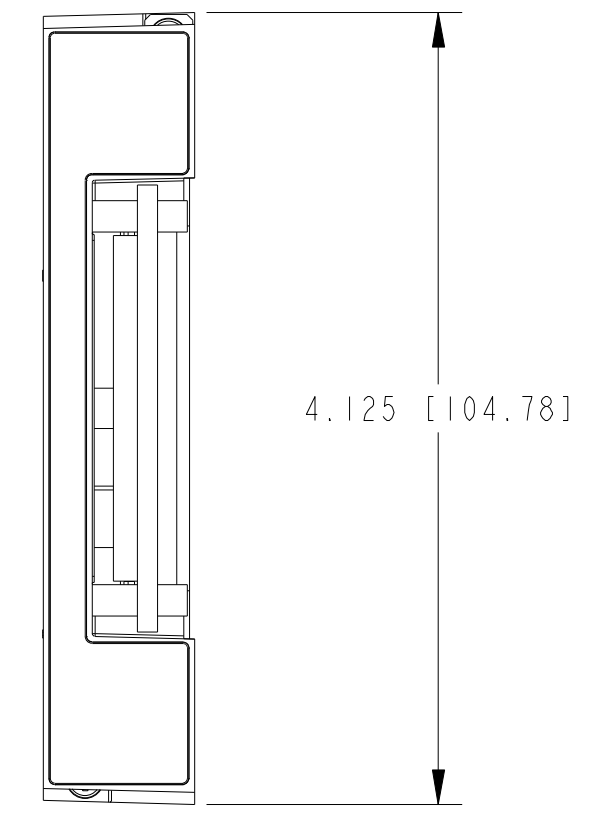
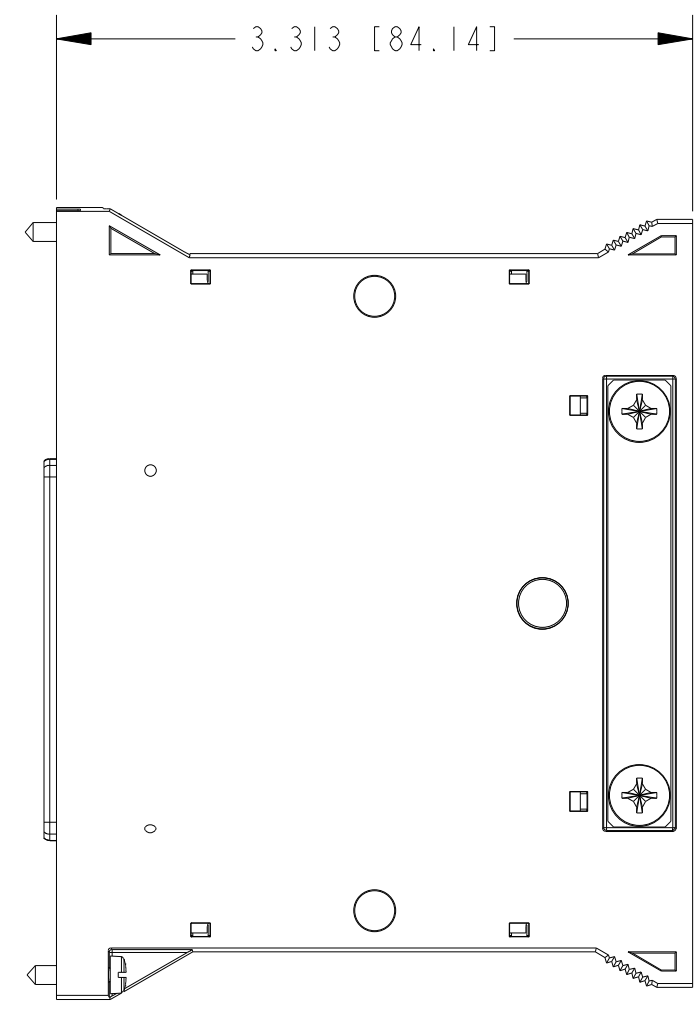
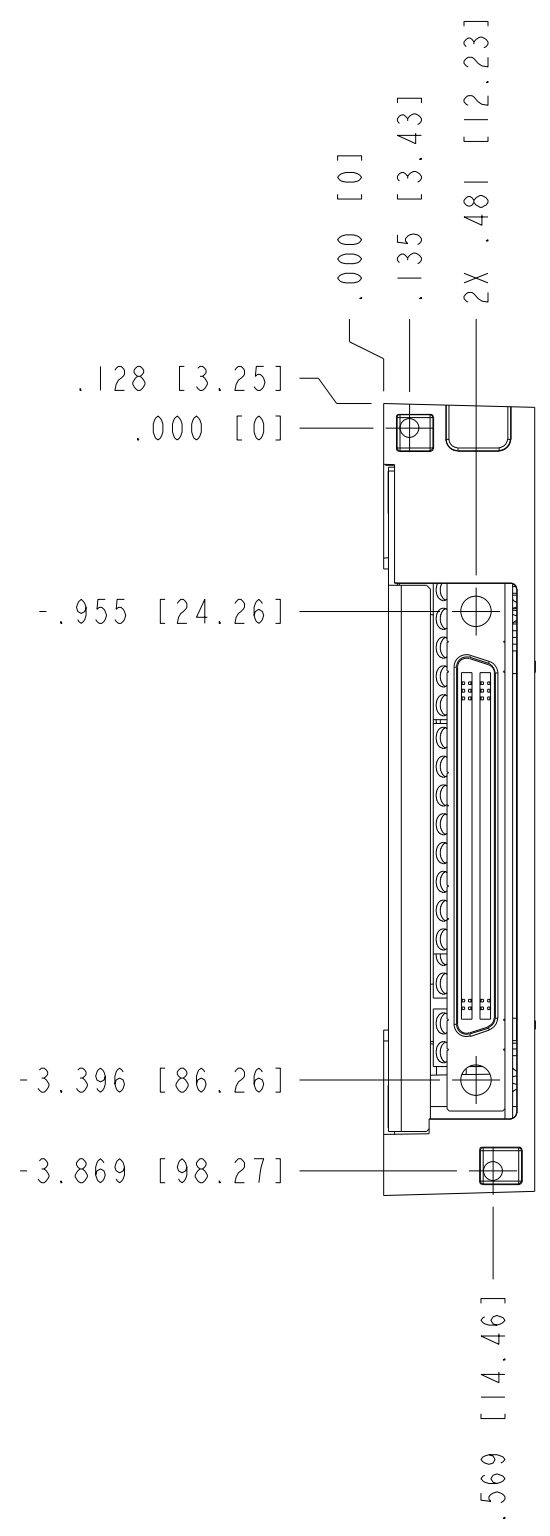
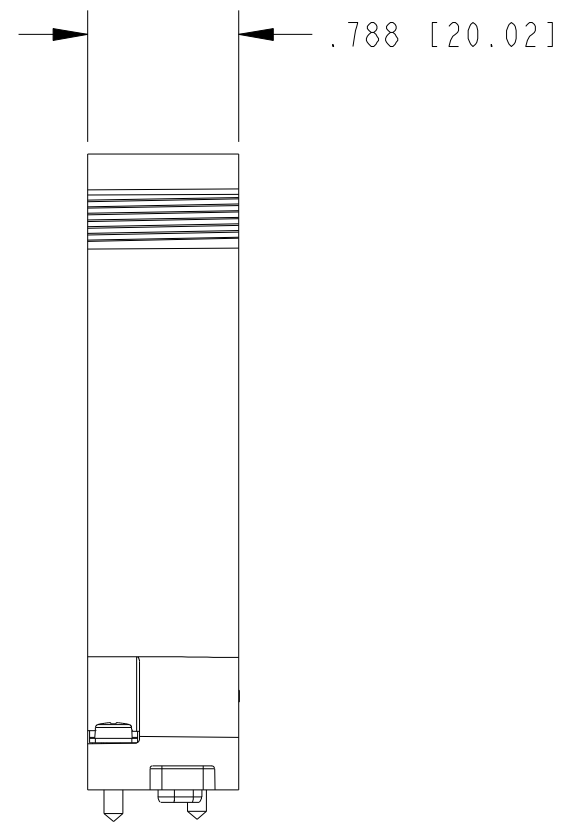
4

3

2

1

COPYRIGHT ©2010  
NATIONAL INSTRUMENTS CORPORATION AND ITS LICENSORS. ALL RIGHTS RESERVED.

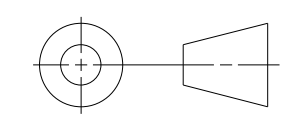


CUSTOMER DRAWING

UNLESS OTHERWISE SPECIFIED  
DIMENSIONS ARE IN INCHES AND  
[MILLIMETERS].

DO NOT SCALE DRAWING

THIRD ANGLE PROJECTION



		AUSTIN, TEXAS	
TITLE TB-2631			
SIZE C	CODE 7U296	IDENT NO. 08/10/2011	MM/DD/YYYY
SCALE: 1/1	SHEET 1 OF 1		CU_TB-2631

4

3

2

1

CU\_TB-2631