

4

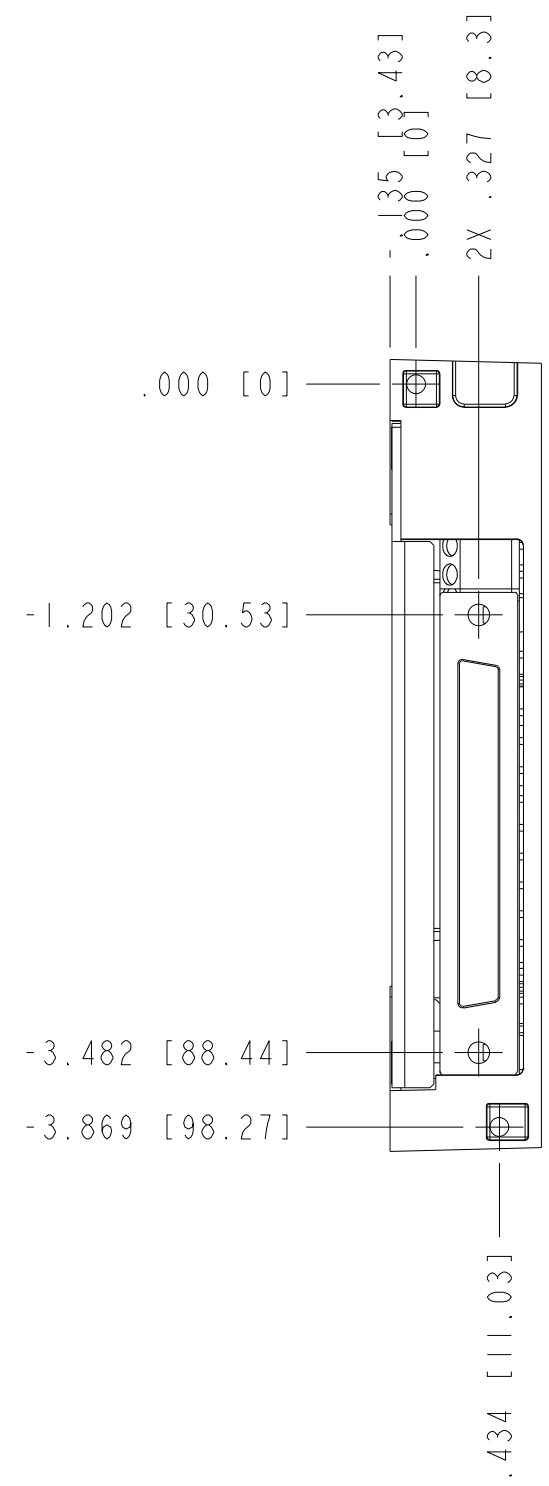
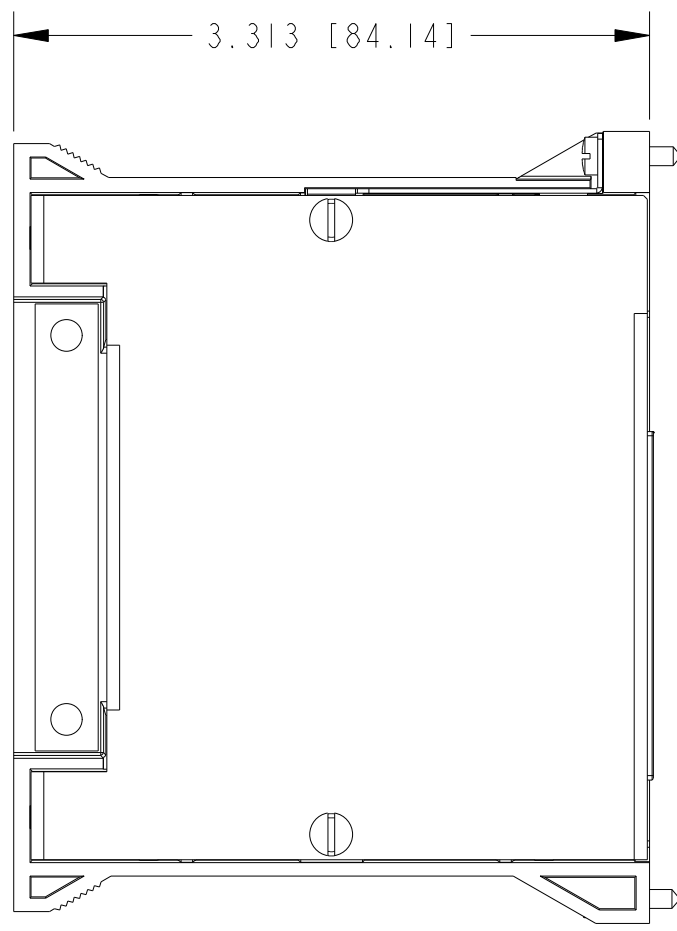
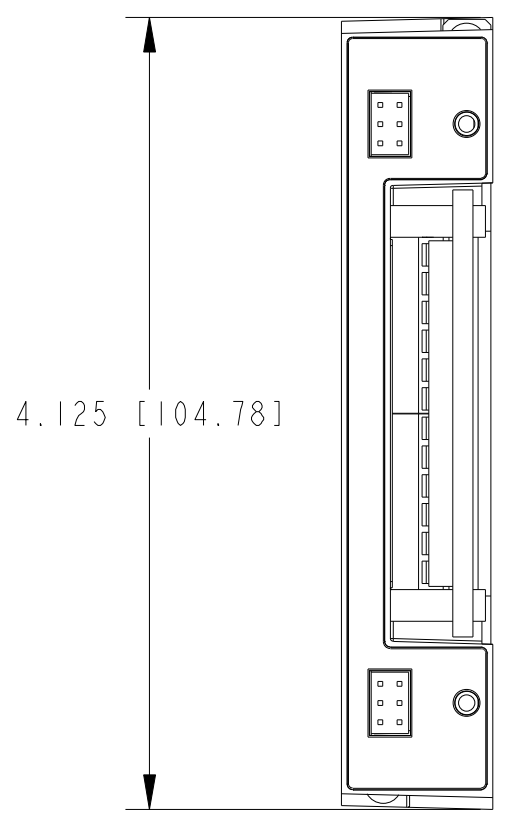
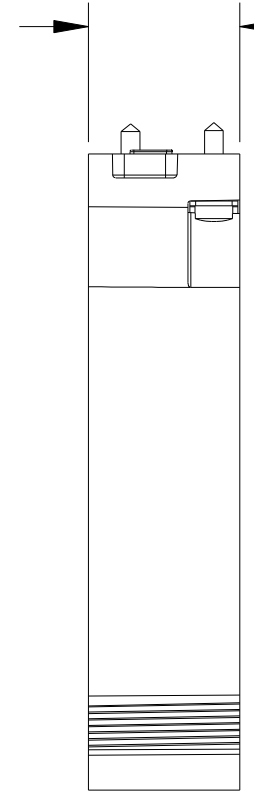
3

2

1

COPYRIGHT ©2010 NATIONAL INSTRUMENTS CORPORATION AND ITS LICENSORS. ALL RIGHTS RESERVED.

.788 [20.02]

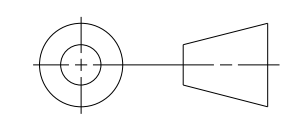


CUSTOMER DRAWING

UNLESS OTHERWISE SPECIFIED DIMENSIONS ARE IN INCHES AND [MILLIMETERS].

DO NOT SCALE DRAWING

THIRD ANGLE PROJECTION



**NATIONAL INSTRUMENTS®** AUSTIN, TEXAS

TITLE

NI TB 260X

SIZE	CODE	IDENT NO.	MM/DD/YYYY
C	7U296		08/10/2011

SCALE: 1/1	SHEET 1 OF 1
------------	--------------

4

3

2

1