

4

3

2

1

COPYRIGHT ©2011
NATIONAL INSTRUMENTS CORPORATION AND ITS LICENSORS. ALL RIGHTS RESERVED.

D

D

C

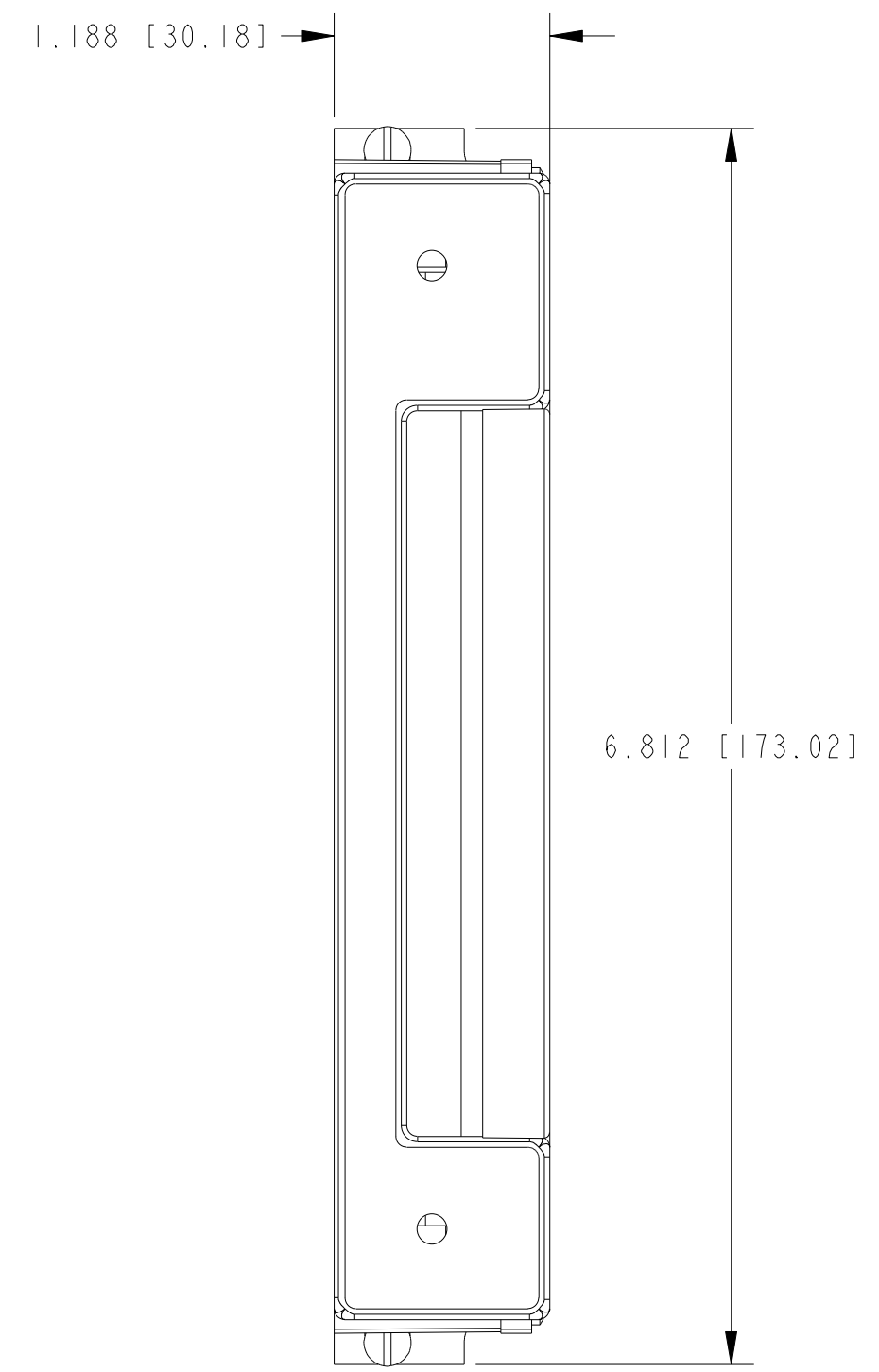
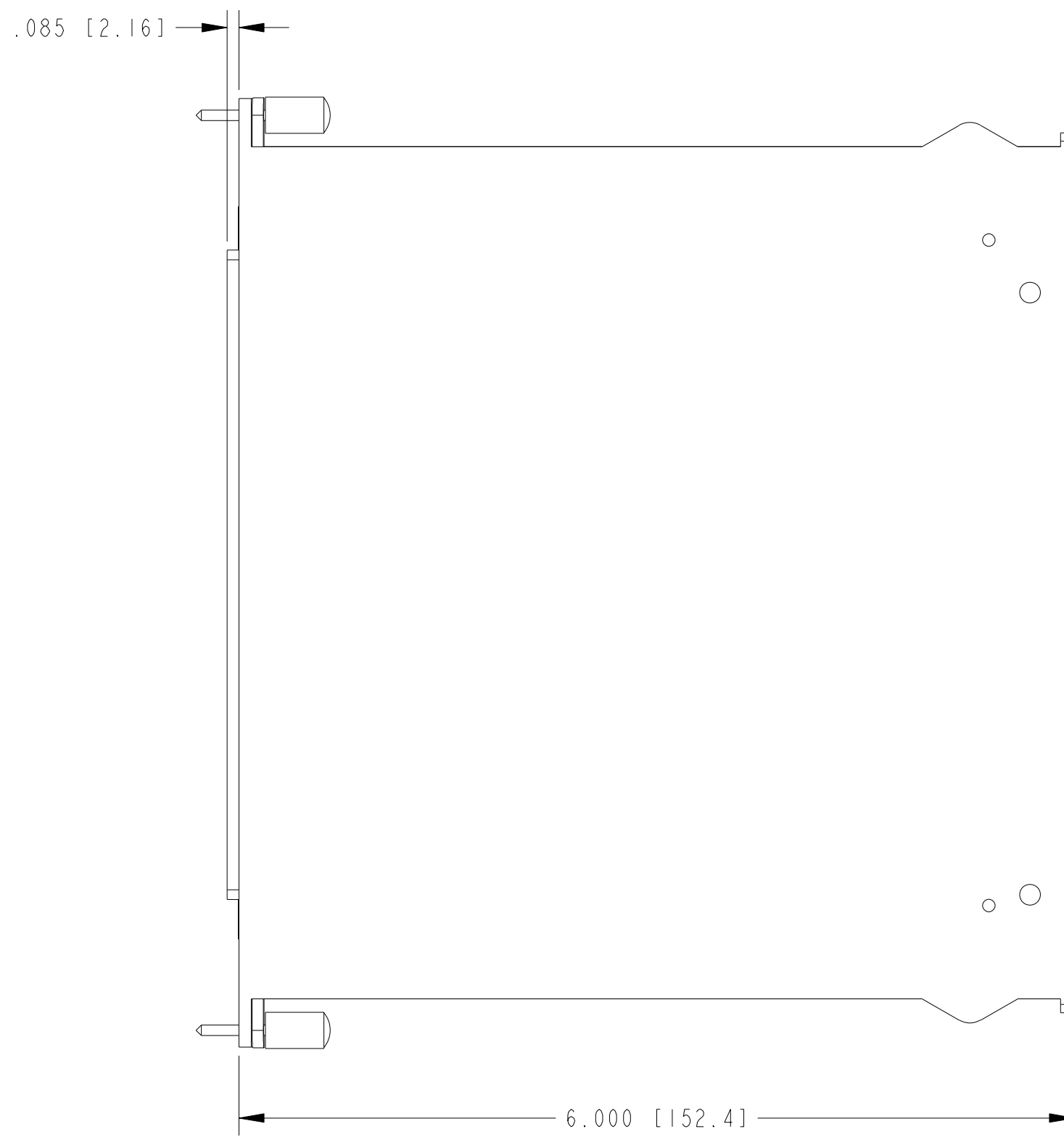
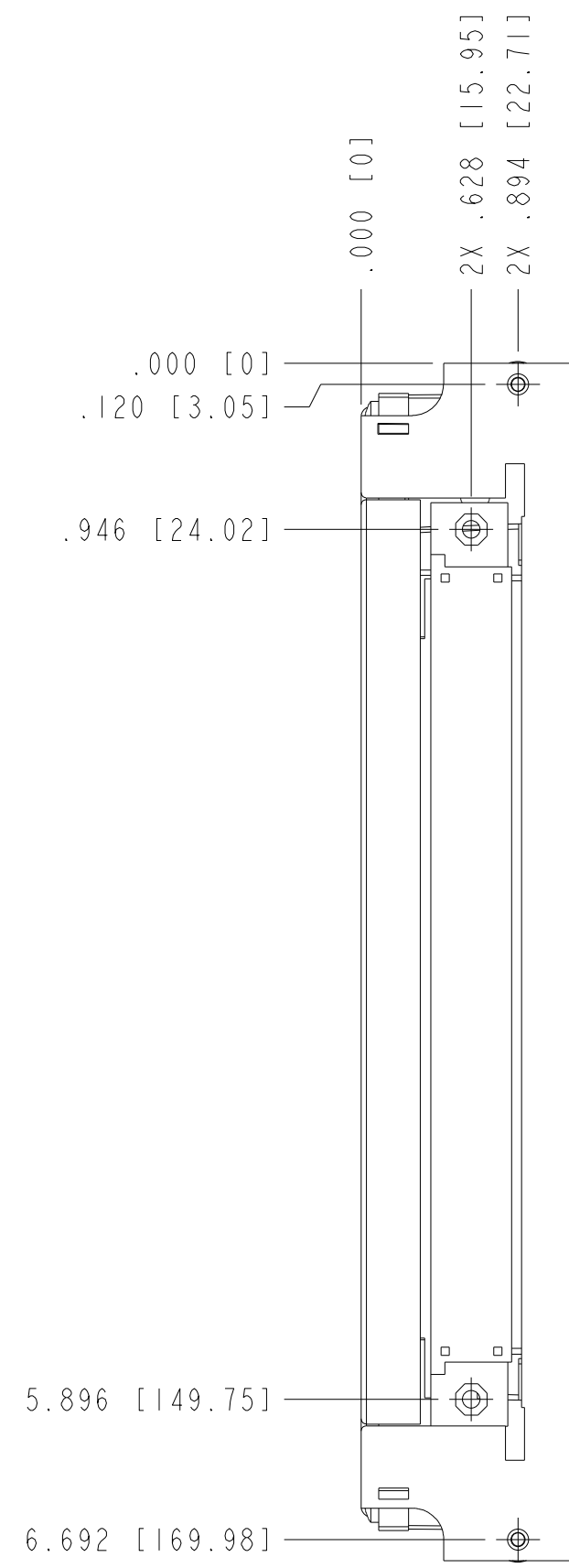
C

B

B

A

A

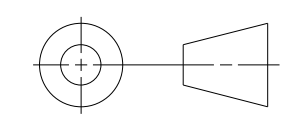


CUSTOMER DRAWING

UNLESS OTHERWISE SPECIFIED
DIMENSIONS ARE IN INCHES AND
[MILLIMETERS].

DO NOT SCALE DRAWING

THIRD ANGLE PROJECTION



NATIONAL INSTRUMENTS® AUSTIN, TEXAS

TITLE
TB-1336

SIZE	CODE	IDENT NO.	MM/DD/YYYY
C	7U296		08/14/2011
SCALE:	1/1	SHEET	OF 1

4

3

2

1