

4

3

2

1

COPYRIGHT ©2011
NATIONAL INSTRUMENTS CORPORATION AND ITS LICENSORS. ALL RIGHTS RESERVED.

D

D

C

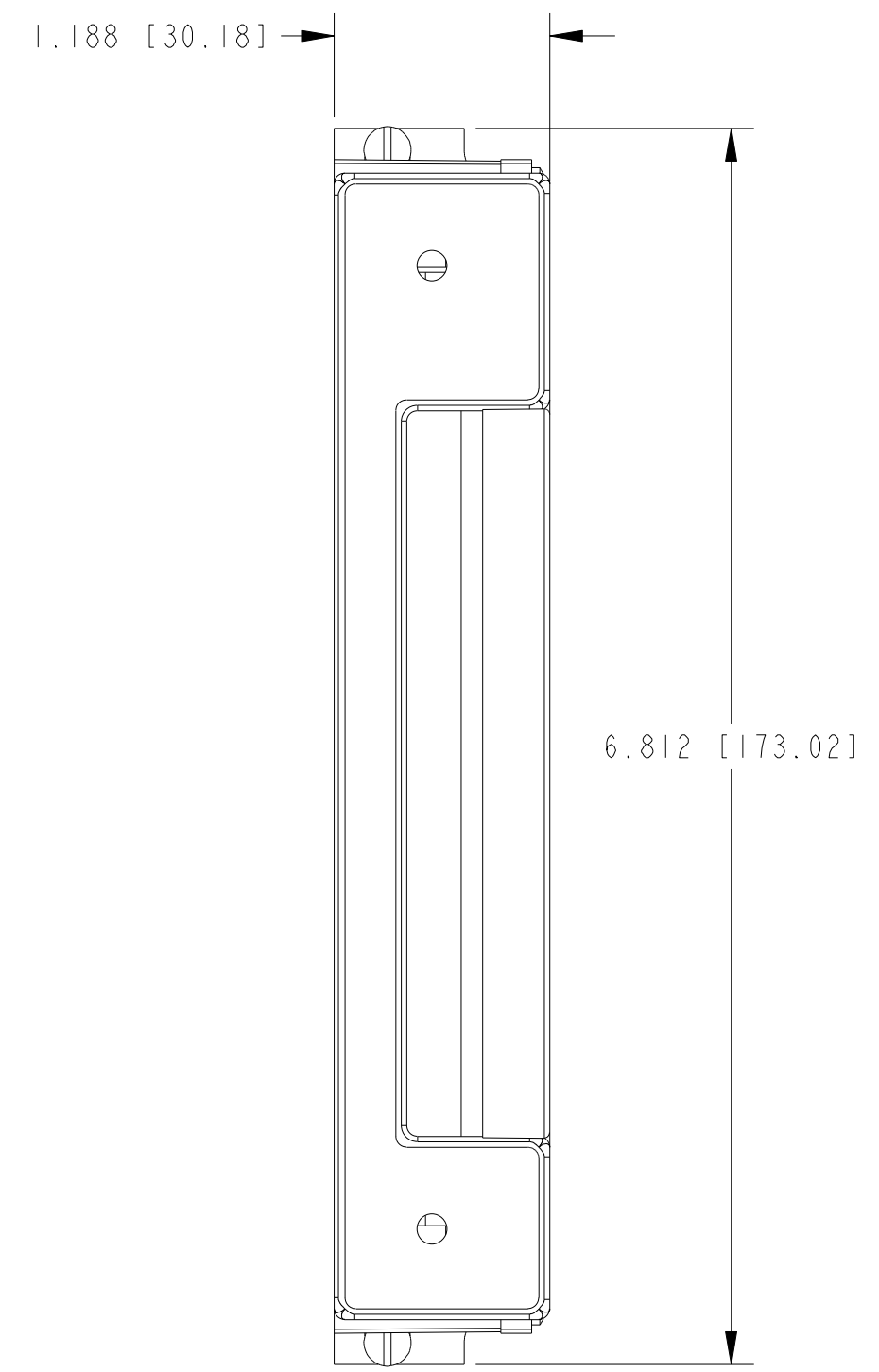
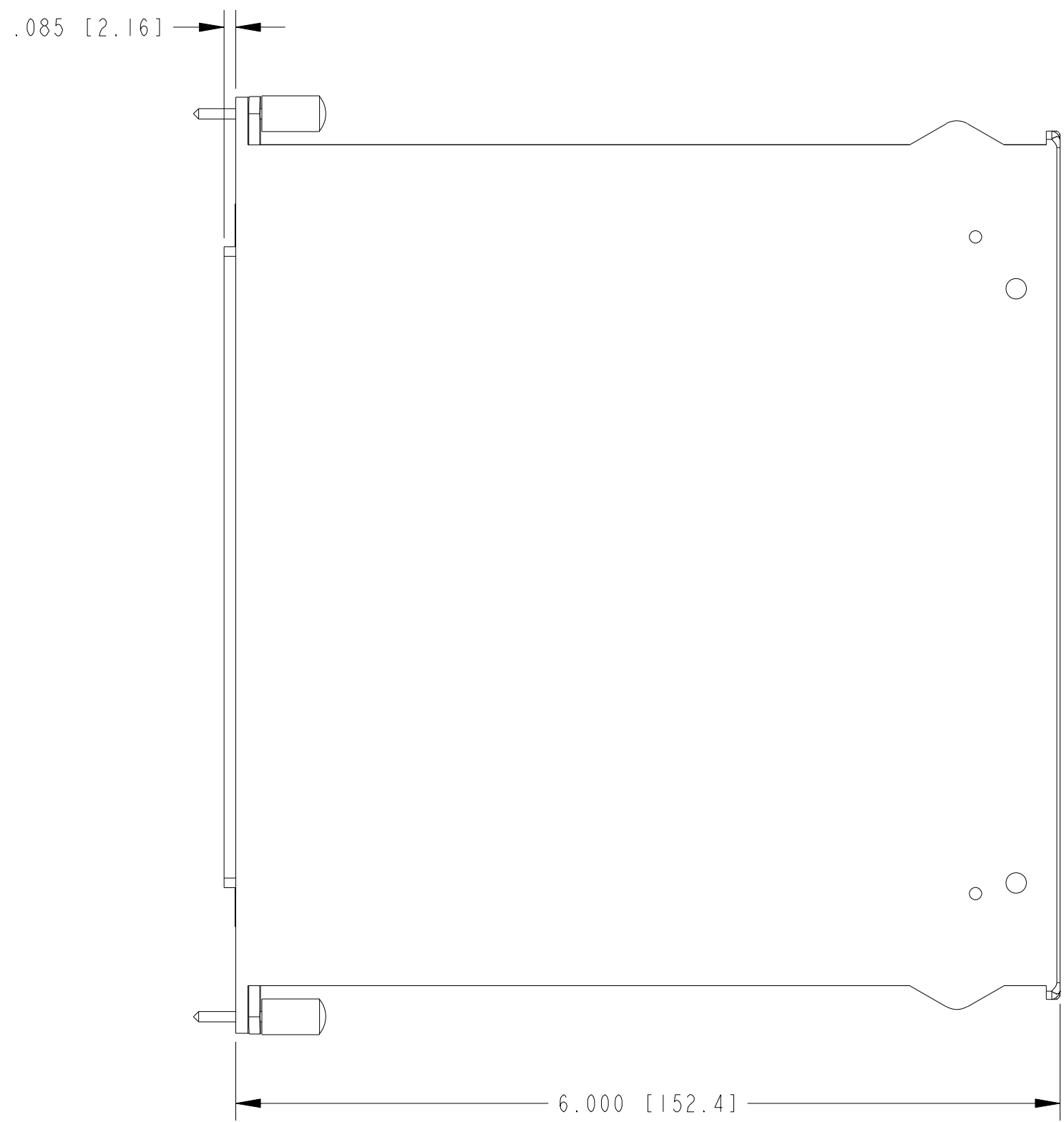
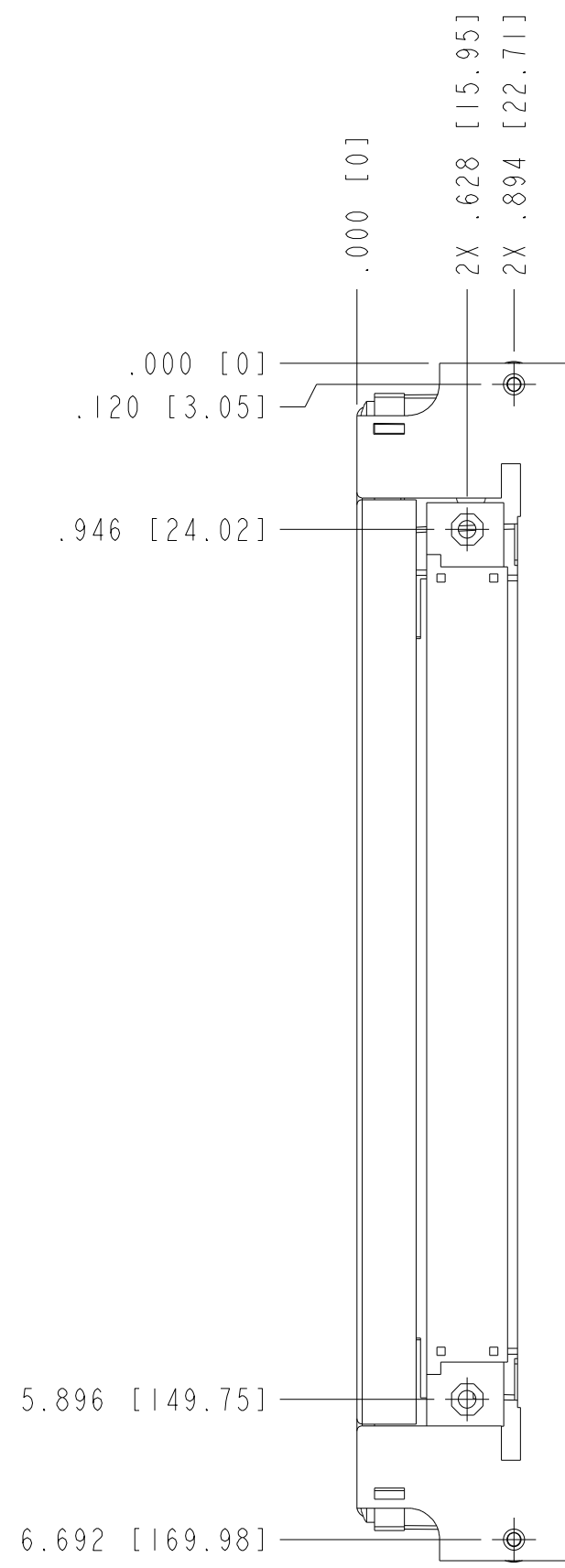
C

B

B

A

A

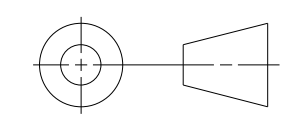


CUSTOMER DRAWING

UNLESS OTHERWISE SPECIFIED
DIMENSIONS ARE IN INCHES AND
[MILLIMETERS].

DO NOT SCALE DRAWING

THIRD ANGLE PROJECTION



NATIONAL INSTRUMENTS® AUSTIN, TEXAS

TITLE
TB-1335

SIZE CODE IDENT NO. MM/DD/YYYY
C 7U296 08/14/2011

SCALE: 1/1 SHEET 1 OF 1

4

3

2

1