

4

3

2

1

COPYRIGHT ©2011  
NATIONAL INSTRUMENTS CORPORATION AND ITS LICENSORS. ALL RIGHTS RESERVED.

D

D

C

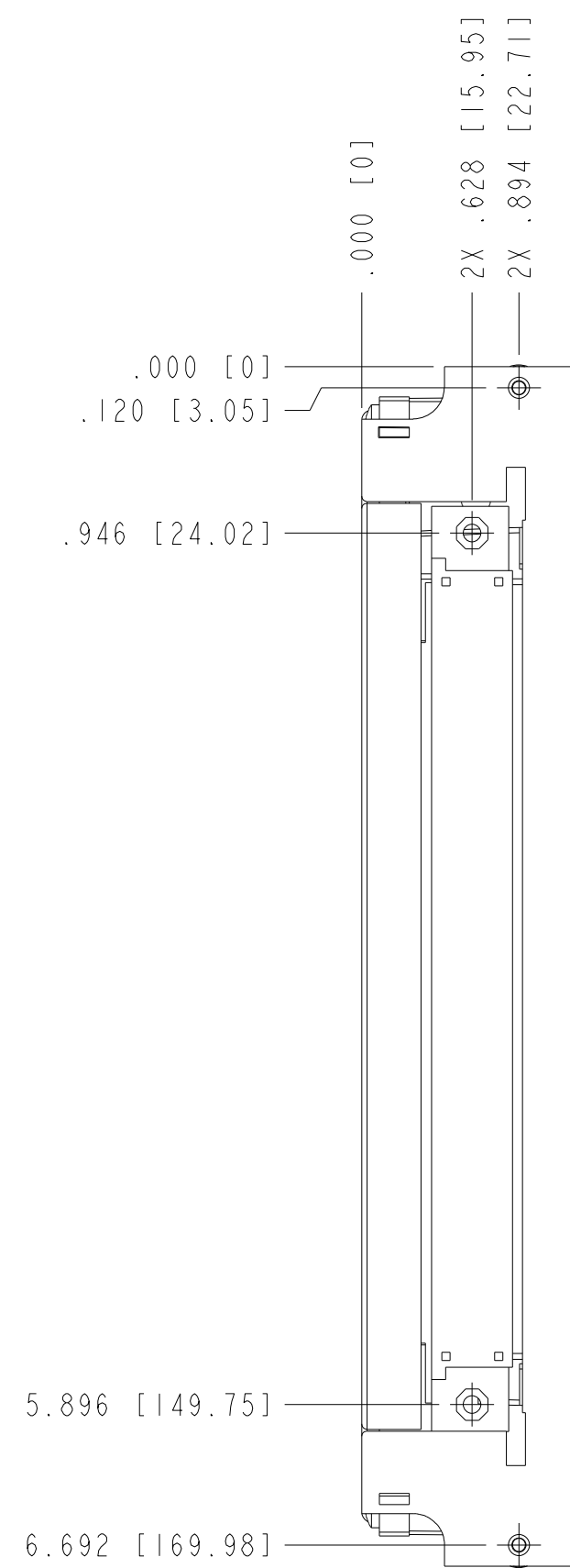
C

B

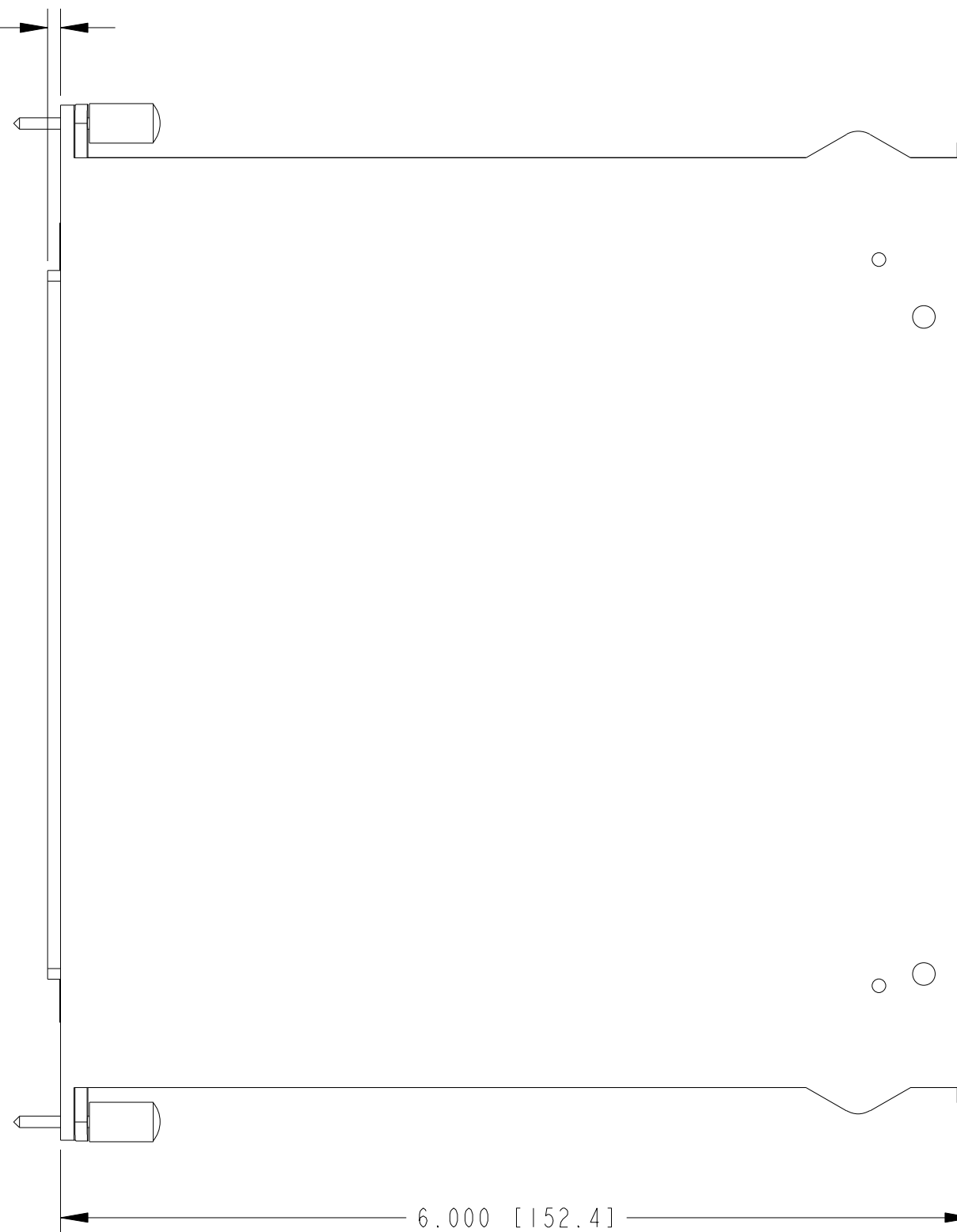
B

A

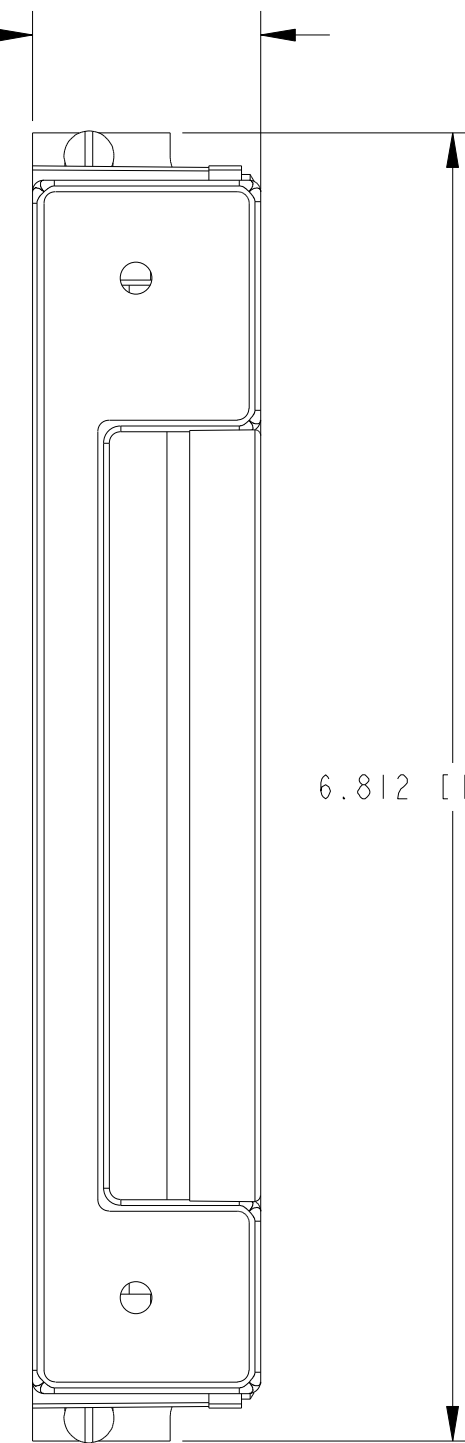
A



.085 [2.16]



1.188 [30.18]

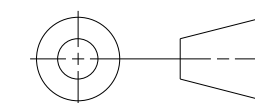


CUSTOMER DRAWING

UNLESS OTHERWISE SPECIFIED  
DIMENSIONS ARE IN INCHES AND  
[MILLIMETERS].

DO NOT SCALE DRAWING

THIRD ANGLE PROJECTION



AUSTIN, TEXAS

TITLE

TB-1334

SIZE CODE IDENT NO. MM/DD/YYYY

C7U296

08/14/2011

SCALE: 1/1

SHEET 1 OF 1

4

3

2

1

CU\_TB-1334