

**ELECTRICAL CHARACTERISTICS**

CONTACT CURRENT RATING: 0.5 AMPERE  
 DIELECTRIC WITHSTANDING VOLTAGE: 250 VAC  
 INSULATION RESISTANCE: 500 MEGOHMS MIN.  
 CONTACT RESISTANCE: 80 MILLIOHMS MAX.

**MATERIALS**

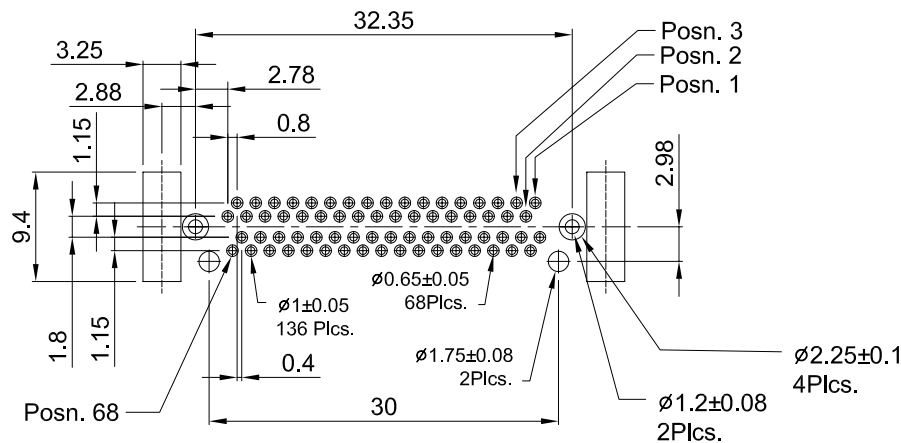
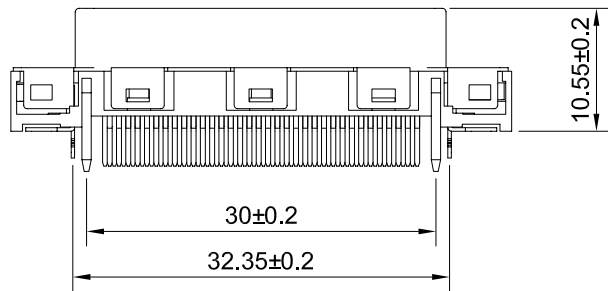
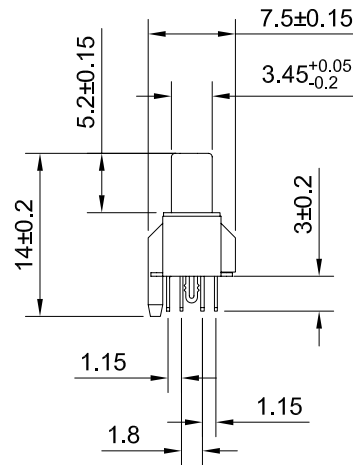
CONTACTS: COPPER ALLOY  
 INSULATOR: THERMOPLASTIC 94V-0  
 SHELL: COLD ROLLER STEEL

**FINISHES**

CONTACT: 30 u" MIN. GOLD ON MATING END;  
 TIN ON TERMINATION END;  
 ALL UNDERPLATED 50 u" MIN. NICKEL  
 SHELL: NICKEL OVER COPPER

**ENVIRONMENT**

OPERATION TEMPERATURE: -55°C TO + 85°C



Recommended P C Board Layout



TITLE: VHDCI 0.8mm Vertical Receptacle Connectors			
DWG#:	R-HS-008068-1B	SHEET:	1 / 1 REV. A
UNIT:	mm	FINISH:	CHECKED: Haven Yang
SCALE:	1.5:1	MATERIAL:	APPROVED: George Yang
TOLERANCE:		DRAWN:	DATE: 05/17/2006
		Mandy	