

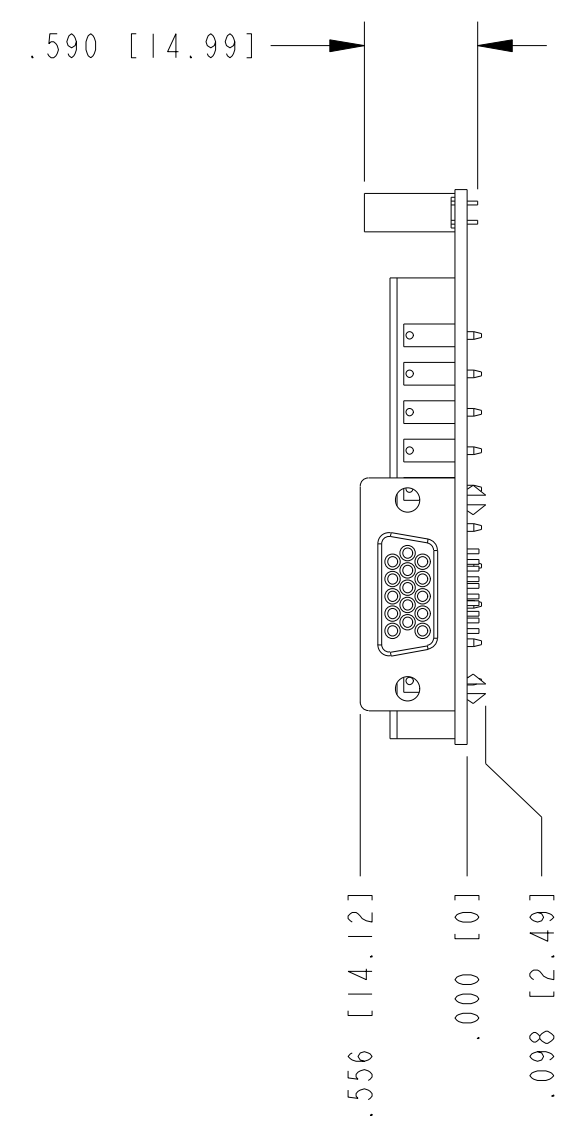
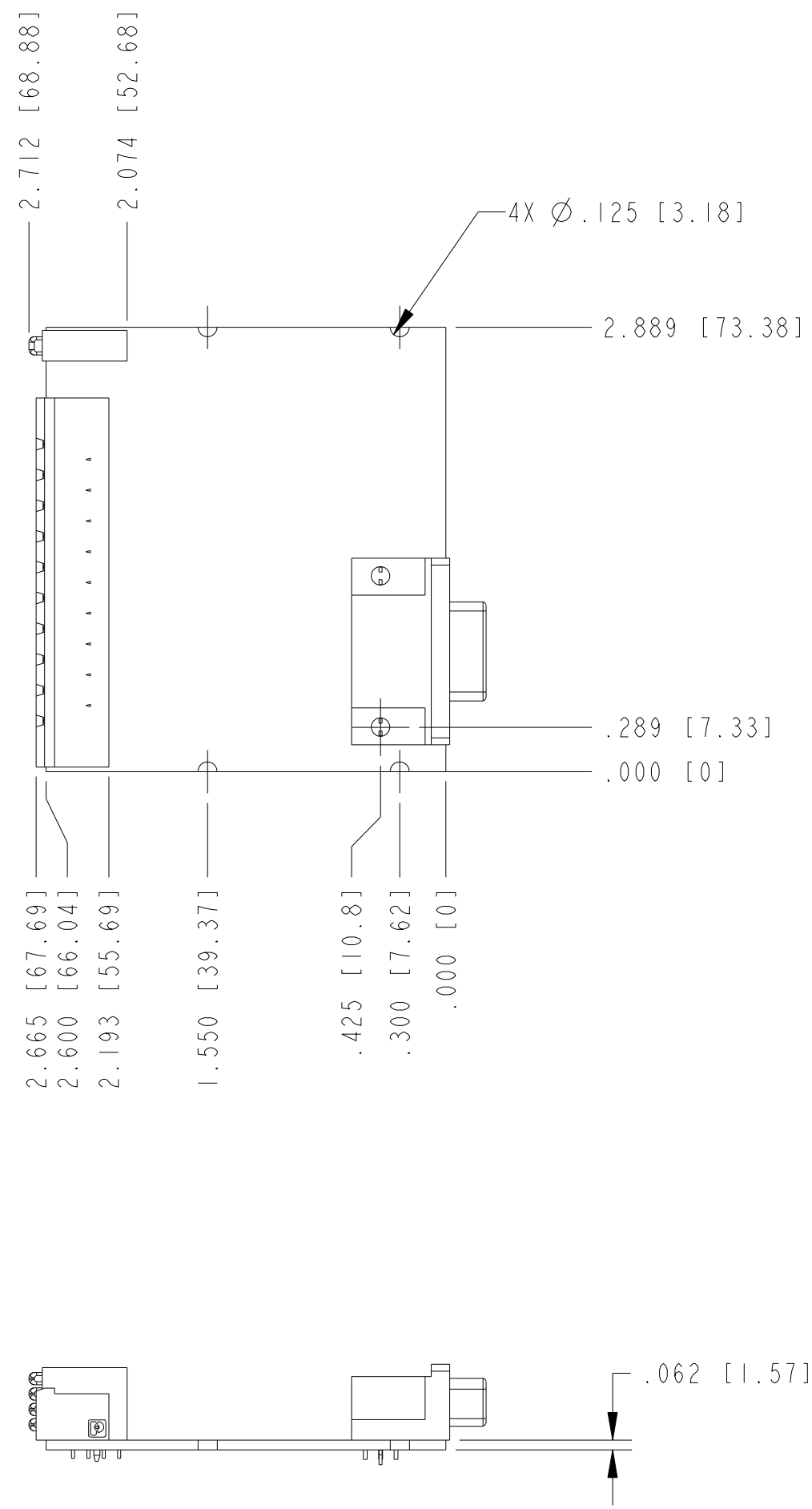
4

3

2

1

COPYRIGHT ©2010
NATIONAL INSTRUMENTS CORPORATION AND ITS LICENSORS. ALL RIGHTS RESERVED.

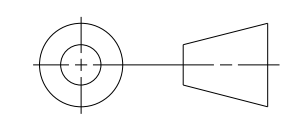


CUSTOMER DRAWING

UNLESS OTHERWISE SPECIFIED
DIMENSIONS ARE IN INCHES AND
[MILLIMETERS].

DO NOT SCALE DRAWING

THIRD ANGLE PROJECTION



NATIONAL INSTRUMENTS®		AUSTIN, TEXAS
TITLE		
10 POSITION SCREW TERMINAL W/ 4 LEDS CUSTOMER DRAWING		
SIZE	CODE IDENT NO.	MM/DD/YYYY
C	7U296	02/23/10
SCALE:	1/1	SHEET 1 OF 1

4

3

2

1

D

D

C

C

B

B

A

A