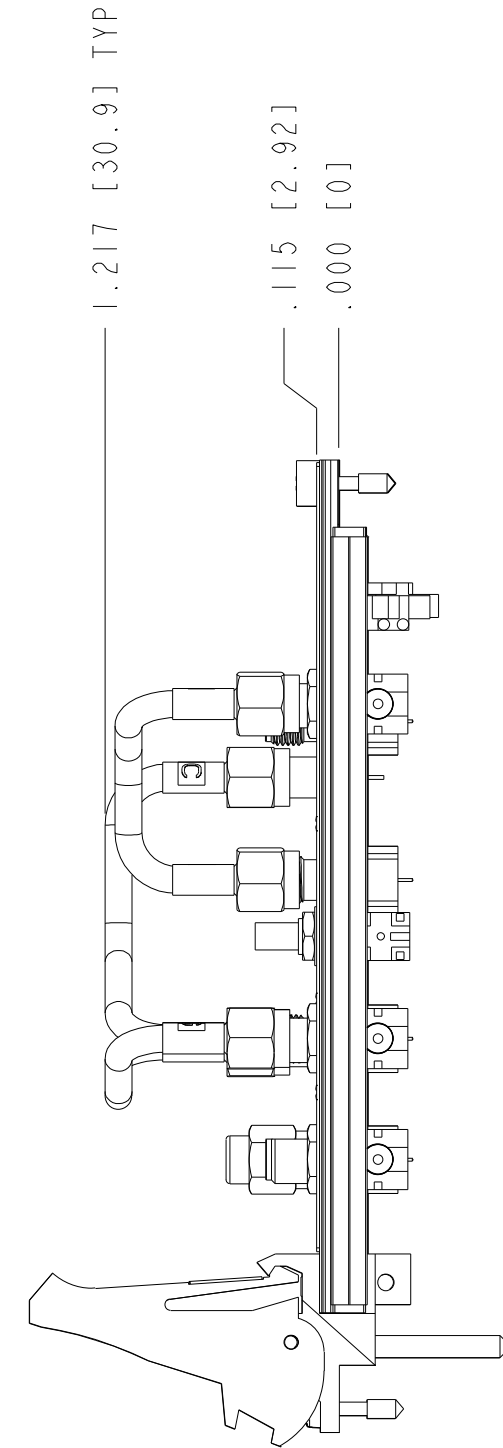
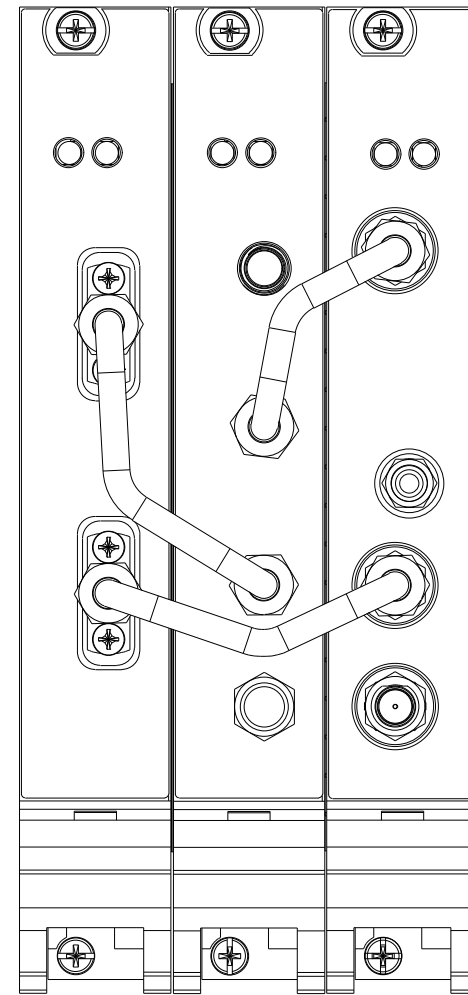

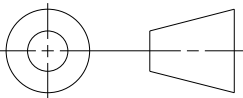


CABLES NOT SHOWN FOR CLARITY



CUSTOMER DRAWING

UNLESS OTHERWISE SPECIFIED DIMENSIONS ARE IN INCHES AND [MILLIMETERS].				AUSTIN, TEXAS	
DO NOT SCALE DRAWING		TITLE			
THIRD ANGLE PROJECTION		PX1e-5663			
		SIZE	CODE IDENT NO.	MM/DD/YYYY	
		B	7U296	09/18/09	
SCALE: 1/1		SHEET		OF	