

LOC	DIST	REVISIONS					
J		P	LTR	DESCRIPTION	DATE	DWN	APVD
		A		REVISED ECR-05-006575	12JUL05	J.Z	S.Y

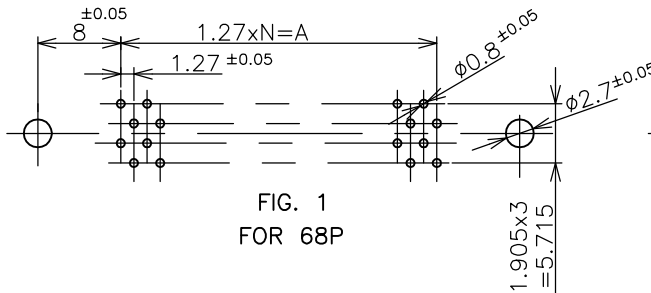
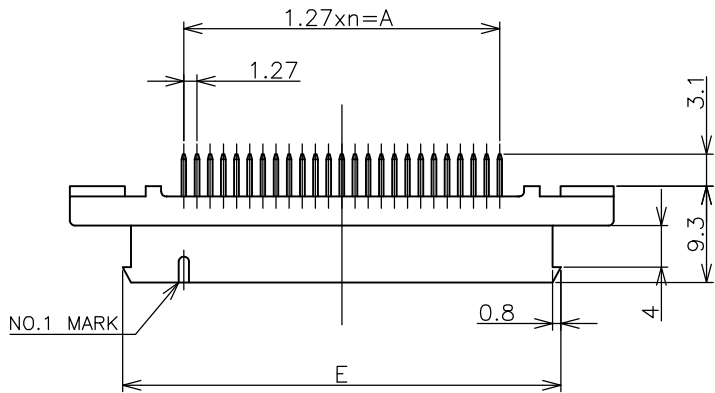


FIG. 1 FOR 68P

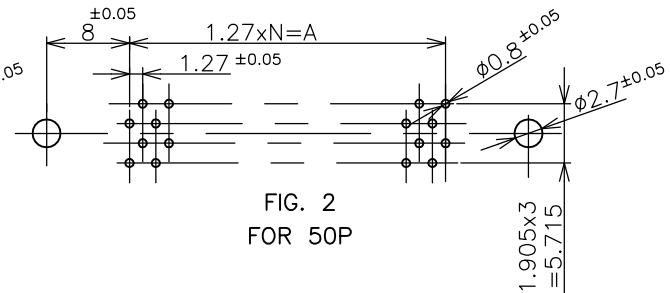
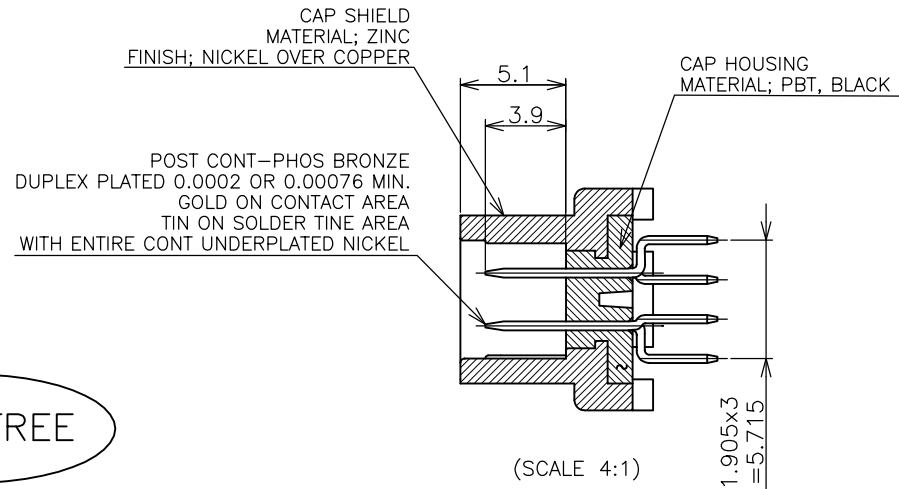
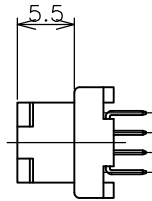
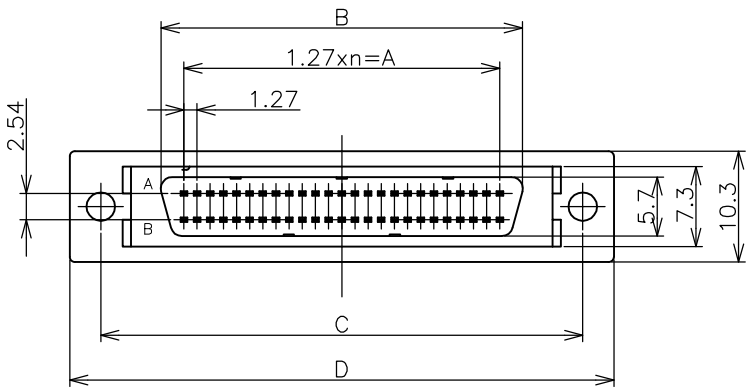
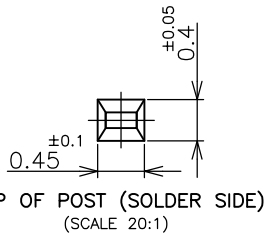


FIG. 2 FOR 50P



LEAD FREE



- P.C BOARD HOLE LAY-OUT AS SHOWN FIG.1 & 2.
- USED SCREW; M2.5x0.45 PANHEAD SCREW.

GENERAL TOLERANCE	68	33	41.91	46.28	57.9	63.9	53.71	0.00076 MIN	2-5174339-5
	50	24	30.48	34.85	46.5	52.5	42.28		2-5174339-4
	68	33	41.91	46.28	57.9	63.9	53.71	0.0002 MIN	5174339-5
	50	24	30.48	34.85	46.5	52.5	42.28		5174339-4
	POS	N	A	B	C	D	E	GOLD THK	PART NO.

THIS DRAWING IS A CONTROLLED DOCUMENT.		DWN Roy hao 17Aug04	<b>tyco</b> Electronics		Tyco Electronics Corporation Shanghai, P.R.China, 200233	
DIMENSIONS: mm		CHK Steven Yao 17Aug04				
TOLERANCES UNLESS OTHERWISE SPECIFIED:		APVD I.Enomoto 17Aug04	NAME CAP HEADER (VERTICAL/M2.5) AMPLIMITE .050 SERIES II CONN. TYPE B			
0 PLC ± - 1 PLC ± - 2 PLC ± - 3 PLC ± - 4 PLC ± - ANGLES ± -		PRODUCT SPEC 108-60037-1	SIZE A3	CAGE CODE 00779	DRAWING NO C-5174339	RESTRICTED TO
MATERIAL SEE ABOVE	FINISH SEE ABOVE	WEIGHT	CUSTOMER DRAWING		SCALE 1:1	SHEET 1 OF 1