

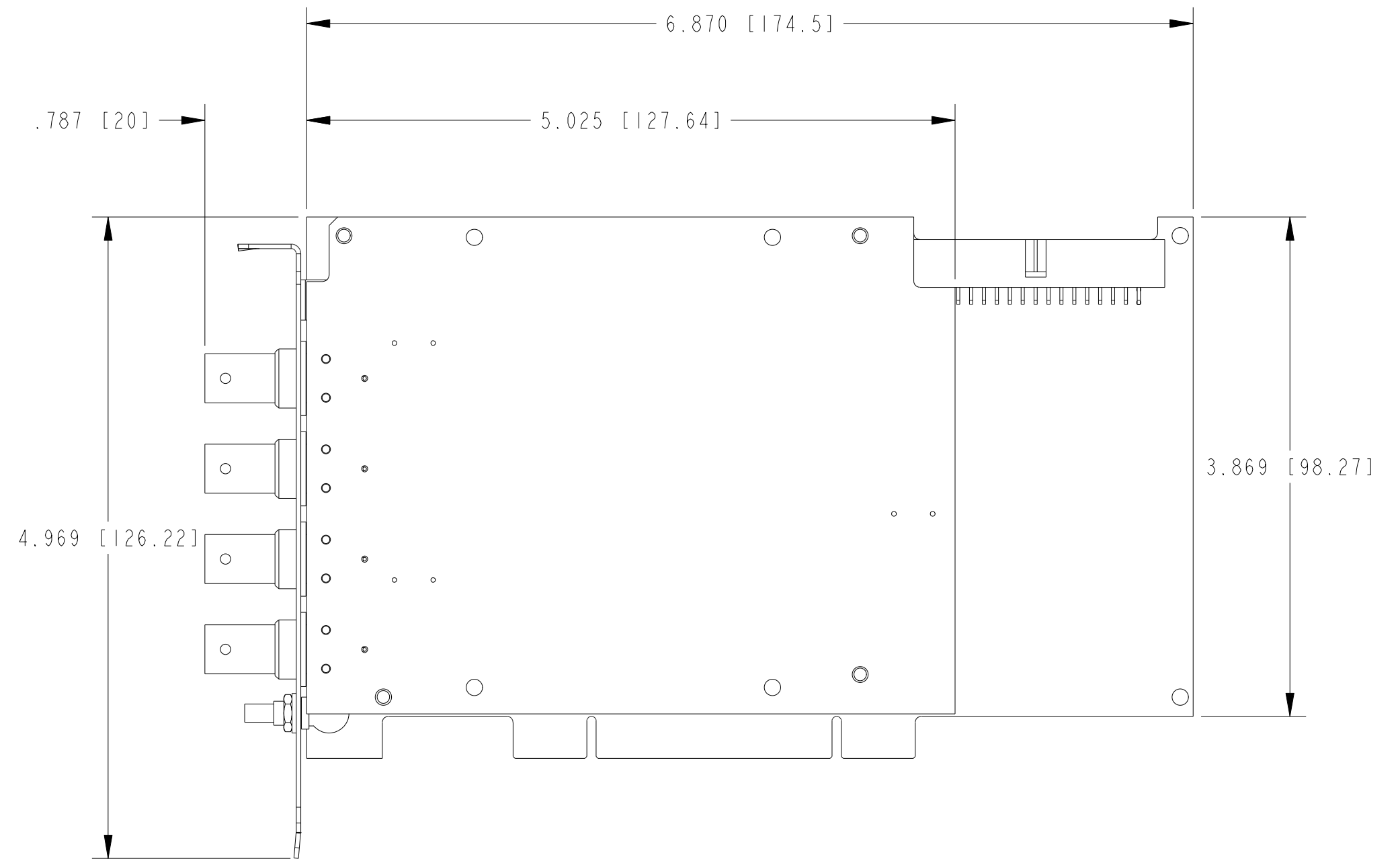
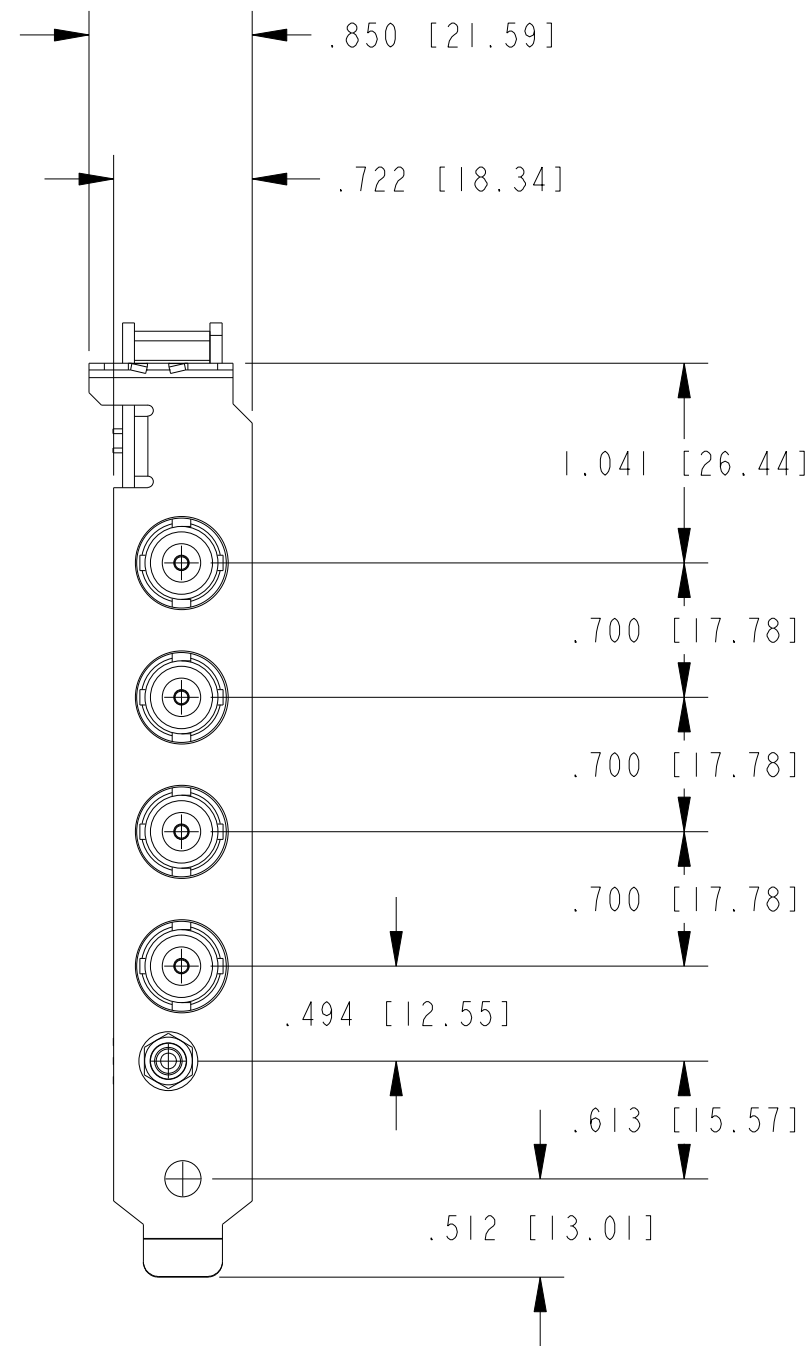
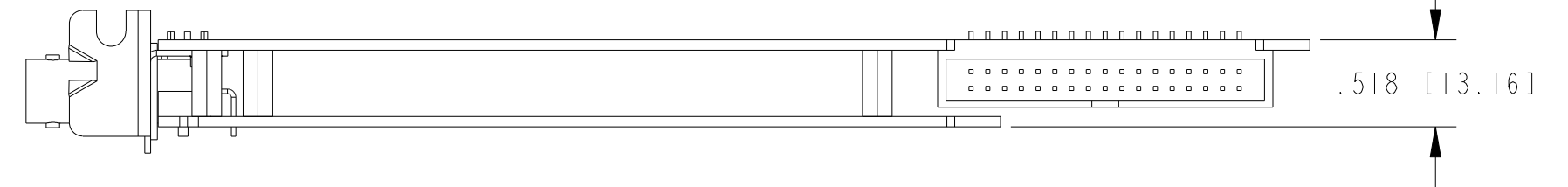
4

3

2

1

COPYRIGHT ©2008
NATIONAL INSTRUMENTS CORPORATION AND ITS LICENSORS. ALL RIGHTS RESERVED.

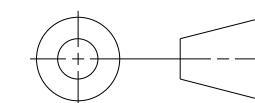


CUSTOMER DRAWING

UNLESS OTHERWISE SPECIFIED
DIMENSIONS ARE IN INCHES AND
[MILLIMETERS].

DO NOT SCALE DRAWING

THIRD ANGLE PROJECTION



AUSTIN, TEXAS

TITLE

NI PCI-4461, 24 BIT,
204.8 kS/s, 2 INPUTS/2 OUTPUTS

SIZE CODE IDENT NO. MM/DD/YYYY

C7U296

09/23/08

SCALE: 1/1

SHEET 1 OF 1

4

3

2

1

D

D

C

C

B

B

A

A