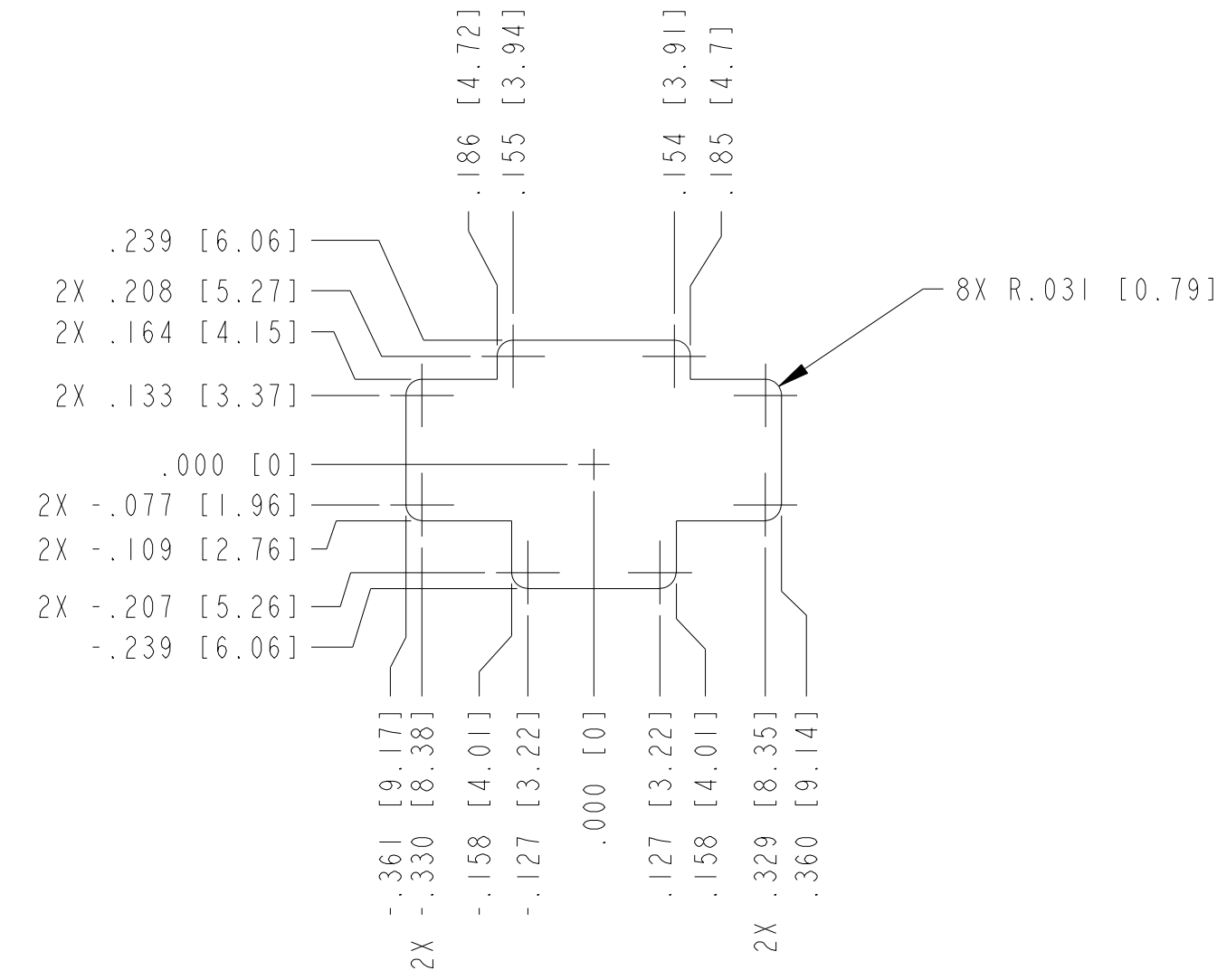
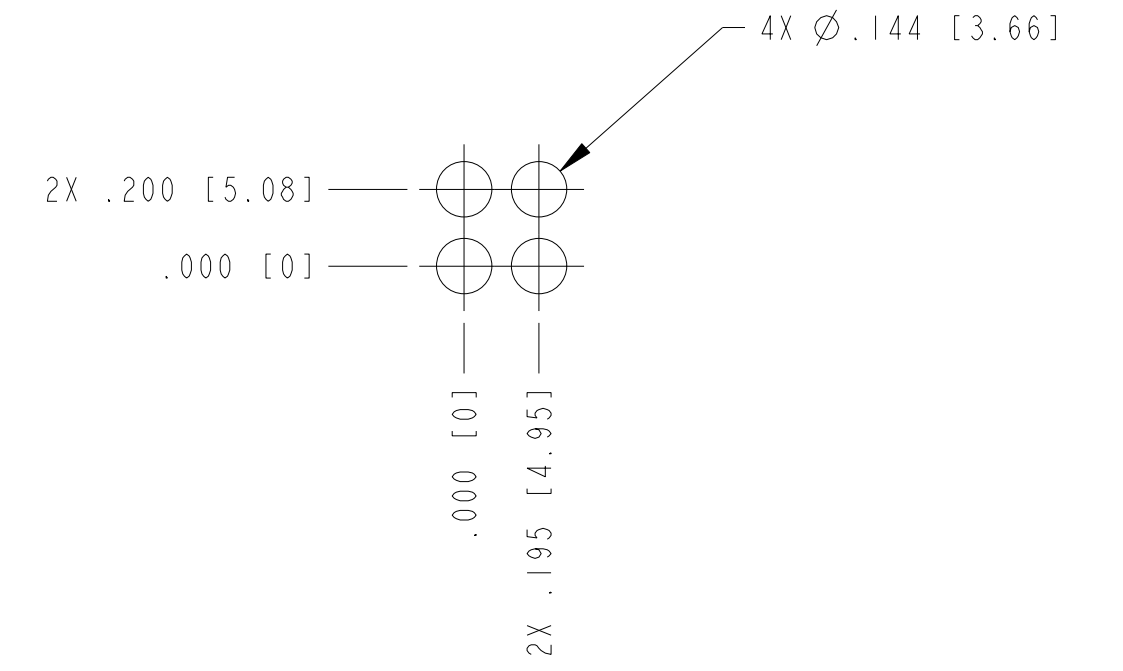


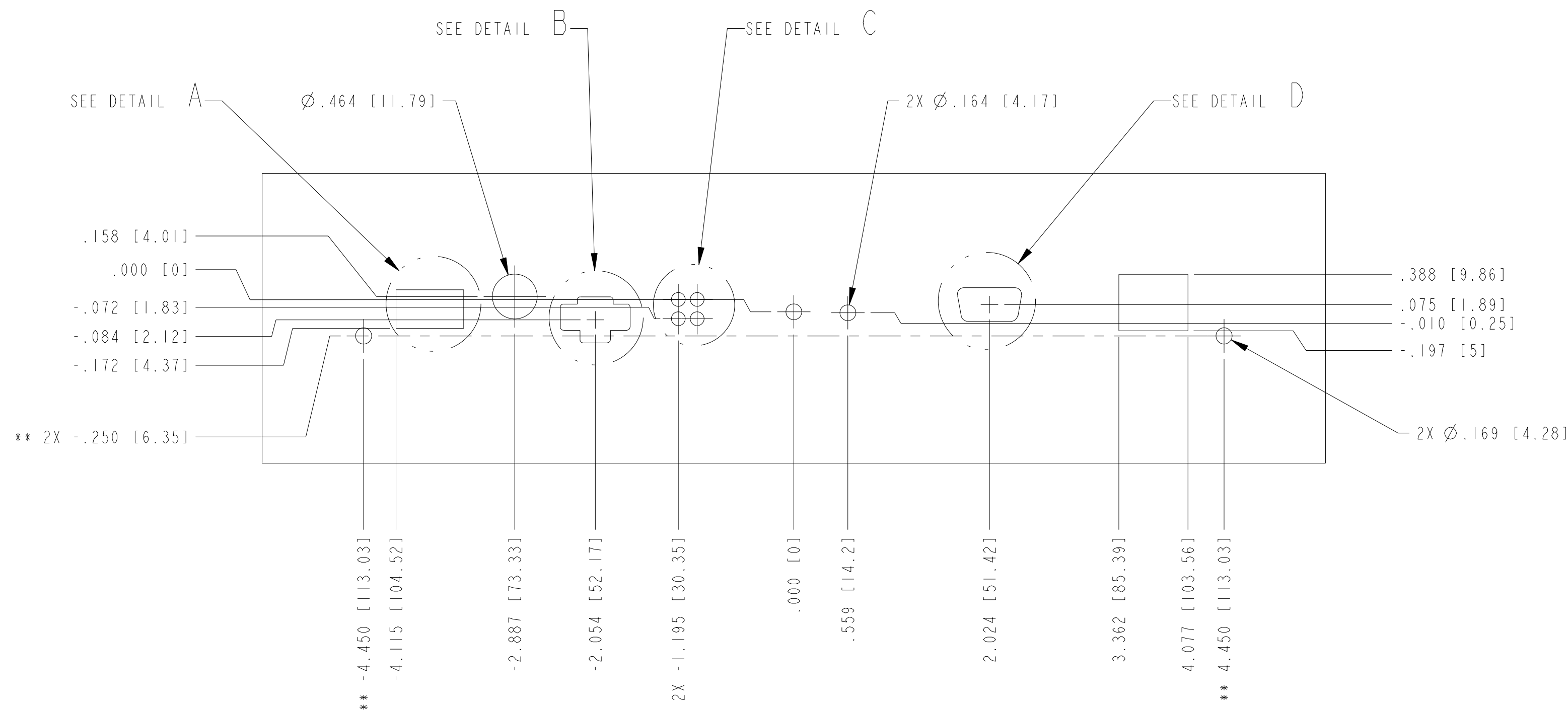
DETAIL A
 SCALE 2/1



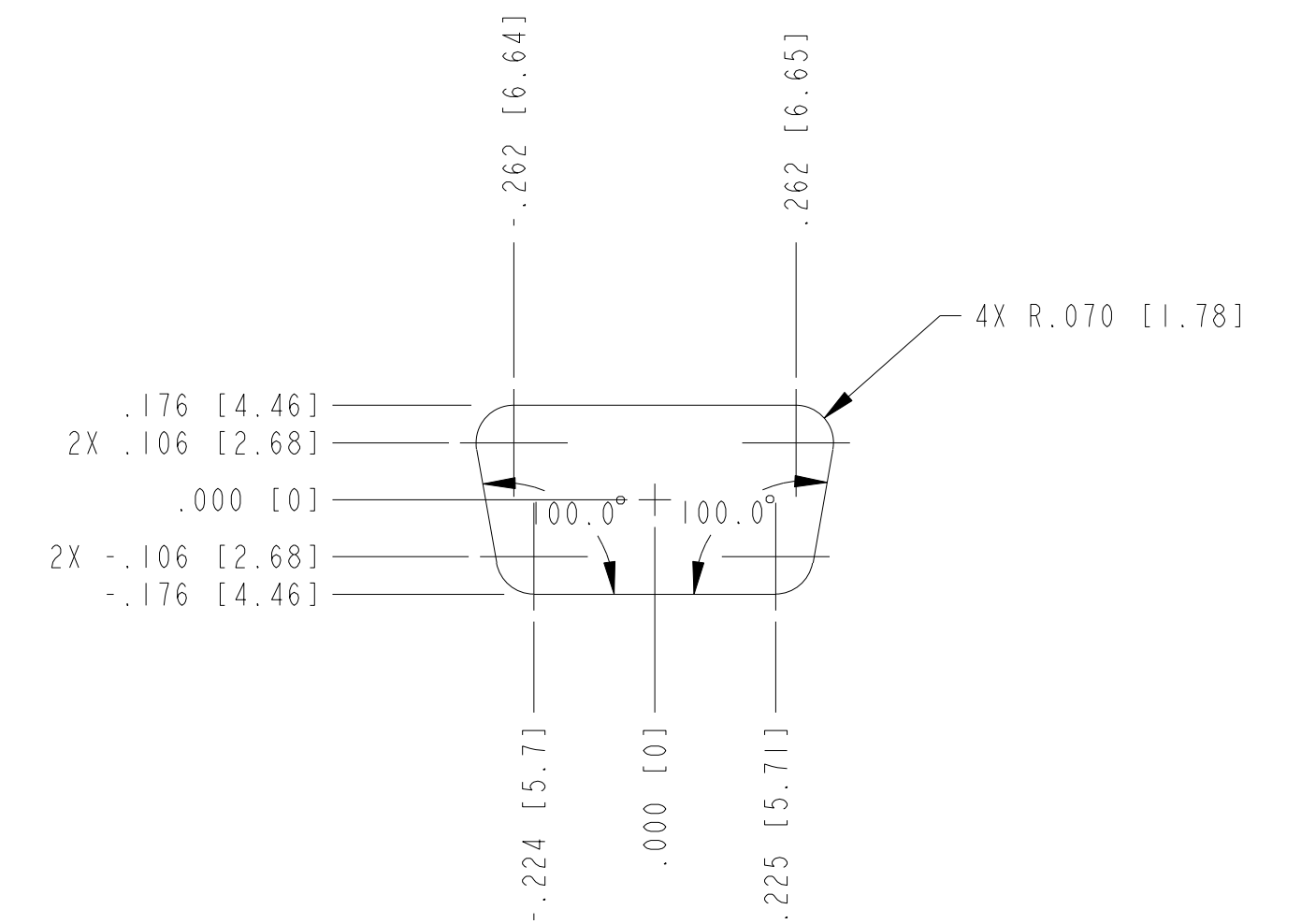
DETAIL B
 SCALE 3/1



DETAIL C
 SCALE 2/1



PANEL THICKNESS NOT TO EXCEED .125 [3.175]



DETAIL D
 SCALE 3/1

** - THESE TWO HOLES ARE ONLY NECESSARY WHEN USED WITH THE 969X STACKING KIT

WIDTH AND HEIGHT OF PLATE DEFINED BY END USER

UNLESS OTHERWISE SPECIFIED DIMENSIONS ARE IN INCHES AND [MILLIMETERS].	NATIONAL INSTRUMENTS® AUSTIN, TEXAS	
	TITLE	
DO NOT SCALE DRAWING THIRD ANGLE PROJECTION		CD 960X PANEL CUTOUT DIMENSIONS
	SIZE CODE IDENT NO MM/DD/YYYY	D 7U296 07/06/09
	SCALE: 1/1	SHEET 1 OF 1