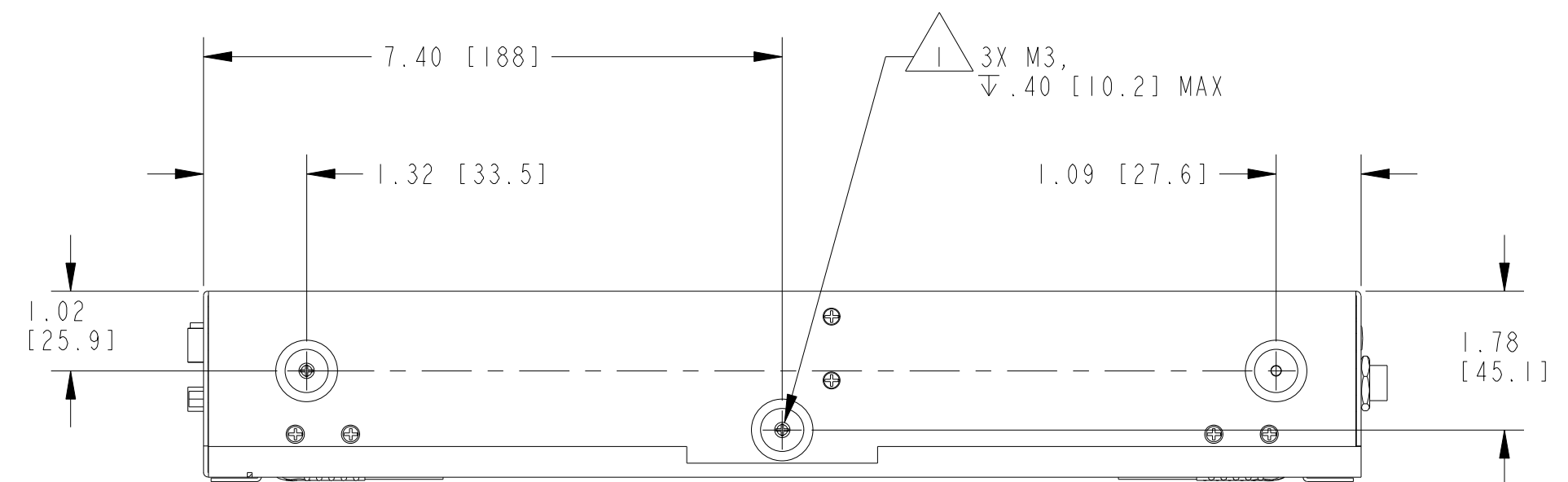
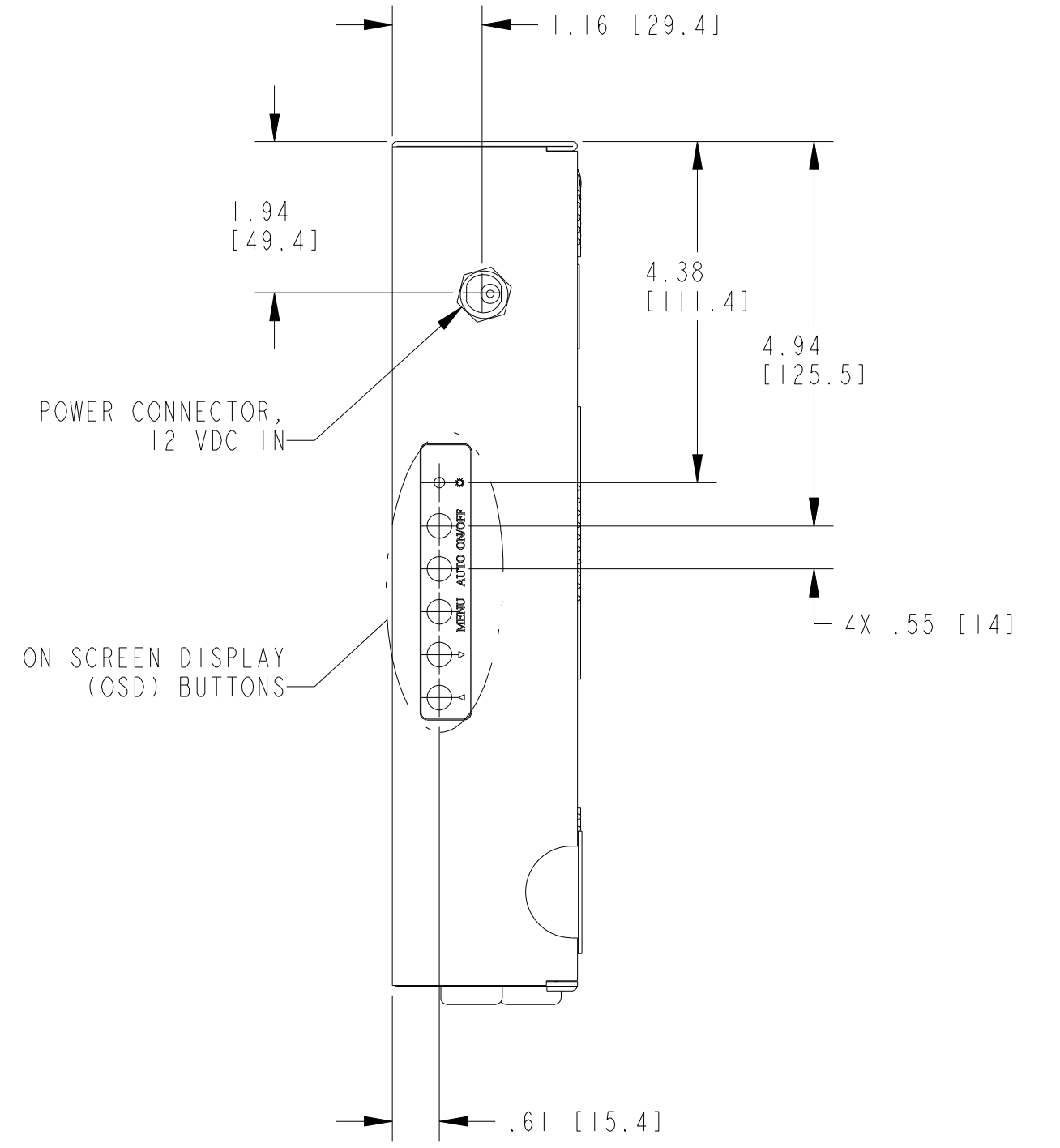
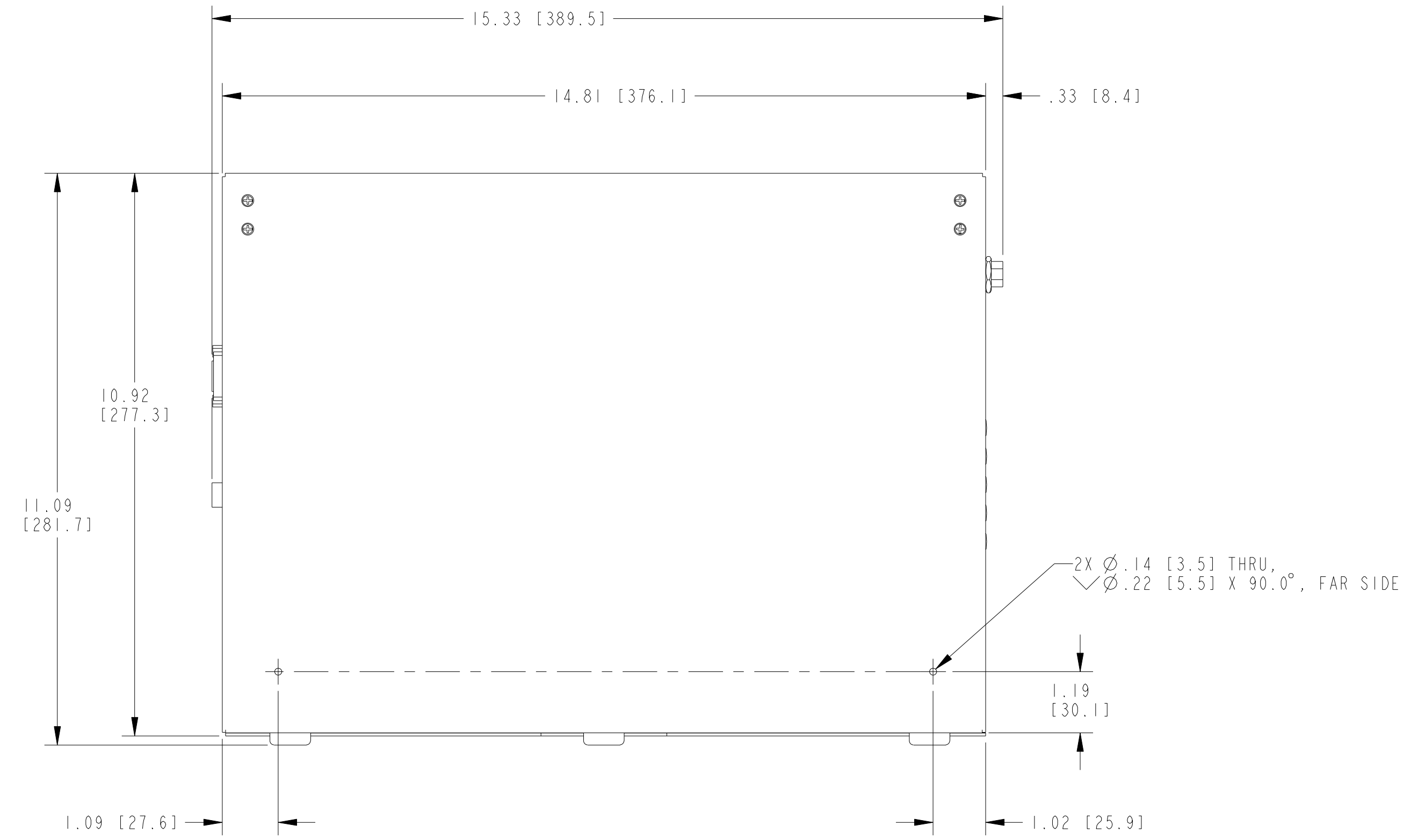
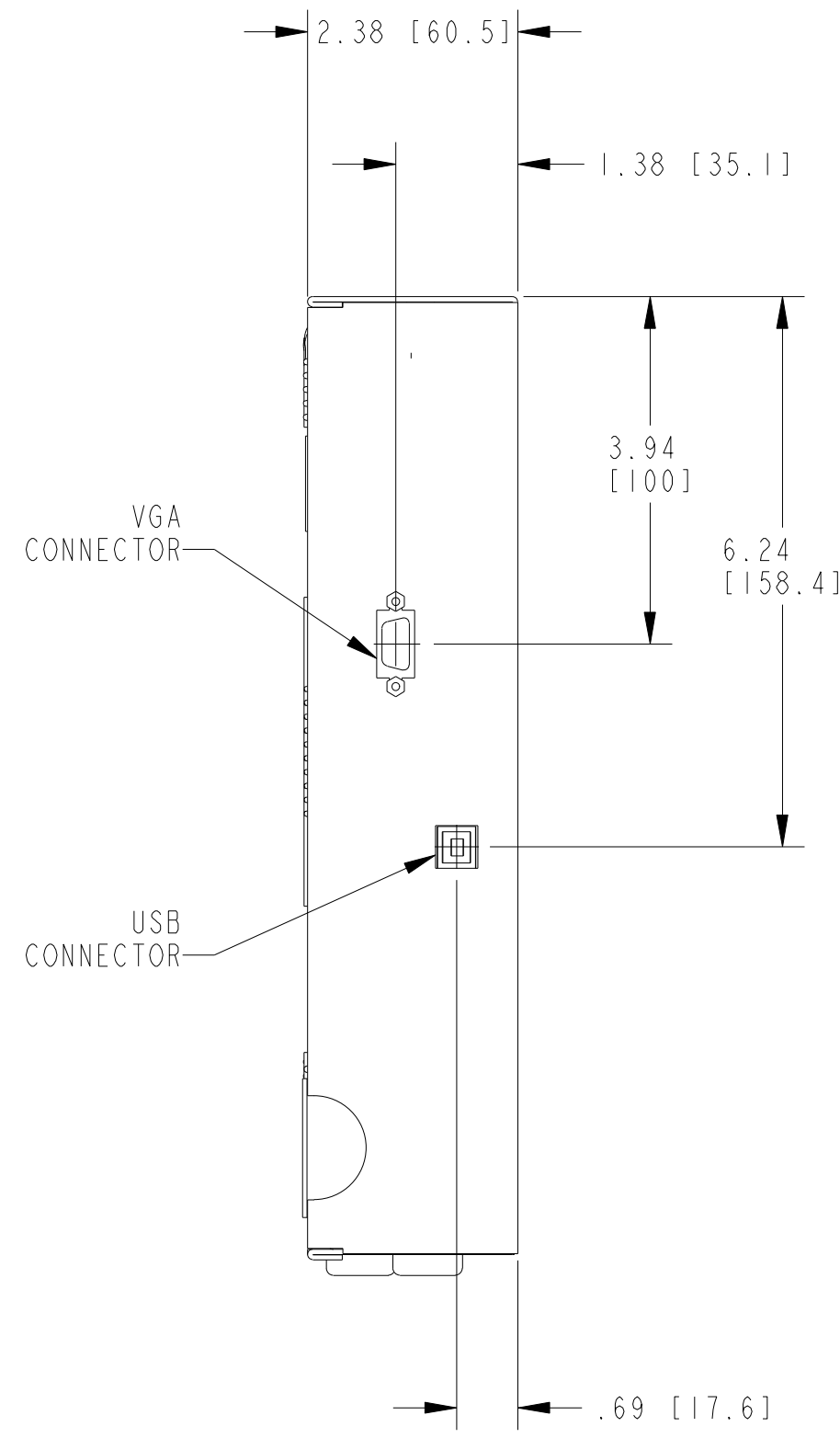
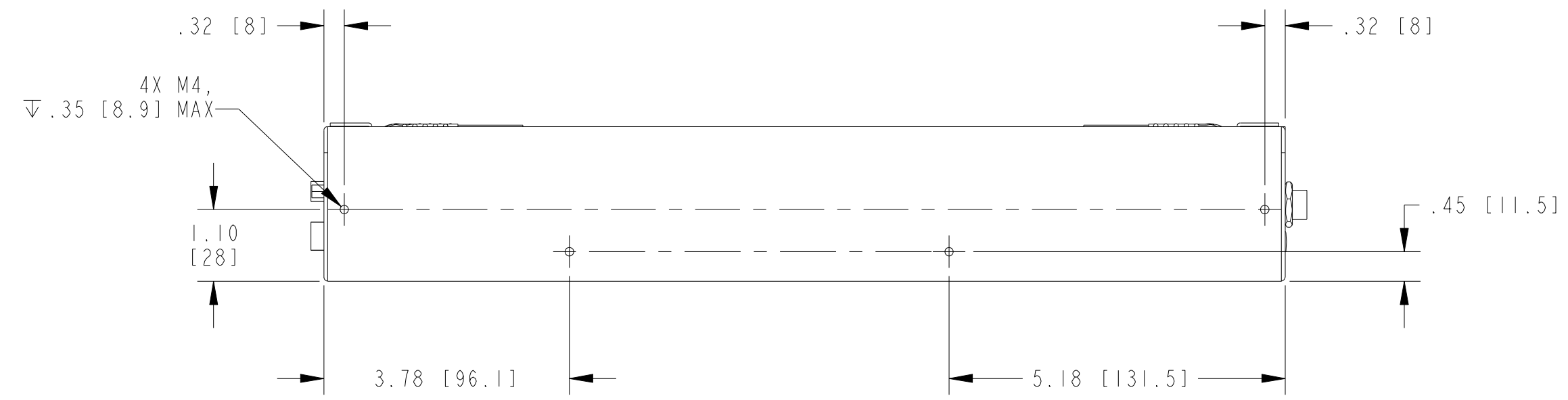


ISOMETRIC VIEW
 SCALE 1/4



2. REFER TO PRODUCT MANUAL ON NI.COM FOR MORE DETAILS.
 1. THREE M3 THREAD BOTTOM FEET MOUNTING HOLES MAY BE USED FOR MOUNTING MONITOR IN CUSTOM APPLICATIONS.
 NOTES: UNLESS OTHERWISE SPECIFIED.

UNLESS OTHERWISE SPECIFIED DIMENSIONS ARE IN INCHES AND [MILLIMETERS]. DO NOT SCALE DRAWING THIRD ANGLE PROJECTION 	NATIONAL INSTRUMENTS® AUSTIN, TEXAS TITLE
	CUSTOMER DRAWING, PMA-1115
	SIZE CODE IDENT NO MM/DD/YYYY D 7U296 03/31/2008
	SCALE: 1/2 SHEET 1 OF 1 CU-PMA-1115