

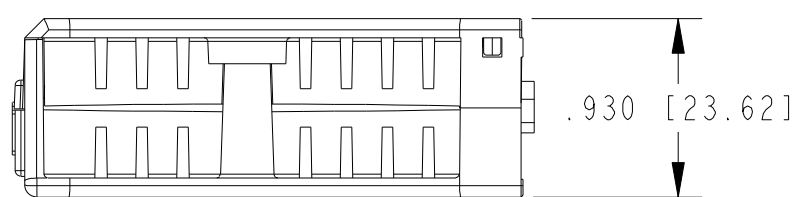
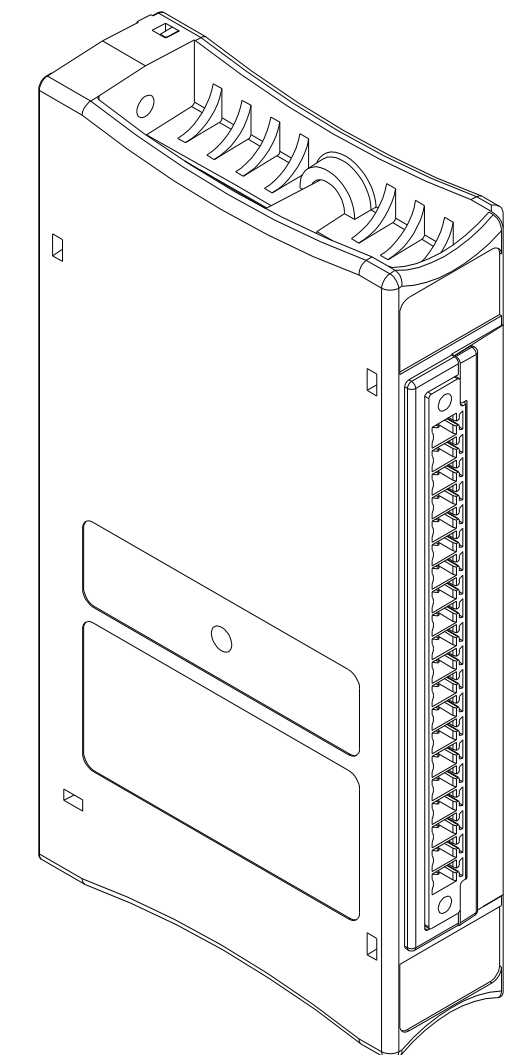
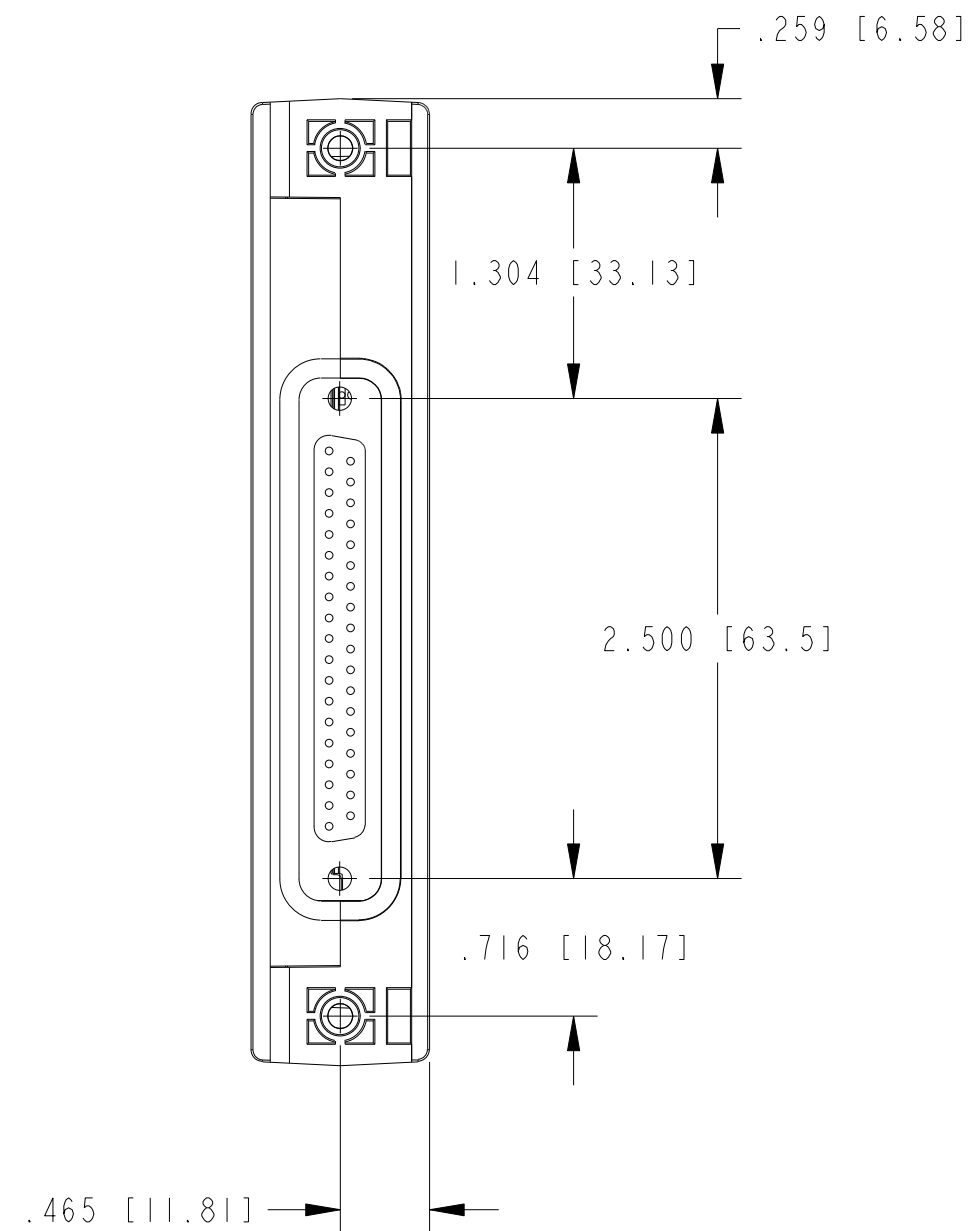
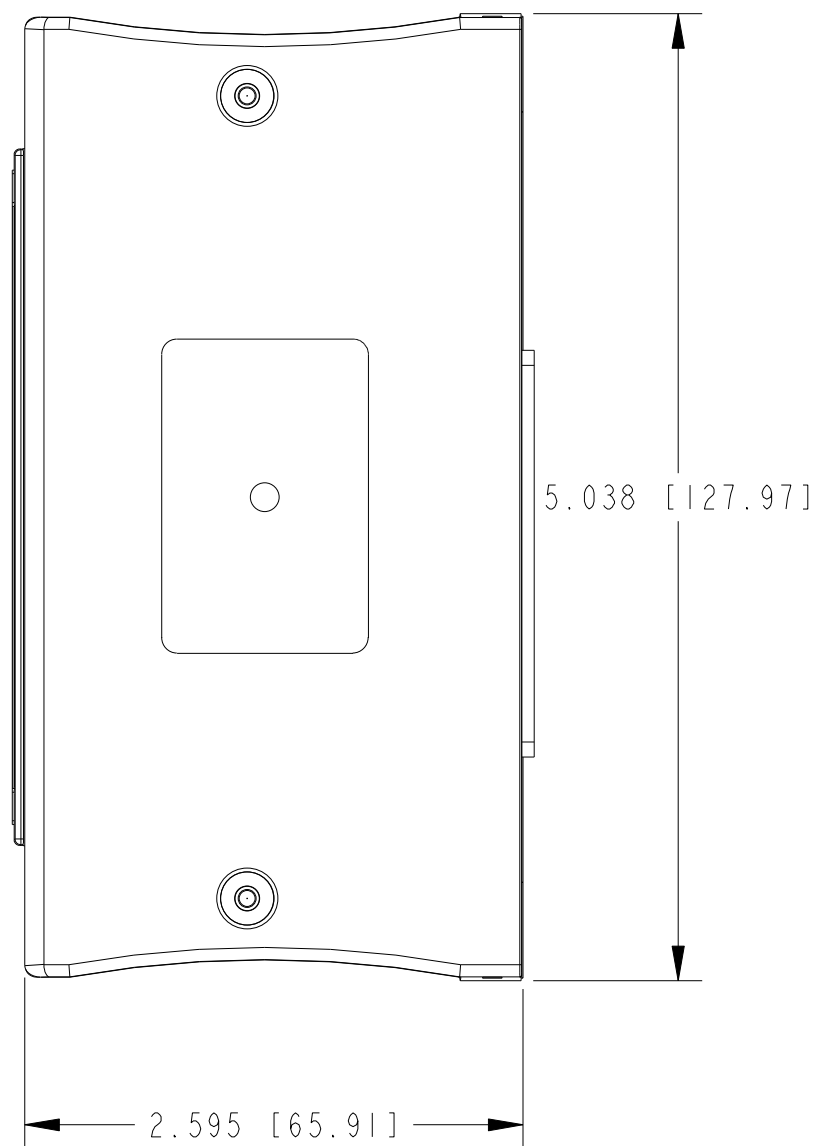
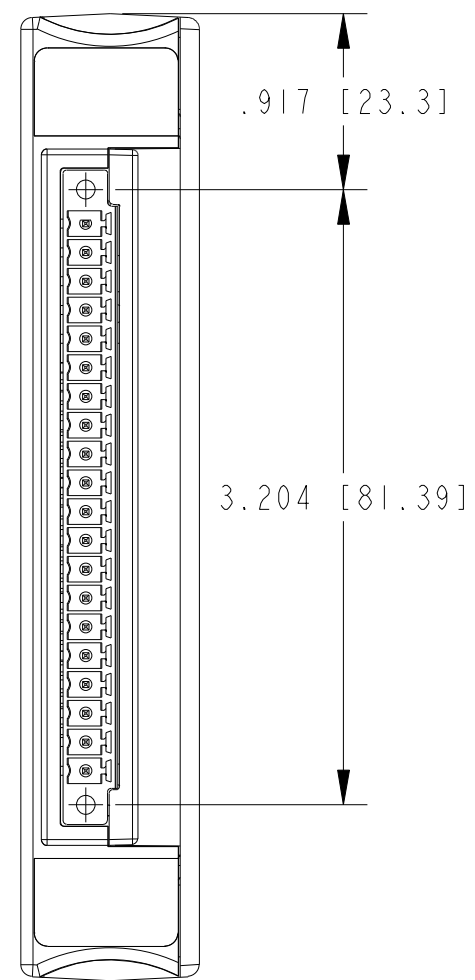
4

3

2

1

COPYRIGHT ©2008  
NATIONAL INSTRUMENTS CORPORATION AND ITS LICENSORS. ALL RIGHTS RESERVED.

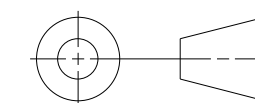


CUSTOMER DRAWING

UNLESS OTHERWISE SPECIFIED  
DIMENSIONS ARE IN INCHES AND  
[MILLIMETERS].

DO NOT SCALE DRAWING

THIRD ANGLE PROJECTION



AUSTIN, TEXAS

TITLE

NI CFP-CB-4 PROBEABLE CONNECTOR  
BLOCK WITH FRONT ACCESSIBILITY

SIZE CODE IDENT NO. MM/DD/YYYY

C7U296

06/26/08

SCALE: 1/1

SHEET 1 OF 1

CD\_CFP-CB4

4

3

2

1

D

D

C

C

B

B

A

A