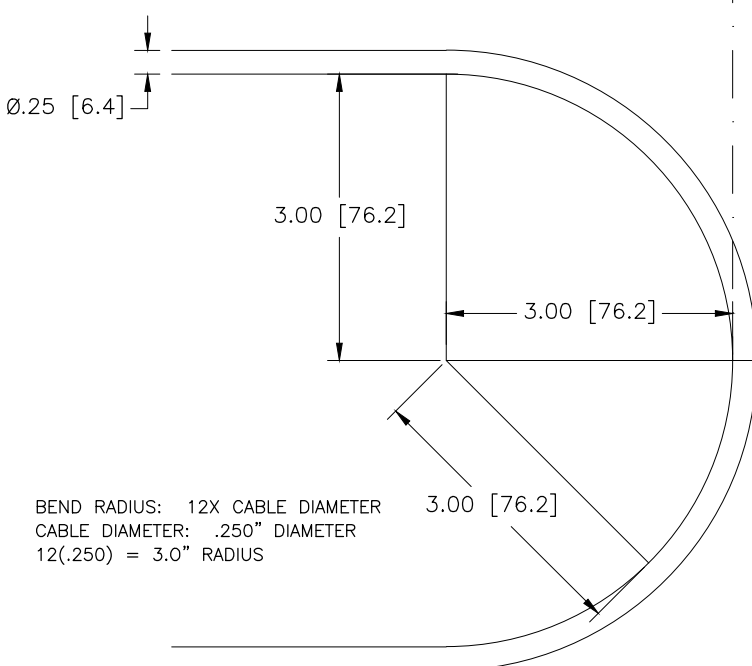
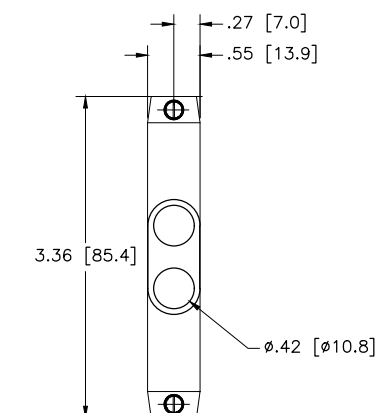
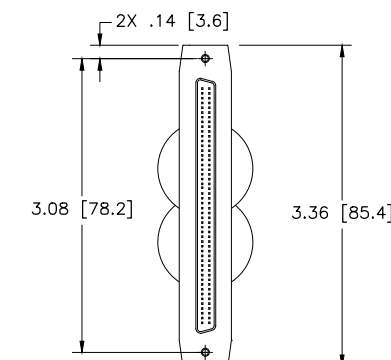
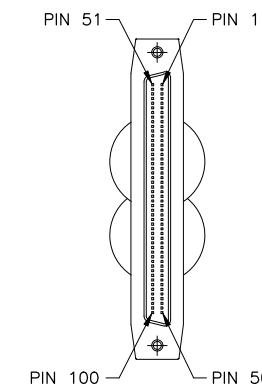
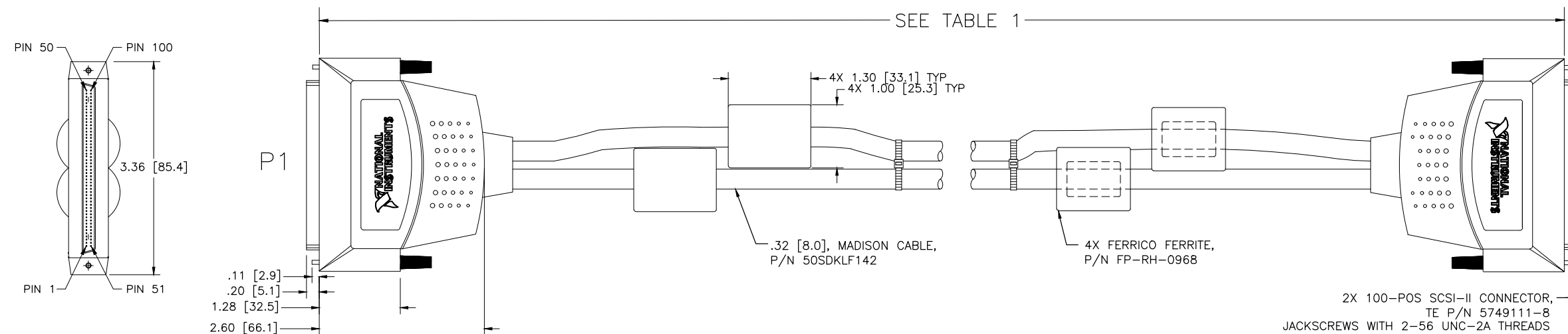


CUSTOMER DRAWING COMPATIBILITY			
REV	DESCRIPTION	DATE	APPROVED
A	DRAWING COMPATIBLE, OBSOLETE		
B	DRAWING COMPATIBLE, OBSOLETE		
C	DRAWING COMPATIBLE, OBSOLETE		
D	DRAWING COMPATIBLE, RELEASED		
E	DRAWING COMPATIBLE, RELEASED		



BEND RADIUS: 12X CABLE DIAMETER  
 CABLE DIAMETER: .250" DIAMETER  
 $12(.250) = 3.0"$  RADIUS

**BEND RADIUS EXAMPLE**

**WIRE LIST 1A**

P1 100-POS CONN.	MAIN COLOR/LINE COLOR	P2 100-POS CONN.
PIN NO	COLOR CODE	PIN NO
1	WHITE/TAN	1
51	TAN/WHITE	51
2	WHITE/BROWN	2
52	BROWN/WHITE	52
3	WHITE/PINK	3
53	PINK/WHITE	53
4	WHITE/ORANGE	4
54	ORANGE/WHITE	54
5	WHITE/YELLOW	5
55	YELLOW/WHITE	55
6	WHITE/GREEN	6
56	GREEN/WHITE	56
7	WHITE/BLUE	7
57	BLUE/WHITE	57
8	WHITE/VIOLET	8
58	VIOLET/WHITE	58
9	WHITE/GRAY	9
59	GRAY/WHITE	59
10	TAN/BROWN	10
60	BROWN/TAN	60
11	TAN/PINK	11
61	PINK/TAN	61
12	TAN/ORANGE	12
62	ORANGE/TAN	62
13	TAN/YELLOW	13
63	YELLOW/TAN	63
14	TAN/GREEN	14
64	GREEN/TAN	64
15	TAN/BLUE	15
65	BLUE/TAN	65
16	TAN/VIOLET	16
66	VIOLET/TAN	66
17	TAN/GRAY	17
67	GRAY/TAN	67
18	BROWN/PINK	18
68	PINK/BROWN	68
19	BROWN/ORANGE	19
69	ORANGE/BROWN	69
20	BROWN/YELLOW	20
70	YELLOW/BROWN	70
21	BROWN/GREEN	21
71	GREEN/BROWN	71
22	BROWN/BLUE	22
72	BLUE/BROWN	72
23	BROWN/VIOLET	23
73	VIOLET/BROWN	73
24	BROWN/GRAY	24
74	GRAY/BROWN	74
25	PINK/ORANGE	25
75	ORANGE/PINK	75
SHELL	INNER SHIELD	SHELL
SHELL	OUTER SHIELD	SHELL

**WIRE LIST 2A**

P1 100-POS CONN.	MAIN COLOR/LINE COLOR	P2 100-POS CONN.
PIN NO	COLOR CODE	PIN NO
26	WHITE/TAN	26
76	TAN/WHITE	76
27	WHITE/BROWN	27
77	BROWN/WHITE	77
28	WHITE/PINK	28
78	PINK/WHITE	78
29	WHITE/ORANGE	29
79	ORANGE/WHITE	79
30	WHITE/YELLOW	30
80	YELLOW/WHITE	80
31	WHITE/GREEN	31
81	GREEN/WHITE	81
32	WHITE/BLUE	32
82	BLUE/WHITE	82
33	WHITE/VIOLET	33
83	VIOLET/WHITE	83
34	WHITE/GRAY	34
84	GRAY/WHITE	84
35	TAN/BROWN	35
85	BROWN/TAN	85
36	TAN/PINK	36
86	PINK/TAN	86
37	TAN/ORANGE	37
87	ORANGE/TAN	87
38	TAN/YELLOW	38
88	YELLOW/TAN	88
39	TAN/GREEN	39
89	GREEN/TAN	89
40	TAN/BLUE	40
90	BLUE/TAN	90
41	TAN/VIOLET	41
91	VIOLET/TAN	91
42	TAN/GRAY	42
92	GRAY/TAN	92
43	BROWN/PINK	43
93	PINK/BROWN	93
44	BROWN/ORANGE	44
94	ORANGE/BROWN	94
45	BROWN/YELLOW	45
95	YELLOW/BROWN	95
46	BROWN/GREEN	46
96	GREEN/BROWN	96
47	BROWN/BLUE	47
97	BLUE/BROWN	97
48	BROWN/VIOLET	48
98	VIOLET/BROWN	98
49	BROWN/GRAY	49
99	GRAY/BROWN	99
50	PINK/ORANGE	50
100	ORANGE/PINK	100
SHELL	INNER SHIELD	SHELL
SHELL	OUTER SHIELD	SHELL

LENGTH	TOLERANCE
<2M	±5cm
2 TO 5M	±10cm
>5M	±15cm

**CONDUCTOR SPECIFICATIONS:**

CONDUCTOR: 28AWG 7/36 TIN PLATED COPPER, .015 INCH DIAMETER  
 INSULATION: .010 INCHES OF POLYPROPYLENE, .035 INCH DIAMETER

BEND RADIUS: 12X CABLE DIAMETER (SEE EXAMPLE) PER SPECIFICATIONS  
 2014 NEC SECTION 300.34 CONDUCTOR BEND RADIUS  
 2014 NEC SECTION 300.24 BENDING RADIUS

1. REFER TO PRODUCT MANUAL ON NI.COM FOR MORE DETAILS.

NOTES: UNLESS OTHERWISE SPECIFIED.

CUSTOMER DRAWING

UNLESS OTHERWISE SPECIFIED DIMENSIONS ARE IN INCHES AND [MILLIMETERS]

**NATIONAL INSTRUMENTS®** AUSTIN, TEXAS

TITLE: SH100-100-FLEX

DO NOT SCALE DRAWING  
 THIRD ANGLE PROJECTION

SIZE: D 7U296  
 CODE: 3/4  
 IDENT NO.: 07/30/20  
 DRAWING NO.: 07/30/20  
 SHEET 1 OF 1