

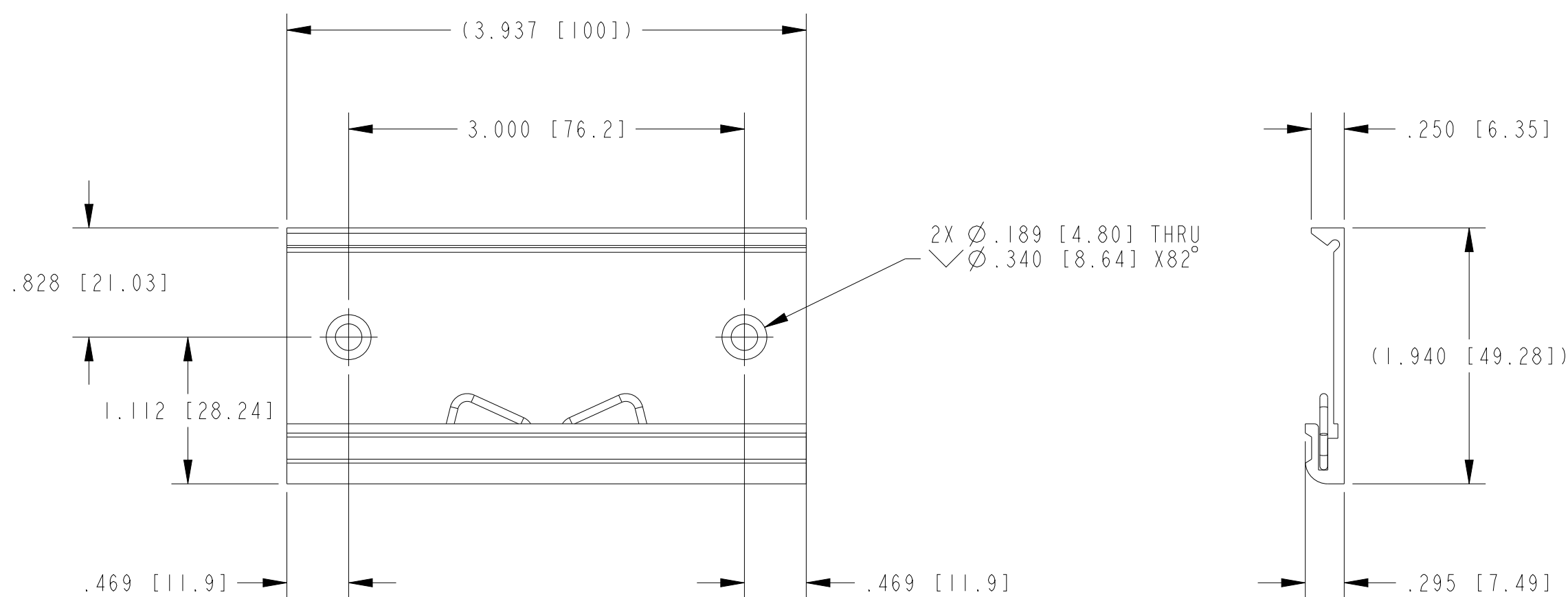
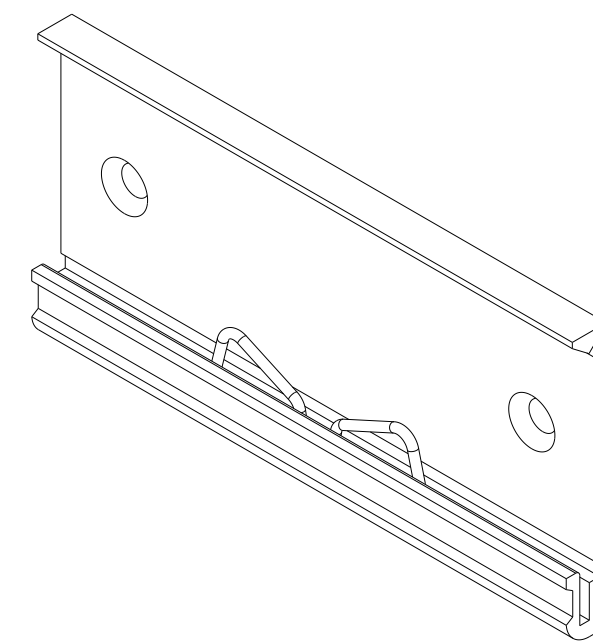
4

3

2

1

COPYRIGHT ©2016
NATIONAL INSTRUMENTS CORPORATION AND ITS LICENSORS. ALL RIGHTS RESERVED.

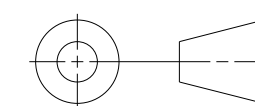


CUSTOMER DRAWING

UNLESS OTHERWISE SPECIFIED
DIMENSIONS ARE IN INCHES AND
[MILLIMETERS].

DO NOT SCALE DRAWING

THIRD ANGLE PROJECTION



AUSTIN, TEXAS

TITLE

DIN RAIL CLIP FOR
COMPACT FIELDPOINT

SIZE CODE IDENT NO. MM/DD/YYYY

C 7U296

02/15/2016

SCALE: 1/1

SHEET 1 OF 1

CU_CFP_CLIP_DIN_RAIL

- 2. DIMENSIONS IN () ARE FOR REFERENCE ONLY.
 - 1. REFER TO PRODUCT MANUAL ON NI.COM FOR MORE DETAILS
- NOTES: UNLESS OTHERWISE SPECIFIED.

4

3

2

1